







# ROWA-TECH

- A**  **ROLLER CHAINS**  
Rollenketten  
Łańcuchy rolkowe napędowe
- B**  **"FLYER" LEAF CHAINS**  
"Flyer" ketten  
Łańcuchy płytkowe "Flyer'a"
- C**  **BICYCLE CHAINS**  
Fahrradketten  
Łańcuchy rowerowe
- D**  **DRIVING CHAINS**  
Autoindustrieketten  
Łańcuchy motoryzacyjne
- E**  **"S" TYPE ROLLER CHAINS**  
Rollenketten type "S"  
Łańcuchy rolkowe typu "S"
- F**  **DOUBLE PITCH CHAINS**  
Langgliedrige ketten  
Łańcuchy o podwójnej podziałce



## CHAINS WITH ANTICORROSIVE COATING

Rostfreie ketten  
Łańcuchy o powłoce antykorozyjnej



**G**

**ACID-PROOF CHAINS**  
Saurewiderstandsfähig ketten  
Łańcuchy kwasoodporne



**H**

**SELF LUBE BUSH CHAINS**  
Selbstschmierende buxsenketten  
Łańcuch z tulejkami samosmarnymi



**I**

**HOLLOW PIN CHAINS**  
Hohlbolzenkette  
Łańcuchy ze sworzniami rurkowymi



**J**

**SPECIAL CHAINS**  
Spezialketten  
Łańcuchy specjalne

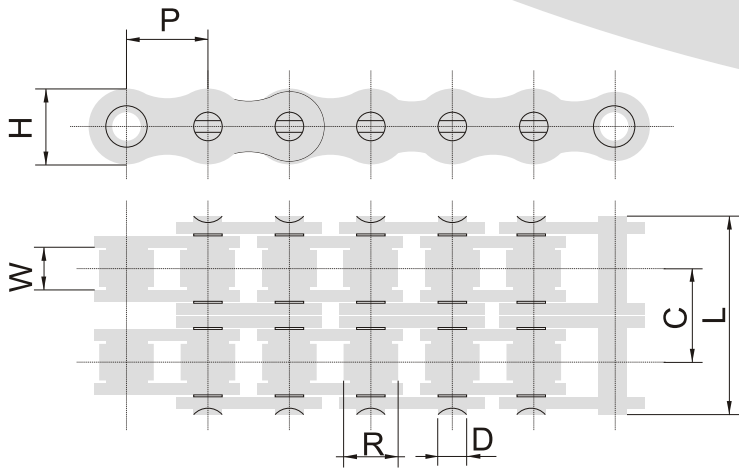
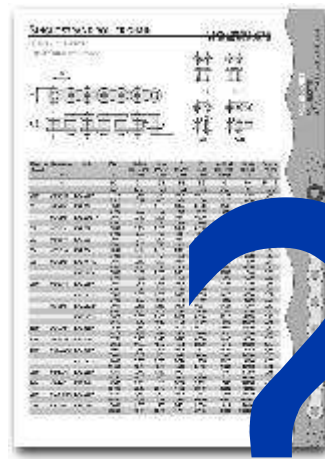


**K**

**STOCK SPROCKETS**  
Ketteräder  
Koła łańcuchowe



**L**



|           |                  |              |                      |
|-----------|------------------|--------------|----------------------|
| <b>P</b>  | Pitch            | Teilung      | Podziałka            |
| <b>T</b>  | Plate thickness  | Lashenstärke | Grubość płytki       |
| <b>H</b>  | Height           | Höhe         | Wysokość             |
| <b>D</b>  | Pin Dia. / Ø     | Bolzen Ø     | Średnica sworznia    |
| <b>L</b>  | Pin length       | Bolzenlänge  | Długość sworznia     |
| <b>FB</b> | Tensile strength | Bruchkraft   | Obciążenie zrywające |
| <b>q</b>  | Approx. Weight   | Gewicht      | Przybliżona waga     |
| <b>R</b>  | Roller Dia. / Ø  | Rollen Ø     | Średnica rolki       |
| <b>C</b>  | Traverse pitch   | Querteilung  | Rozstaw osi          |
| <b>W</b>  | Width            | Lichte Weite | Wymiar roboczy       |

|             |                   |        |                                   |
|-------------|-------------------|--------|-----------------------------------|
| <b>[in]</b> | 1 in = 25,4 mm    | ANSI   | inch / Zoll / cal                 |
| <b>[mm]</b> | 1 mm = 0,03937 in | Metric | millimetre / Millimetr / milimetr |

|               |                   |      |                      |
|---------------|-------------------|------|----------------------|
| <b>[ft.]</b>  | 1 ft = 0,3048 m   | ANSI | foot / Fuß / stopa   |
| <b>[lbs.]</b> | 1 lbs = 0,4536 kG | ANSI | pound / Pfund / funt |

|               |                       |        |                          |
|---------------|-----------------------|--------|--------------------------|
| <b>[N]</b>    | 1 N = 0,2247 lbs      | Metric | newton / Newton / niuton |
| <b>[kg/m]</b> | 1 kg/m = 0,672 lbs/ft | Metric |                          |



# ROLLER CHAINS

Rollenketten  
Łańcuchy rolkowe napędowe

# A

# A

## ROLLER CHAINS

### Rollenketten Łańcuchy rolkowe napędowe

#### Contents

#### Page

##### *European standard (Metric)*

|  |              |
|--|--------------|
| <b>Single strand roller chains</b>                         | <b>A - 1</b> |
| <b>Duplex strand roller chains</b>                         | <b>A - 2</b> |
| <b>Triplex strand roller chains</b>                        | <b>A - 3</b> |
| <b>Single strand roller chains</b> (straight side plates)  | <b>A - 4</b> |
| <b>Duplex strand roller chains</b> (straight side plates)  | <b>A - 5</b> |
| <b>Triplex strand roller chains</b> (straight side plates) | <b>A - 6</b> |

##### *American standard (ANSI)*

|  |               |
|--|---------------|
| <b>Single strand roller chains</b>                       | <b>A - 7</b>  |
| <b>Duplex strand roller chains</b>                       | <b>A - 8</b>  |
| <b>Triplex strand roller chains</b>                      | <b>A - 9</b>  |
| <b>Quadruple strand roller chains</b>                    | <b>A - 10</b> |
| <b>Single strand roller chains</b> (COT type)            | <b>A - 11</b> |
| <b>Duplex strand roller chains</b> (COT type)            | <b>A - 12</b> |
| <b>Triple, Quadruple strand roller chains</b> (COT type) | <b>A - 13</b> |
| <b>Single strand roller chains</b> (strengthened)        | <b>A - 14</b> |
| <b>Duplex strand roller chains</b> (strengthened)        | <b>A - 15</b> |
| <b>Triple strand roller chains</b> (strengthened)        | <b>A - 16</b> |
| <b>Single strand roller chains</b> (strengthened)        | <b>A - 17</b> |
| <b>Duplex strand roller chains</b> (strengthened)        | <b>A - 18</b> |
| <b>Triple strand roller chains</b> (strengthened)        | <b>A - 19</b> |
| <b>Single strand roller chains</b> (strengthened)        | <b>A - 20</b> |
| <b>Duplex strand roller chains</b> (strengthened)        | <b>A - 21</b> |
| <b>Triple strand roller chains</b> (strengthened)        | <b>A - 22</b> |

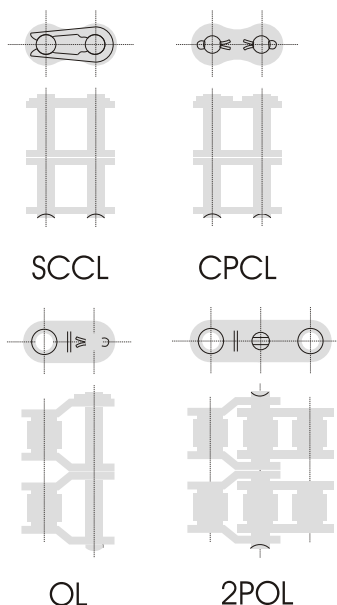
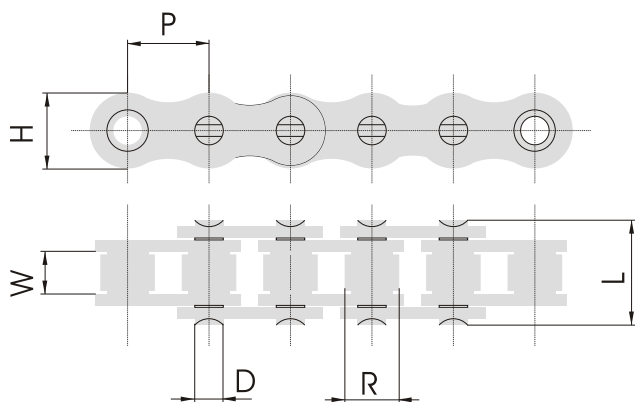
# SINGLE STRAND ROLLER CHAINS

EUROPEAN STANDARD (METRIC)

EINFACH-ROLLENKETTEN

ISO 606, DIN 8187, PN/M-84168

JEDNORZĘDOWE (PŁYTKI ÓSEMkowe)



| Chain No.<br>ISO/DIN | Dimensions<br>P x W | Model              | Pitch<br>P | Working<br>dimensions<br>W min | Roller<br>dia. / Ø<br>R max | Pin<br>dia. / Ø<br>D max | Pin<br>length<br>L max | Height of<br>plate links<br>H max | Tensile<br>strength<br>F <sub>B</sub> min. | Approx.<br>weight<br>q |
|----------------------|---------------------|--------------------|------------|--------------------------------|-----------------------------|--------------------------|------------------------|-----------------------------------|--|------------------------|
|                      |                     |                    |            |                                |                             |                          |                        |                                   |  |                        |
|                      |                     |                    | [mm]       | [mm]                           | [mm]                        | [mm]                     | [mm]                   | [mm]                              | [N]  | [kg/m]                 |
| 06B-1                | 3/8"x7"             | <b>KAZ 06B-1</b>   | 0,375      | 0,225                          | 0,250                       | 0,129                    | 0,504                  | 0,325                             | 2 045                                      | 0,24                   |
|                      |                     |                    | 9,525      | 5,72                           | 6,35                        | 3,28                     | 12,80                  | 8,25                              | 9 100                                      | 0,36                   |
| 081                  | 1/2"x1/8"           | <b>KAZ 081</b>     | 0,500      | 0,130                          | 0,305                       | 0,144                    | 0,370                  | 0,346                             | 1 840                                      | 0,18                   |
|                      |                     |                    | 12,700     | 3,30                           | 7,75                        | 3,66                     | 9,40                   | 8,80                              | 8 200                                      | 0,26                   |
|                      | 1/2"x1/8"           | <b>KAZ 081X1-1</b> | 0,500      | 0,130                          | 0,305                       | 0,144                    | 0,370                  | 0,390                             | 2 250                                      | 0,20                   |
|                      |                     |                    | 12,700     | 3,30                           | 7,75                        | 3,66                     | 9,40                   | 9,90                              | 10 000                                     | 0,30                   |
| 082                  | 1/2"x3/32"          | <b>KAZ 082</b>     | 0,500      | 0,094                          | 0,305                       | 0,143                    | 0,315                  | 0,390                             | 2 250                                      | 0,18                   |
|                      |                     |                    | 12,700     | 2,38                           | 7,75                        | 3,64                     | 8,00                   | 9,90                              | 10 000                                     | 0,26                   |
| 083                  | 1/2"x3/16"          | <b>KAZ 083</b>     | 0,500      | 0,192                          | 0,305                       | 0,161                    | 0,504                  | 0,390                             | 2 700                                      | 0,27                   |
|                      |                     |                    | 12,700     | 4,88                           | 7,75                        | 4,09                     | 12,80                  | 9,90                              | 12 000                                     | 0,40                   |
| 084                  | 1/2"x3/16"          | <b>KAZ 084</b>     | 0,500      | 0,192                          | 0,305                       | 0,161                    | 0,555                  | 0,390                             | 3 600                                      | 0,32                   |
|                      |                     |                    | 12,700     | 4,88                           | 7,75                        | 4,09                     | 14,10                  | 9,90                              | 16 000                                     | 0,47                   |
| 085                  | 1/2"x1/4"           | <b>KAZ 41 RIV</b>  | 0,500      | 0,250                          | 0,306                       | 0,141                    | 0,531                  | 0,390                             | 1 500                                      | 0,27                   |
|                      |                     |                    | 12,700     | 6,35                           | 7,77                        | 3,58                     | 13,50                  | 9,90                              | 6 700                                      | 0,40                   |
|                      |                     | <b>KAZ 08X3-1</b>  | 0,500      | 0,192                          | 0,305                       | 0,161                    | 0,441                  | 0,390                             | 1 910                                      | 0,22                   |
|                      |                     |                    | 12,700     | 4,88                           | 7,75                        | 4,09                     | 11,20                  | 9,90                              | 8 500                                      | 0,33                   |
| 08B-1                | 1/2"x5/16"          | <b>KAZ 08B-1</b>   | 0,500      | 0,305                          | 0,335                       | 0,175                    | 0,645                  | 0,425                             | 4 090                                      | 0,43                   |
|                      |                     |                    | 12,700     | 7,75                           | 8,51                        | 4,45                     | 16,40                  | 10,80                             | 18 200                                     | 0,64                   |
|                      |                     | <b>KAZ 08X1-1</b>  | 0,500      | 0,205                          | 0,335                       | 0,175                    | 0,555                  | 0,425                             | 4 090                                      | 0,37                   |
|                      |                     |                    | 12,700     | 5,20                           | 8,51                        | 4,45                     | 14,10                  | 10,80                             | 18 200                                     | 0,55                   |
|                      | 1/2"x1/4"           | <b>KAZ 08X2-1</b>  | 0,500      | 0,252                          | 0,335                       | 0,175                    | 0,591                  | 0,425                             | 4 045                                      | 0,40                   |
|                      |                     |                    | 12,700     | 6,40                           | 8,51                        | 4,45                     | 15,00                  | 10,80                             | 18 000                                     | 0,60                   |
|                      |                     | <b>KAZ 10X1-1</b>  | 0,625      | 0,255                          | 0,400                       | 0,200                    | 0,610                  | 0,512                             | 5 170                                      | 0,48                   |
|                      |                     |                    | 15,875     | 6,48                           | 10,16                       | 5,08                     | 15,50                  | 13,00                             | 23 000                                     | 0,71                   |
| 10B-1                | 5/8"x3/8"           | <b>KAZ 10B-1</b>   | 0,625      | 0,380                          | 0,400                       | 0,200                    | 0,772                  | 0,559                             | 5 100                                      | 0,60                   |
|                      |                     |                    | 15,875     | 9,65                           | 10,16                       | 5,08                     | 19,60                  | 14,20                             | 22 700                                     | 0,89                   |
| 12B-1                | 3/4"x7/16"          | <b>KAZ 12B-1</b>   | 0,750      | 0,460                          | 0,475                       | 0,225                    | 0,894                  | 0,635                             | 6 630                                      | 0,80                   |
|                      |                     |                    | 19,050     | 11,68                          | 12,07                       | 5,72                     | 22,70                  | 16,13                             | 29 500                                     | 1,19                   |
| 16B-1                | 1"x17,02mm          | <b>KAZ 16B-1</b>   | 1,000      | 0,670                          | 0,625                       | 0,326                    | 1,421                  | 0,827                             | 13 043                                     | 1,83                   |
|                      |                     |                    | 25,400     | 17,02                          | 15,88                       | 8,28                     | 36,10                  | 21,00                             | 58 000                                     | 6,00                   |
|                      |                     | <b>KAZ 16BX-1</b>  | 1,000      | 0,500                          | 0,625                       | 0,326                    | 1,255                  | 0,827                             | 14 600                                     | 1,69                   |
|                      |                     |                    | 25,400     | 12,70                          | 15,88                       | 8,28                     | 31,80                  | 21,00                             | 64 700                                     | 2,51                   |
| 20B-1                | 1"1/4x3/4"          | <b>KAZ 20B-1</b>   | 1,250      | 0,770                          | 0,750                       | 0,401                    | 1,701                  | 1,031                             | 21 350                                     | 2,41                   |
|                      |                     |                    | 31,750     | 19,56                          | 19,05                       | 10,19                    | 43,20                  | 26,20                             | 95 000                                     | 3,58                   |
| 24B-1                | 1"1/2x1"            | <b>KAZ 24B-1</b>   | 1,500      | 1,000                          | 1,000                       | 0,576                    | 2,102                  | 1,307                             | 38 230                                     | 4,61                   |
|                      |                     |                    | 38,100     | 25,40                          | 25,40                       | 14,63                    | 53,40                  | 33,20                             | 170 000                                    | 6,86                   |
| 28B-1                | 1"3/4x1"1/4"        | <b>KAZ 28B-1</b>   | 1,750      | 1,220                          | 1,100                       | 0,626                    | 2,563                  | 1,457                             | 44 970                                     | 5,95                   |
|                      |                     |                    | 44,450     | 30,99                          | 27,94                       | 15,90                    | 65,10                  | 37,00                             | 200 000                                    | 8,85                   |
| 32B-1                | 2"x1"1/4"           | <b>KAZ 32B-1</b>   | 2,000      | 1,220                          | 1,150                       | 0,701                    | 2,654                  | 1,614                             | 58 460                                     | 6,27                   |
|                      |                     |                    | 50,800     | 30,99                          | 29,21                       | 17,81                    | 67,40                  | 41,00                             | 260 000                                    | 9,33                   |

ROLLER CHAINS  
ROLLENKETTEN  
ŁAŃCUCHY ROLKOWE NAPĘDOWE





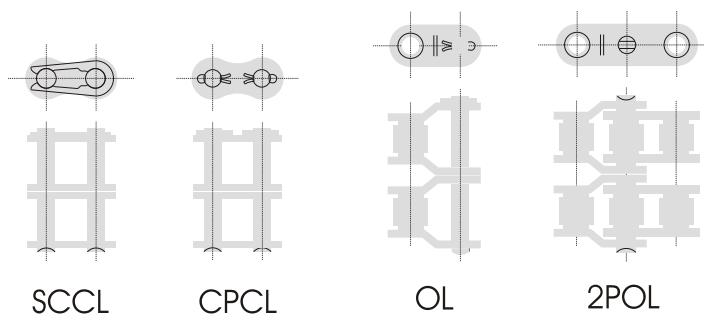
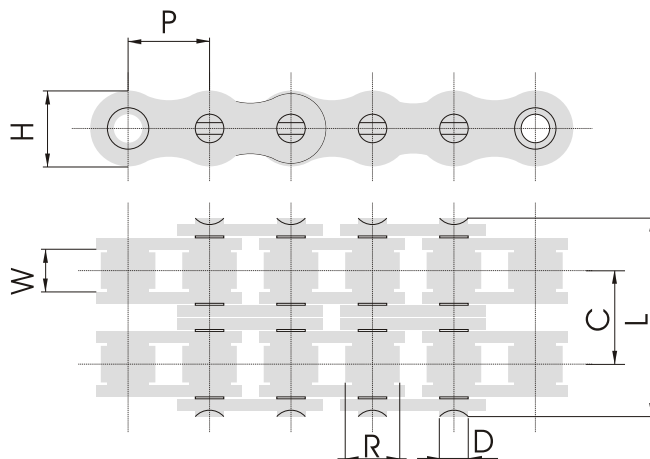
# DUPLEX STRAND ROLLER CHAINS

EUROPEAN STANDARD (METRIC)

ZWEIFACH-ROLLENKETTEN

ISO 606, DIN 8187, PN/M-84168

DWURZĘDOWE (PŁYTKI ÓSEMJKOWE)



| Chain No.<br>ISO/DIN | Dimensions<br>P x W<br>[in.] | Model             | Pitch  | Working<br>dimensions | Roller<br>dia. / Ø | Pin<br>dia. / Ø | Pin<br>length | Height of<br>plate links | Axis<br>spacing | Tensile<br>strength | Approx.<br>weight |
|----------------------|------------------------------|-------------------|--------|-----------------------|--------------------|-----------------|---------------|--------------------------|-----------------|---------------------|-------------------|
|                      |                              |                   | P      | W min                 | R max              | D max           | L max         | H max                    | C               | FB min.             | q                 |
|                      |                              |                   | [in.]  | [in.]                 | [in.]              | [in.]           | [in.]         | [in.]                    | [in.]           | [in.]               | [lbs.]            |
| 06B-2                | 3/8"x7/32"                   | <b>KAZ 06B-2</b>  | 0,375  | 0,225                 | 0,250              | 0,129           | 0,930         | 0,325                    | 0,403           | 3 890               | 0,48              |
|                      |                              |                   | 9,525  | 5,72                  | 6,35               | 3,28            | 23,60         | 8,25                     | 10,24           | 17 300              | 0,71              |
| 08B-2                | 1/2"x5/16"                   | <b>KAZ 08B-2</b>  | 0,500  | 0,305                 | 0,335              | 0,175           | 1,213         | 0,425                    | 0,548           | 7 145               | 0,83              |
|                      |                              |                   | 12,700 | 7,75                  | 8,51               | 4,45            | 30,80         | 10,80                    | 13,92           | 31 800              | 1,23              |
| -                    | -                            | <b>KAZ 08X1-2</b> | 0,500  | 0,205                 | 0,335              | 0,175           | 1,080         | 0,425                    | 0,512           | 5 560               | 0,76              |
|                      |                              |                   | 12,700 | 5,20                  | 8,51               | 4,45            | 27,40         | 10,80                    | 13,00           | 25 200              | 1,13              |
| 10B-2                | 5/8"x3/8"                    | <b>KAZ 10B-2</b>  | 0,625  | 0,380                 | 0,400              | 0,200           | 1,425         | 0,559                    | 0,653           | 10 200              | 1,21              |
|                      |                              |                   | 15,875 | 9,65                  | 10,16              | 5,08            | 36,20         | 14,20                    | 16,59           | 45 400              | 1,80              |
| 12B-2                | 3/4"x7/16"                   | <b>KAZ 12B-2</b>  | 0,750  | 0,460                 | 0,475              | 0,225           | 1,661         | 0,635                    | 0,766           | 13 260              | 1,58              |
|                      |                              |                   | 19,050 | 11,68                 | 12,07              | 5,72            | 42,20         | 16,13                    | 19,46           | 59 000              | 2,35              |
| 16B-2                | 1"x17,02mm                   | <b>KAZ 16B-2</b>  | 1,000  | 0,670                 | 0,625              | 0,326           | 2,677         | 0,827                    | 1,255           | 24 730              | 3,63              |
|                      |                              |                   | 25,400 | 17,02                 | 15,88              | 8,28            | 68,00         | 21,00                    | 31,88           | 110 000             | 5,40              |
| 20B-2                | 1"1/4x3/4"                   | <b>KAZ 20B-2</b>  | 1,250  | 0,770                 | 0,750              | 0,401           | 3,138         | 1,031                    | 1,435           | 40 480              | 4,80              |
|                      |                              |                   | 31,750 | 19,56                 | 19,05              | 10,19           | 79,70         | 26,20                    | 36,45           | 180 000             | 7,14              |
| 24B-2                | 1"1/2x1"                     | <b>KAZ 24B-2</b>  | 1,500  | 1,000                 | 1,000              | 0,576           | 4,008         | 1,307                    | 1,904           | 72 180              | 9,19              |
|                      |                              |                   | 38,100 | 25,40                 | 25,40              | 14,63           | 101,80        | 33,20                    | 48,36           | 321 000             | 13,68             |
| 28B-2                | 1"3/4x1"1/4"                 | <b>KAZ 28B-2</b>  | 1,750  | 1,220                 | 1,100              | 0,626           | 4,909         | 1,457                    | 2,345           | 85 670              | 11,86             |
|                      |                              |                   | 44,450 | 30,99                 | 27,94              | 15,90           | 124,70        | 37,00                    | 59,56           | 381 000             | 17,65             |
| 32B-2                | 2"x1"1/4"                    | <b>KAZ 32B-2</b>  | 2,000  | 1,220                 | 1,150              | 0,701           | 4,961         | 1,614                    | 2,305           | 111 310             | 12,50             |
|                      |                              |                   | 50,800 | 30,99                 | 29,21              | 17,81           | 126,00        | 41,00                    | 58,55           | 495 000             | 18,60             |

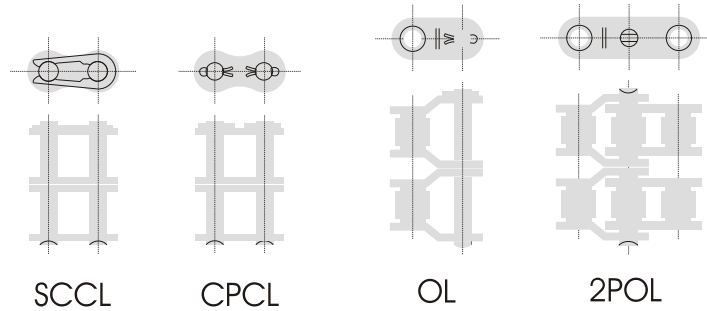
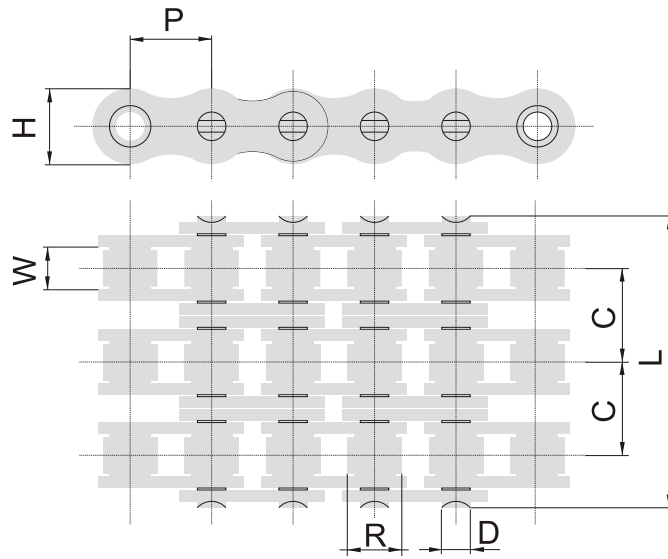
# TRIPLEX STRAND ROLLER CHAINS

EUROPEAN STANDARD (METRIC)

DREIFACH-ROLLENKETTEN

ISO 606, DIN 8187, PN/M-84168

TRZYRZĘDOWE (PŁYTKI ÓSEMkowe)



| Chain No.<br>ISO/DIN | Dimensions<br>P x W | Model            | Pitch  | Working<br>dimensions | Roller<br>dia. / $\varnothing$ | Pin<br>dia. / $\varnothing$ | Pin<br>length | Height of<br>plate links | Axis<br>spacing | Tensile<br>strength | Approx.<br>weight |
|----------------------|---------------------|------------------|--------|-----------------------|--------------------------------|-----------------------------|---------------|--------------------------|-----------------|---------------------|-------------------|
|                      |                     |                  | P      | W min                 | R max                          | D max                       | L max         | H max                    | C               | FB min.             | q                 |
| [in.]                |                     | [in.]            |        | [in.]                 | [in.]                          | [in.]                       | [in.]         | [in.]                    | [in.]           | [lbs.]              | [lbs./ft.]        |
|                      |                     | [mm]             |        | [mm]                  | [mm]                           | [mm]                        | [mm]          | [mm]                     | [mm]            | [N]                 | [kg/m]            |
| 06B-3                | 3/8"x7/32"          | <b>KAZ 06B-3</b> | 0,375  | 0,225                 | 0,250                          | 0,129                       | 1,340         | 0,325                    | 0,403           | 5 710               | 0,69              |
|                      |                     |                  | 9,525  | 5,72                  | 6,35                           | 3,28                        | 34,00         | 8,25                     | 10,24           | 25 400              | 1,03              |
| 08B-3                | 1/2"x5/16"          | <b>KAZ 08B-3</b> | 0,500  | 0,305                 | 0,335                          | 0,175                       | 1,765         | 0,425                    | 0,548           | 10 200              | 1,24              |
|                      |                     |                  | 12,700 | 7,75                  | 8,51                           | 4,45                        | 44,80         | 10,80                    | 13,92           | 45 400              | 1,84              |
| 10B-3                | 5/8"x3/8"           | <b>KAZ 10B-3</b> | 0,625  | 0,380                 | 0,400                          | 0,200                       | 2,079         | 0,559                    | 0,653           | 15 300              | 1,78              |
|                      |                     |                  | 15,875 | 9,65                  | 10,16                          | 5,08                        | 52,80         | 14,20                    | 16,59           | 68 100              | 2,65              |
| 12B-3                | 3/4"x7/16"          | <b>KAZ 12B-3</b> | 0,750  | 0,460                 | 0,475                          | 0,225                       | 2,429         | 0,635                    | 0,766           | 19 890              | 2,35              |
|                      |                     |                  | 19,050 | 11,68                 | 12,07                          | 5,72                        | 61,70         | 16,13                    | 19,46           | 88 500              | 3,50              |
| 16B-3                | 1"x17,02mm          | <b>KAZ 16B-3</b> | 1,000  | 0,670                 | 0,625                          | 0,326                       | 3,933         | 0,827                    | 1,255           | 37 100              | 5,48              |
|                      |                     |                  | 25,400 | 17,02                 | 15,88                          | 8,28                        | 99,90         | 21,00                    | 31,88           | 165 000             | 8,16              |
| 20B-3                | 1"x1/4"x3/4"        | <b>KAZ 20B-3</b> | 1,250  | 0,770                 | 0,750                          | 0,401                       | 4,571         | 1,031                    | 1,435           | 60 710              | 7,19              |
|                      |                     |                  | 31,750 | 19,56                 | 19,05                          | 10,19                       | 116,10        | 26,20                    | 36,45           | 270 000             | 10,70             |
| 24B-3                | 1"x1/2"x1"          | <b>KAZ 24B-3</b> | 1,500  | 1,000                 | 1,000                          | 0,576                       | 5,913         | 1,307                    | 1,904           | 109 060             | 13,78             |
|                      |                     |                  | 38,100 | 25,40                 | 25,40                          | 14,63                       | 150,20        | 33,20                    | 48,36           | 48 500              | 20,50             |
| 28B-3                | 1"x3/4"x1"x1/4"     | <b>KAZ 28B-3</b> | 1,750  | 1,220                 | 1,100                          | 0,626                       | 7,256         | 1,457                    | 2,345           | 128 400             | 17,79             |
|                      |                     |                  | 44,450 | 30,99                 | 27,94                          | 15,90                       | 184,30        | 37,00                    | 59,56           | 571 000             | 26,48             |
| 32B-3                | 2"x1"x1/4"          | <b>KAZ 32B-3</b> | 2,000  | 1,220                 | 1,150                          | 0,701                       | 7,303         | 1,614                    | 2,305           | 167 080             | 18,73             |
|                      |                     |                  | 50,800 | 30,99                 | 29,21                          | 17,81                       | 185,50        | 41,00                    | 58,55           | 743 000             | 27,87             |

ROLLER CHAINS  
ROLLENKETTEN  
ŁAŃCUCHY ROLKOWE NAPĘDOWE



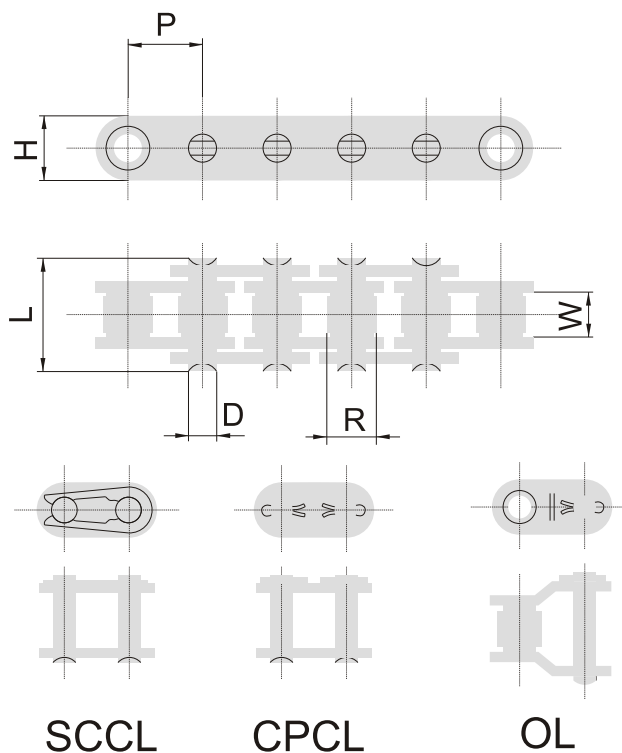
# SINGLE STRAND ROLLER CHAINS (STRAIGHT SIDE PLATES)

EUROPEAN STANDARD (METRIC)

EINFACH-ROLLENKETTEN (GERADE LASCHEN)

ISO 606, DIN 8187, PN/M-84168

JEDNORZĘDOWE (PŁYTKI OWALNE)



| Chain No.<br>ISO/DIN | Dimensions<br>P x W | Model              | Pitch<br>P          | Working dimensions |       | Roller dia. / Ø<br>R max | Pin dia. / Ø<br>D max | Pin length<br>L max | Height of plate links<br>H max | Tensile strength<br>FB min. | Approx. weight<br>q |
|----------------------|---------------------|--------------------|---------------------|--------------------|-------|--------------------------|-----------------------|---------------------|--------------------------------|-----------------------------|---------------------|
|                      |                     |                    |                     | [in.]              | [mm]  |                          |                       |                     |                                |                             |                     |
| 06B-1                | 3/8"x7/32"          | <b>KAZ 06B-1/F</b> | 0,375               | 0,225              | 0,250 | 0,129                    | 0,504                 | 0,325               | 2 045                          | 0,24                        |                     |
|                      |                     |                    | 9,525               | 5,72               | 6,35  | 3,28                     | 12,80                 | 8,25                | 9 100                          | 0,36                        |                     |
| 08B-1                | 1/2"x5/16"          | <b>KAZ 08B-1/F</b> | 0,500               | 0,305              | 0,335 | 0,175                    | 0,645                 | 0,465               | 4 090                          | 0,52                        |                     |
|                      |                     |                    | 12,700              | 7,75               | 8,51  | 4,45                     | 16,40                 | 11,80               | 18 200                         | 0,77                        |                     |
| 10B-1                | 5/8"x3/8"           | <b>KAZ 10B-1/F</b> | 0,625               | 0,380              | 0,400 | 0,200                    | 0,772                 | 0,559               | 5 100                          | 0,65                        |                     |
|                      |                     |                    | 15,875              | 9,65               | 10,16 | 5,08                     | 19,60                 | 14,20               | 22 700                         | 0,96                        |                     |
| 12B-1                | 3/4"x7/16"          | <b>KAZ 12B-1/F</b> | 0,750               | 0,460              | 0,475 | 0,225                    | 0,894                 | 0,635               | 6 630                          | 0,87                        |                     |
|                      |                     |                    | 19,050              | 11,68              | 12,07 | 5,72                     | 22,70                 | 16,13               | 29 500                         | 1,29                        |                     |
| 16B-1                | 1"x17,02mm          | <b>KAZ 16B-1/F</b> | 1,000               | 0,670              | 0,625 | 0,326                    | 1,421                 | 0,827               | 13 040                         | 2,00                        |                     |
|                      |                     |                    | 25,400              | 17,02              | 15,88 | 8,28                     | 36,10                 | 21,00               | 58 000                         | 2,97                        |                     |
|                      |                     |                    | <b>KAZ 16X1-1/F</b> | 1,000              | 0,670 | 0,625                    | 0,326                 | 1,421               | 0,95                           | 13 040                      | 2,29                |
| 20B-1                | 1"1/4x3/4"          | <b>KAZ 20B-1/F</b> | 1,250               | 0,770              | 0,750 | 0,401                    | 1,701                 | 1,000               | 21 350                         | 2,96                        |                     |
|                      |                     |                    | 31,750              | 19,56              | 19,05 | 10,19                    | 43,20                 | 25,40               | 95 000                         | 4,40                        |                     |
|                      |                     |                    | <b>KAZ 20B-1/F</b>  | 1,250              | 0,770 | 0,750                    | 0,401                 | 1,701               | 1,031                          | 21 350                      | 3,26                |
| 24B-1                | 1"1/2x1"            | <b>KAZ 24B-1/F</b> | 1,500               | 1,000              | 1,000 | 0,576                    | 2,102                 | 1,307               | 38 230                         | 4,50                        |                     |
|                      |                     |                    | 38,100              | 25,40              | 25,40 | 14,63                    | 53,40                 | 33,20               | 170 000                        | 6,70                        |                     |
|                      |                     |                    | <b>KAZ 24B-1/F</b>  | 1,500              | 1,000 | 1,000                    | 0,576                 | 2,102               | 1,307                          | 38 230                      | 4,50                |
| 28B-1                | 1"3/4x1"1/4"        | <b>KAZ 28B-1/F</b> | 1,750               | 1,220              | 1,100 | 0,626                    | 2,563                 | 1,457               | 44 970                         | 5,58                        |                     |
|                      |                     |                    | 44,450              | 30,99              | 27,94 | 15,90                    | 65,10                 | 37,00               | 200 000                        | 8,30                        |                     |
| 32B-1                | 2"x1"1/4"           | <b>KAZ 32B-1/F</b> | 2,000               | 1,220              | 1,150 | 0,701                    | 2,654                 | 1,614               | 58 460                         | 7,06                        |                     |
|                      |                     |                    | 50,800              | 30,99              | 29,21 | 17,81                    | 67,40                 | 41,00               | 260 000                        | 10,50                       |                     |

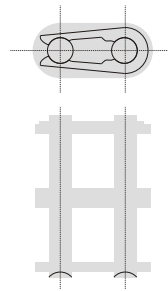
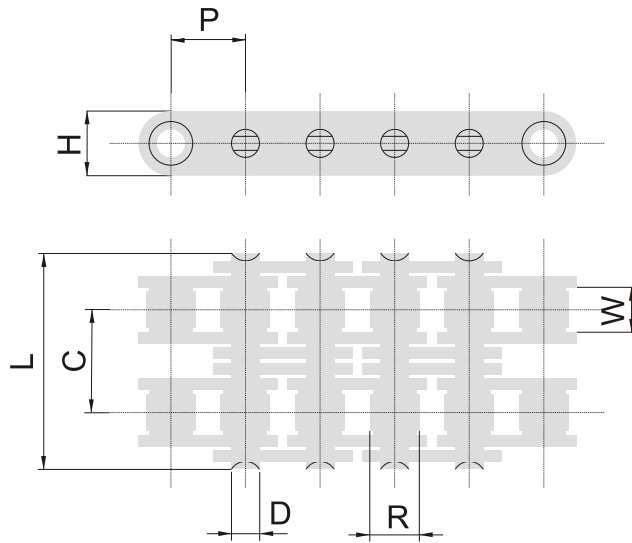


# DUPLEX STRAND ROLLER CHAINS (STRAIGHT SIDE PLATES) EUROPEAN STANDARD (METRIC)

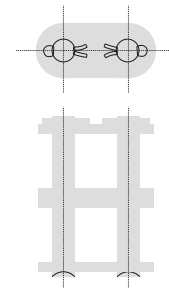
ZWEIFACH-ROLLENKETTEN (GERADE LASCHEN)

ISO 606, DIN 8187, PN/M-84168

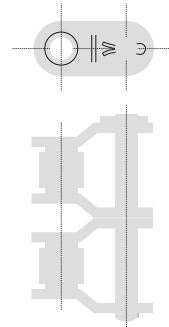
DWURZĘDOWE (PŁYTKI OWALNE)



SCCL



CPCL



OL

| Chain No.<br>ISO/DIN | Dimensions<br>P x W | Model       | Pitch        | Working<br>dimensions | Roller<br>dia. / Ø | Pin<br>dia. / Ø | Pin<br>length | Height of<br>plate links | Axis<br>spacing | Tensile<br>strength | Approx.<br>weight |
|----------------------|---------------------|-------------|--------------|-----------------------|--------------------|-----------------|---------------|--------------------------|-----------------|---------------------|-------------------|
|                      |                     |             | P            | W min                 | R max              | D max           | L max         | H max                    | C               | F <sub>B</sub> min  | q                 |
|                      | [in.]               |             | [in.]        | [in.]                 | [in.]              | [in.]           | [in.]         | [in.]                    | [in.]           | [lbs./ft.]          | [lbs./ft.]        |
|                      |                     |             | [mm]         | [mm]                  | [mm]               | [mm]            | [mm]          | [mm]                     | [mm]            | [N]                 | [kg/m]            |
| 06B-2                | 3/8"x7/32"          | KAZ 06B-2/F | 0,375        | 0,225                 | 0,250              | 0,129           | 0,930         | 0,325                    | 0,403           | 3 890               | 0,51              |
|                      |                     |             | 9,525        | 5,72                  | 6,35               | 3,28            | 23,60         | 8,25                     | 10,24           | 17 300              | 0,76              |
| 08B-2                | 1/2"x5/16"          | KAZ 08B-2/F | 0,500        | 0,305                 | 0,335              | 0,175           | 1,213         | 0,425                    | 0,548           | 7 145               | 1,00              |
|                      |                     |             | 12,700       | 7,75                  | 8,51               | 4,45            | 30,80         | 10,80                    | 13,92           | 31 800              | 1,48              |
| 10B-2                | 5/8"x3/8"           | KAZ 10B-2/F | 0,625        | 0,380                 | 0,400              | 0,200           | 1,425         | 0,559                    | 0,653           | 10 200              | 1,27              |
|                      |                     |             | 15,875       | 9,65                  | 10,16              | 5,08            | 36,20         | 14,20                    | 16,59           | 45 400              | 1,89              |
| 12B-2                | 3/4"x7/16"          | KAZ 12B-2/F | 0,750        | 0,460                 | 0,475              | 0,225           | 1,661         | 0,635                    | 0,766           | 13 260              | 1,72              |
|                      |                     |             | 19,050       | 11,68                 | 12,07              | 5,72            | 42,20         | 16,13                    | 19,46           | 59 000              | 2,56              |
| 16B-2                | 1"x17,02mm          | KAZ 16B-2/F | 1,000        | 0,670                 | 0,625              | 0,326           | 2,677         | 0,827                    | 1,255           | 24 730              | 3,96              |
|                      |                     |             | 25,400       | 17,02                 | 15,88              | 8,28            | 68,00         | 21,00                    | 31,88           | 110 000             | 5,89              |
|                      |                     |             | KAZ 16X1-2/F | 1,000                 | 0,670              | 0,625           | 0,326         | 2,677                    | 0,95            | 1,255               | 25 500            |
| 20B-2                | 1"1/4"x3/4"         | KAZ 20B-2/F | 1,250        | 0,770                 | 0,750              | 0,401           | 3,138         | 1,000                    | 1,435           | 40 480              | 5,78              |
|                      |                     |             | 31,750       | 19,56                 | 19,05              | 10,19           | 79,70         | 25,40                    | 36,45           | 180 000             | 8,60              |
|                      |                     |             | KAZ 20X1-2/F | 1,250                 | 0,770              | 0,750           | 0,401         | 3,138                    | 1,031           | 1,435               | 40 480            |
| 24B-2                | 1"1/2"x1"           | KAZ 24B-2/F | 1,500        | 1,000                 | 1,000              | 0,576           | 4,008         | 1,307                    | 1,904           | 72 180              | 9,07              |
|                      |                     |             | 38,100       | 25,40                 | 25,40              | 14,63           | 101,80        | 33,20                    | 48,36           | 321 000             | 13,50             |
| 28B-2                | 1"3/4"x1"1/4"       | KAZ 28B-2/F | 1,750        | 1,220                 | 1,100              | 0,626           | 4,909         | 1,457                    | 2,345           | 85 670              | 11,16             |
|                      |                     |             | 44,450       | 30,99                 | 27,94              | 15,90           | 124,70        | 37,00                    | 59,56           | 381 000             | 16,60             |
| 32B-2                | 2"x1"1/4"           | KAZ 32B-2/F | 2,000        | 1,220                 | 1,150              | 0,701           | 4,961         | 1,614                    | 2,305           | 111 310             | 14,11             |
|                      |                     |             | 50,800       | 30,99                 | 29,21              | 17,81           | 126,00        | 41,00                    | 58,55           | 495 000             | 21,00             |

ROLLER CHAINS  
ROLLENKETTEN  
ŁAŃCUCHY ROLKOWE NAPĘDOWE

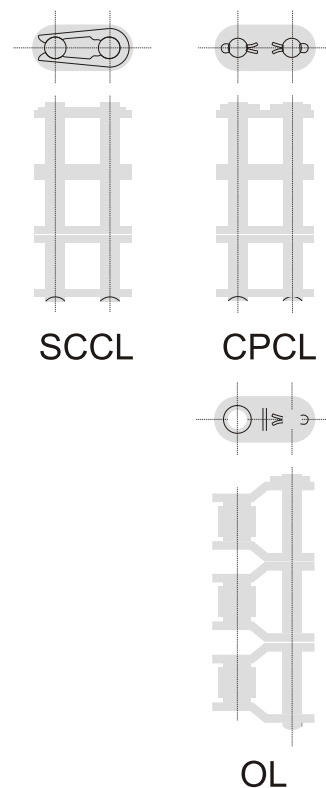
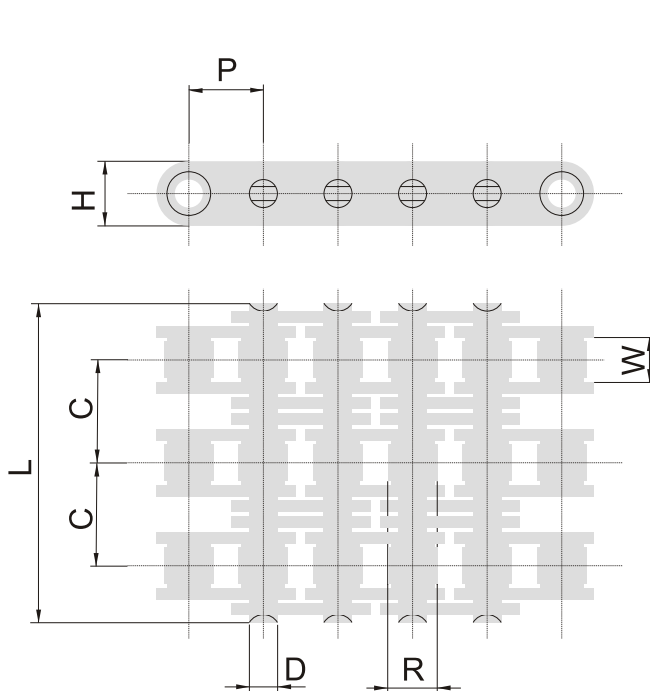


# TRIPLEX STRAND ROLLER CHAINS (STRAIGHT SIDE PLATES) EUROPEAN STANDARD (METRIC)

DREIFACH-ROLLENKETTEN (GERADE LASCHEN)

ISO 606, DIN 8187, PN/M-84168

TRZYRZĘDOWE (PŁYTKI OWALNE)



| Chain No.<br>ISO/DIN | Dimensions<br>P x W<br>[in.] | Model        | Pitch      | Working<br>dimensions | Roller<br>dia. / Ø | Pin<br>dia. / Ø | Pin<br>length  | Height of<br>plate links | Axis<br>spacing | Tensile<br>strength          | Approx.<br>weight |
|----------------------|------------------------------|--------------|------------|-----------------------|--------------------|-----------------|----------------|--------------------------|-----------------|------------------------------|-------------------|
|                      |                              |              | P<br>[in.] | W min<br>[in.]        | R max<br>[in.]     | D max<br>[in.]  | L max<br>[in.] | H max<br>[in.]           | C<br>[in.]      | F <sub>B</sub> min<br>[lbs.] | q<br>[lbs./ft.]   |
|                      |                              |              | [mm]       | [mm]                  | [mm]               | [mm]            | [mm]           | [mm]                     | [mm]            | [N]                          | [kg/m]            |
| 06B-3                | 3/8"x7/32"                   | KAZ 06B-3/F  | 0,375      | 0,225                 | 0,250              | 0,129           | 1,340          | 0,325                    | 0,403           | 5 710                        | 0,75              |
|                      |                              |              | 9,525      | 5,72                  | 6,35               | 3,28            | 34,00          | 8,25                     | 10,24           | 25 400                       | 1,12              |
| 08B-3                | 1/2"x5/16"                   | KAZ 08B-3/F  | 0,500      | 0,305                 | 0,335              | 0,175           | 1,765          | 0,425                    | 0,548           | 10 200                       | 1,49              |
|                      |                              |              | 12,700     | 7,75                  | 8,51               | 4,45            | 44,80          | 10,80                    | 13,92           | 45 400                       | 2,21              |
| 10B-3                | 5/8"x3/8"                    | KAZ 10B-3/F  | 0,625      | 0,380                 | 0,400              | 0,200           | 2,079          | 0,559                    | 0,653           | 15 300                       | 1,92              |
|                      |                              |              | 15,875     | 9,65                  | 10,16              | 5,08            | 52,80          | 14,20                    | 16,59           | 68 100                       | 2,85              |
| 12B-3                | 3/4"x7/16"                   | KAZ 12B-3/F  | 0,750      | 0,460                 | 0,475              | 0,225           | 2,429          | 0,635                    | 0,766           | 19 890                       | 2,58              |
|                      |                              |              | 19,050     | 11,68                 | 12,07              | 5,72            | 61,70          | 16,13                    | 19,46           | 88 500                       | 3,84              |
| 16B-3                | 1"x17,02mm                   | KAZ 16B-3/F  | 1,000      | 0,670                 | 0,625              | 0,326           | 3,933          | 0,827                    | 1,255           | 37 100                       | 5,91              |
|                      |                              |              | 25,400     | 17,02                 | 15,88              | 8,28            | 99,90          | 21,00                    | 31,88           | 165 000                      | 8,80              |
|                      |                              |              |            |                       |                    |                 |                |                          |                 |                              |                   |
|                      |                              | KAZ 16X1-3/F | 1,000      | 0,670                 | 0,625              | 0,326           | 3,933          | 0,945                    | 1,255           | 37 100                       | 6,38              |
|                      |                              |              | 25,400     | 17,02                 | 15,88              | 8,28            | 99,90          | 24,00                    | 31,88           | 165 000                      | 9,49              |
| 20B-3                | 1"1/4x3/4"                   | KAZ 20B-3/F  | 1,250      | 0,770                 | 0,750              | 0,401           | 4,571          | 1,000                    | 1,435           | 60 710                       | 7,93              |
|                      |                              |              | 31,750     | 19,56                 | 19,05              | 10,19           | 116,10         | 25,40                    | 36,45           | 270 000                      | 1,80              |
|                      |                              |              |            |                       |                    |                 |                |                          |                 |                              |                   |
|                      |                              | KAZ 20X1-3/F | 1,250      | 0,770                 | 0,750              | 0,401           | 4,571          | 1,031                    | 1,435           | 60 710                       | 8,40              |
|                      |                              |              | 31,750     | 19,56                 | 19,05              | 10,19           | 116,10         | 26,20                    | 36,45           | 270 000                      | 12,50             |
| 24B-3                | 1"1/2x1"                     | KAZ 24B-3/F  | 1,500      | 1,000                 | 1,000              | 0,576           | 5,913          | 1,307                    | 1,904           | 109 060                      | 13,44             |
|                      |                              |              | 38,100     | 25,40                 | 25,40              | 14,63           | 150,20         | 33,20                    | 48,36           | 485 000                      | 20,00             |
| 28B-3                | 1"3/4x1"1/4"                 | KAZ 28B-3/F  | 1,750      | 1,220                 | 1,100              | 0,626           | 7,256          | 1,457                    | 2,345           | 128 400                      | 16,80             |
|                      |                              |              | 44,450     | 30,99                 | 27,94              | 15,90           | 184,30         | 37,00                    | 59,56           | 571 000                      | 25,00             |
| 32B-3                | 2"x1"1/4"                    | KAZ 32B-3/F  | 2,000      | 1,220                 | 1,150              | 0,701           | 7,303          | 1,614                    | 2,305           | 167 080                      | 21,51             |
|                      |                              |              | 50,800     | 30,99                 | 29,21              | 17,81           | 185,50         | 41,00                    | 58,55           | 743 000                      | 32,00             |

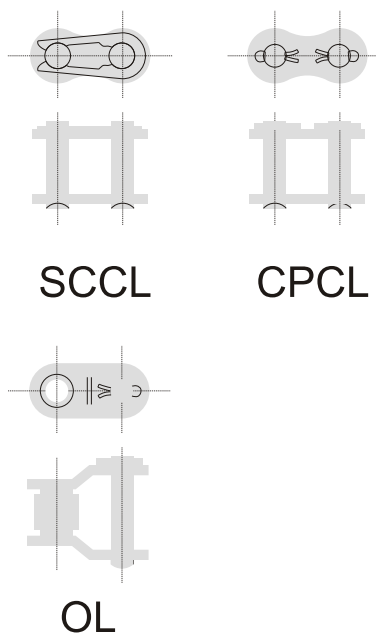
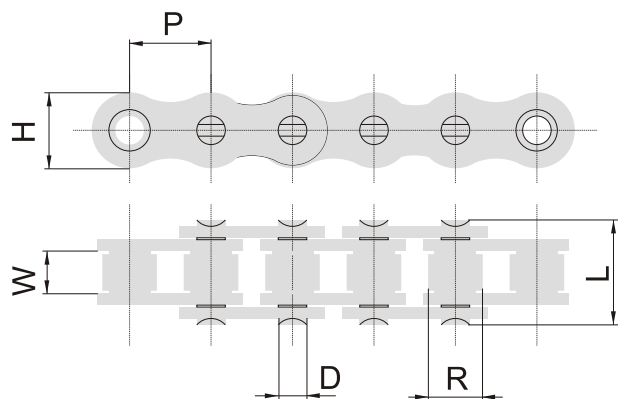
# SINGLE STRAND ROLLER CHAINS

AMERICAN STANDARD (ANSI)

EINFACH-ROLLENKETTEN

ANSI B29.1M, DIN 8188, ISO 606, PN/M-84168

JEDNORZĘDOWE (PŁYTKI ÓSEMkowe)



| Chain No.<br>ANSI | Model       | Pitch  | Working<br>dimensions | Roller<br>dia. / Ø | Pin<br>dia. / Ø | Pin<br>length | Height of<br>plate links | Tensile<br>strength | Average<br>tensile<br>strength | Approx.<br>weight |
|-------------------|-------------|--------|-----------------------|--------------------|-----------------|---------------|--------------------------|---------------------|--------------------------------|-------------------|
|                   |             | P      | W min                 | R max              | D max           | L max         | H max                    | min ANSI            | strength                       | q                 |
|                   |             | [in.]  | [in.]                 | [in.]              | [in.]           | [in.]         | [in.]                    | [lbs.]              | [lbs.]                         | [lbs./ft.]        |
|                   |             | [mm]   | [mm]                  | [mm]               | [mm]            | [mm]          | [mm]                     | [N]                 | [N]                            | [kg/m]            |
| 35*               | KAZ 35 RIV  | 0,375  | 0,188                 | 0,200              | 0,141           | 0,465         | 0,346                    | 1 760               | 2 810                          | 0,22              |
|                   |             | 9,525  | 4,77                  | 5,06               | 3,58            | 11,80         | 8,80                     | 7 800               | 12 500                         | 0,33              |
| 40                | KAZ 40 RIV  | 0,500  | 0,312                 | 0,312              | 0,156           | 0,650         | 0,465                    | 3 125               | 4 650                          | 0,43              |
|                   |             | 12,700 | 7,92                  | 7,92               | 3,96            | 16,50         | 11,80                    | 13 900              | 20 690                         | 0,64              |
| 41                | KAZ 41 RIV  | 0,500  | 0,250                 | 0,306              | 0,141           | 0,531         | 0,390                    | 1 500               | 2 960                          | 0,27              |
|                   |             | 12,700 | 6,35                  | 7,77               | 3,58            | 13,50         | 9,90                     | 6 700               | 13 170                         | 0,40              |
| 50                | KAZ 50 RIV  | 0,625  | 0,375                 | 0,400              | 0,200           | 0,811         | 0,591                    | 4 880               | 7 650                          | 0,70              |
|                   |             | 15,875 | 9,52                  | 10,16              | 5,08            | 20,60         | 15,00                    | 21 700              | 34 040                         | 1,04              |
| 60                | KAZ 60 RIV  | 0,750  | 0,500                 | 0,469              | 0,234           | 1,012         | 0,713                    | 7 150               | 10 750                         | 1,03              |
|                   |             | 19,050 | 12,70                 | 11,91              | 5,94            | 25,70         | 18,10                    | 31 800              | 47 800                         | 1,53              |
| 80                | KAZ 80 RIV  | 1,000  | 0,622                 | 0,625              | 0,312           | 1,280         | 0,945                    | 12 750              | 19 050                         | 1,79              |
|                   |             | 25,400 | 15,80                 | 15,88              | 7,92            | 32,50         | 24,00                    | 56 700              | 84 700                         | 2,66              |
| 100               | KAZ 100 RIV | 1,250  | 0,748                 | 0,750              | 0,375           | 1,583         | 1,181                    | 19 900              | 28 580                         | 2,59              |
|                   |             | 31,750 | 19,00                 | 19,05              | 9,52            | 40,20         | 30,00                    | 88 500              | 127 000                        | 3,85              |
| 120               | KAZ 120 RIV | 1,500  | 1,000                 | 0,875              | 0,437           | 2,000         | 1,421                    | 28 560              | 40 480                         | 3,88              |
|                   |             | 38,100 | 25,40                 | 22,23              | 11,10           | 50,80         | 36,10                    | 127 000             | 180 000                        | 5,77              |
| 140               | KAZ 140 RIV | 1,750  | 1,000                 | 1,000              | 0,500           | 2,161         | 1,661                    | 38 770              | 52 390                         | 4,94              |
|                   |             | 44,450 | 25,40                 | 25,40              | 12,70           | 54,90         | 42,20                    | 172 400             | 232 980                        | 7,35              |
| 160               | KAZ 160 RIV | 2,000  | 1,250                 | 1,125              | 0,562           | 2,512         | 1,890                    | 51 000              | 65 480                         | 6,69              |
|                   |             | 50,800 | 31,75                 | 28,58              | 14,27           | 63,80         | 48,00                    | 226 800             | 291 190                        | 9,95              |
| 180               | KAZ 180 RIV | 2,250  | 1,406                 | 1,406              | 0,687           | 2,854         | 2,142                    | 63 280              | 86 920                         | 8,78              |
|                   |             | 57,150 | 35,70                 | 35,72              | 17,45           | 72,50         | 54,40                    | 281 400             | 386 530                        | 13,06             |
| 200               | KAZ 200 RIV | 2,500  | 1,500                 | 1,562              | 0,781           | 3,161         | 2,374                    | 78 125              | 111 920                        | 10,89             |
|                   |             | 63,500 | 38,10                 | 39,68              | 19,84           | 80,30         | 60,30                    | 347 400             | 497 700                        | 16,21             |
| 240               | KAZ 240 RIV | 3,000  | 1,875                 | 1,875              | 0,937           | 3,760         | 2,850                    | 112 500             | 164 350                        | 16,46             |
|                   |             | 76,200 | 47,63                 | 47,63              | 23,80           | 95,50         | 72,40                    | 500 300             | 730 860                        | 24,50             |

ROLLER CHAINS  
ROLLENKETTEN  
ŁAŃCUCHY ROLKOWE NAPĘDOWE

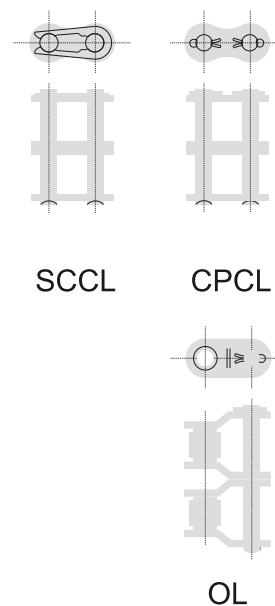
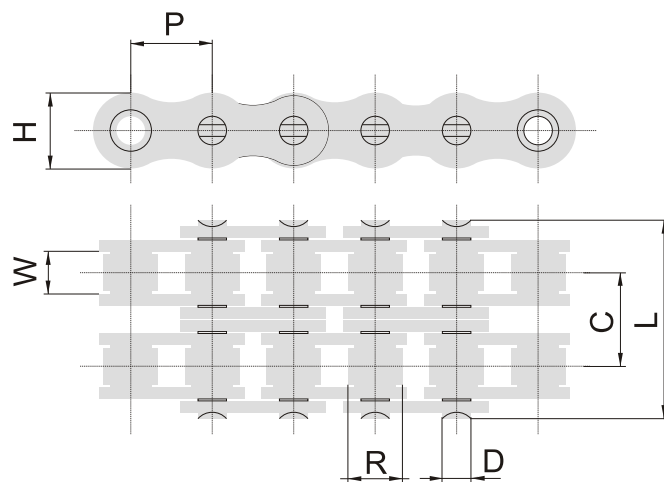


# DUPLEX STRAND ROLLER CHAINS

AMERICAN STANDARD (ANSI)

ZWEIFACH-ROLLENKETTEN  
DWURZĘDOWE

ANSI B29.1M, DIN 8188, ISO 606, PN/M-84168



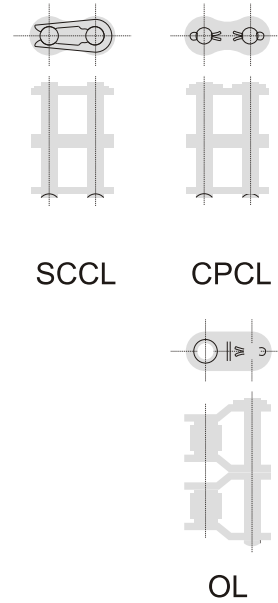
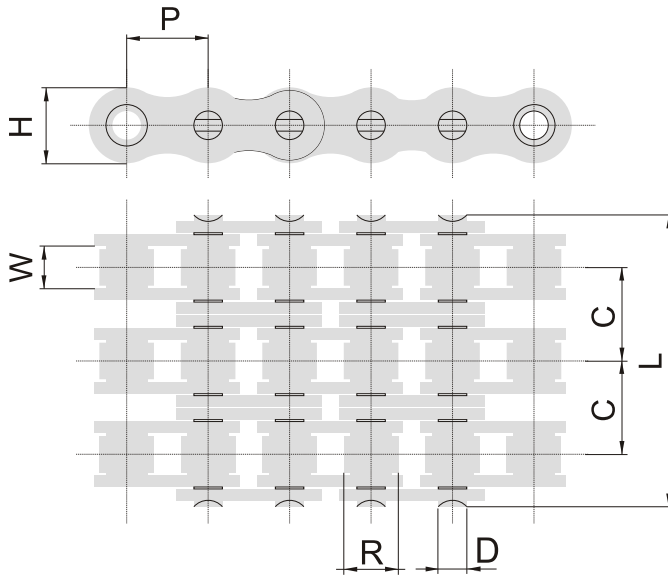
| Chain No.<br>ANSI | Model                | Pitch<br>P | Working dimensions |       | Roller dia. / Ø |                     | Pin   |       | Height of plate links<br>H max | Axis spacing<br>C | Tensile strength<br>min ANSI | Average tensile strength | Approx. weight<br>q |
|-------------------|----------------------|------------|--------------------|-------|-----------------|---------------------|-------|-------|--------------------------------|-------------------|------------------------------|--------------------------|---------------------|
|                   |                      |            | W min              | R max | dia. / Ø        | Pin length<br>L max |       |       |                                |                   |                              |                          |                     |
|                   |                      | [in.]      | [in.]              | [in.] | [in.]           | [in.]               | [in.] | [in.] | [in.]                          | [in.]             | [lbs.]                       | [lbs.]                   | [lbs./ft.]          |
|                   |                      | [mm]       | [mm]               | [mm]  | [mm]            | [mm]                | [mm]  | [mm]  | [mm]                           | [mm]              | [N]                          | [N]                      | [kg/m]              |
| 35-2*             | <b>KAZ 35-2 RIV</b>  | 0,375      | 0,188              | 0,200 | 0,141           | 0,862               | 0,346 | 0,399 | 3 520                          | 5 470             | 0,46                         |                          |                     |
|                   |                      | 9,525      | 4,77               | 5,06  | 3,58            | 21,90               | 8,80  | 10,13 | 15 700                         | 24 340            | 0,68                         |                          |                     |
| 40-2              | <b>KAZ 40-2 RIV</b>  | 0,500      | 0,312              | 0,312 | 0,156           | 1,217               | 0,465 | 0,566 | 6 250                          | 9 400             | 0,85                         |                          |                     |
|                   |                      | 12,700     | 7,92               | 7,92  | 3,96            | 30,90               | 11,80 | 14,38 | 27 800                         | 41 830            | 1,26                         |                          |                     |
| 50-2              | <b>KAZ 50-2 RIV</b>  | 0,625      | 0,375              | 0,400 | 0,200           | 1,524               | 0,591 | 0,713 | 9 760                          | 15 250            | 1,39                         |                          |                     |
|                   |                      | 15,875     | 9,52               | 10,16 | 5,08            | 38,70               | 15,00 | 18,11 | 43 500                         | 67 860            | 2,07                         |                          |                     |
| 60-2              | <b>KAZ 60-2 RIV</b>  | 0,750      | 0,500              | 0,469 | 0,234           | 1,909               | 0,713 | 0,898 | 14 300                         | 21 500            | 2,04                         |                          |                     |
|                   |                      | 19,050     | 12,70              | 11,91 | 5,94            | 48,50               | 18,10 | 22,80 | 63 600                         | 95 600            | 3,04                         |                          |                     |
| 80-2              | <b>KAZ 80-2 RIV</b>  | 1,000      | 0,622              | 0,625 | 0,312           | 2,433               | 0,945 | 1,154 | 25 500                         | 38 100            | 3,54                         |                          |                     |
|                   |                      | 25,400     | 15,80              | 15,88 | 7,92            | 61,80               | 24,00 | 29,30 | 116 400                        | 169 400           | 5,27                         |                          |                     |
| 100-2             | <b>KAZ 100-2 RIV</b> | 1,250      | 0,748              | 0,750 | 0,375           | 2,992               | 1,181 | 1,409 | 39 800                         | 57 160            | 5,18                         |                          |                     |
|                   |                      | 31,750     | 19,00              | 19,05 | 9,52            | 76,00               | 30,00 | 35,80 | 177 000                        | 254 000           | 7,71                         |                          |                     |
| 120-2             | <b>KAZ 120-2 RIV</b> | 1,500      | 1,000              | 0,875 | 0,437           | 3,787               | 1,421 | 1,787 | 57 120                         | 77 650            | 7,76                         |                          |                     |
|                   |                      | 38,100     | 25,40              | 22,23 | 11,10           | 96,20               | 36,10 | 45,40 | 254 000                        | 345 300           | 11,55                        |                          |                     |
| 140-2             | <b>KAZ 140-2 RIV</b> | 1,750      | 1,000              | 1,000 | 0,500           | 4,087               | 1,661 | 1,925 | 77 540                         | 101 920           | 8,88                         |                          |                     |
|                   |                      | 44,450     | 25,40              | 25,40 | 12,70           | 103,80              | 42,20 | 48,90 | 344 800                        | 453 240           | 13,21                        |                          |                     |
| 160-2             | <b>KAZ 160-2 RIV</b> | 2,000      | 1,250              | 1,125 | 0,562           | 4,815               | 1,890 | 2,303 | 102 000                        | 130 960           | 13,37                        |                          |                     |
|                   |                      | 50,800     | 31,75              | 28,58 | 14,27           | 122,30              | 48,00 | 58,50 | 453 600                        | 582 380           | 19,90                        |                          |                     |
| 180-2             | <b>KAZ 180-2 RIV</b> | 2,250      | 1,406              | 1,406 | 0,687           | 5,453               | 2,142 | 2,592 | 126 560                        | 173 840           | 17,56                        |                          |                     |
|                   |                      | 57,150     | 35,70              | 35,72 | 17,45           | 138,50              | 54,40 | 65,84 | 562 800                        | 773 060           | 26,13                        |                          |                     |
| 200-2             | <b>KAZ 200-2 RIV</b> | 2,500      | 1,500              | 1,562 | 0,781           | 5,980               | 2,374 | 2,817 | 156 250                        | 223 840           | 21,78                        |                          |                     |
|                   |                      | 63,500     | 38,10              | 39,68 | 19,84           | 151,90              | 60,30 | 71,55 | 694 800                        | 995 400           | 32,41                        |                          |                     |
| 240-2             | <b>KAZ 240-2 RIV</b> | 3,000      | 1,875              | 1,875 | 0,937           | 7,220               | 2,850 | 3,458 | 225 000                        | 328 700           | 32,32                        |                          |                     |
|                   |                      | 76,200     | 47,63              | 47,63 | 23,80           | 183,40              | 72,40 | 87,83 | 1 000 600                      | 1 461 720         | 48,10                        |                          |                     |

# TRIPLEX STRAND ROLLER CHAINS

AMERICAN STANDARD (ANSI)

ANSI B29.1M, DIN 8188, ISO 606, PN/M-84168

DREIFACH-ROLLENKETTEN  
TRZYRZĘDOWE



| Chain No.<br>ANSI | Model                | Pitch  | Working<br>dimensions | Roller<br>dia. / Ø | Pin<br>dia. / Ø | Pin<br>length | Height of<br>plate links | Axis<br>spacing | Tensile<br>strength | Average<br>tensile<br>strength | Approx.<br>weight |
|-------------------|----------------------|--------|-----------------------|--------------------|-----------------|---------------|--------------------------|-----------------|---------------------|--------------------------------|-------------------|
|                   |                      | P      | W min                 | R max              | D max           | L max         | H max                    | C               | min ANSI            | q                              |                   |
|                   |                      | [in.]  | [in.]                 | [in.]              | [in.]           | [in.]         | [in.]                    | [in.]           | [lbs.]              | [lbs.]                         | [lbs./ft.]        |
|                   |                      | [mm]   | [mm]                  | [mm]               | [mm]            | [mm]          | [mm]                     | [mm]            | [N]                 | [N]                            | [kg/m]            |
| 35-3*             | <b>KAZ 35-3 RIV</b>  | 0,375  | 0,188                 | 0,200              | 0,141           | 1,260         | 0,346                    | 0,399           | 5 280               | 8 200                          | 0,70              |
|                   |                      | 9,525  | 4,77                  | 5,06               | 3,58            | 32,00         | 8,80                     | 10,13           | 23 500              | 36 490                         | 1,03              |
| 40-3              | <b>KAZ 40-3 RIV</b>  | 0,500  | 0,312                 | 0,312              | 0,156           | 1,784         | 0,465                    | 0,566           | 9 375               | 13 900                         | 1,28              |
|                   |                      | 12,700 | 7,92                  | 7,92               | 3,96            | 45,30         | 11,80                    | 14,38           | 41 700              | 61 850                         | 1,89              |
| 50-3              | <b>KAZ 50-3 RIV</b>  | 0,625  | 0,375                 | 0,400              | 0,200           | 2,236         | 0,591                    | 0,713           | 14 640              | 23 100                         | 2,08              |
|                   |                      | 15,875 | 9,52                  | 10,16              | 5,08            | 56,50         | 15,00                    | 18,11           | 65 100              | 102 790                        | 3,07              |
| 60-3              | <b>KAZ 60-3 RIV</b>  | 0,750  | 0,500                 | 0,469              | 0,234           | 2,807         | 0,713                    | 0,898           | 21 450              | 32 250                         | 3,05              |
|                   |                      | 19,050 | 12,70                 | 11,91              | 5,94            | 71,30         | 18,10                    | 22,80           | 95 400              | 143 400                        | 4,54              |
| 80-3              | <b>KAZ 80-3 RIV</b>  | 1,000  | 0,622                 | 0,625              | 0,312           | 3,587         | 0,945                    | 1,154           | 38 250              | 57 150                         | 5,30              |
|                   |                      | 25,400 | 15,80                 | 15,88              | 7,92            | 91,10         | 24,00                    | 29,30           | 170 100             | 254 100                        | 7,89              |
| 100-3             | <b>KAZ 100-3 RIV</b> | 1,250  | 0,748                 | 0,750              | 0,375           | 4,402         | 1,181                    | 1,409           | 59 700              | 85 740                         | 7,82              |
|                   |                      | 31,750 | 19,00                 | 19,05              | 9,52            | 111,80        | 30,00                    | 35,80           | 265 500             | 381 000                        | 11,64             |
| 120-3             | <b>KAZ 120-3 RIV</b> | 1,500  | 1,000                 | 0,875              | 0,437           | 5,575         | 1,421                    | 1,787           | 85 680              | 116 450                        | 11,68             |
|                   |                      | 38,100 | 25,40                 | 22,23              | 11,10           | 141,60        | 36,10                    | 45,40           | 381 000             | 517 850                        | 17,38             |
| 140-3             | <b>KAZ 140-3 RIV</b> | 1,750  | 1,000                 | 1,000              | 0,500           | 6,012         | 1,661                    | 1,925           | 116 310             | 152 900                        | 14,83             |
|                   |                      | 44,450 | 25,40                 | 25,40              | 12,70           | 152,70        | 42,20                    | 48,90           | 517 200             | 679 940                        | 22,07             |
| 160-3             | <b>KAZ 160-3 RIV</b> | 2,000  | 1,250                 | 1,125              | 0,562           | 7,118         | 1,890                    | 2,303           | 153 000             | 196 440                        | 20,07             |
|                   |                      | 50,800 | 31,75                 | 28,58              | 14,27           | 180,80        | 48,00                    | 58,50           | 680 400             | 873 570                        | 29,87             |
| 180-3             | <b>KAZ 180-3 RIV</b> | 2,250  | 1,406                 | 1,406              | 0,687           | 8,051         | 2,142                    | 2,592           | 189 840             | 260 760                        | 25,42             |
|                   |                      | 57,150 | 35,70                 | 35,72              | 17,45           | 204,50        | 54,40                    | 65,84           | 844 200             | 1 159 590                      | 37,83             |
| 200-3             | <b>KAZ 200-3 RIV</b> | 2,500  | 1,500                 | 1,562              | 0,781           | 8,799         | 2,374                    | 2,817           | 234 375             | 335 760                        | 32,94             |
|                   |                      | 63,500 | 38,10                 | 39,68              | 19,84           | 223,50        | 60,30                    | 71,55           | 1 042 200           | 1 493 100                      | 49,02             |
| 240-3             | <b>KAZ 240-3 RIV</b> | 3,000  | 1,875                 | 1,875              | 0,937           | 10,681        | 2,850                    | 3,458           | 337 500             | 49 305                         | 48,11             |
|                   |                      | 76,200 | 47,63                 | 47,63              | 23,80           | 271,30        | 72,40                    | 87,83           | 1 500 900           | 2 192 580                      | 71,59             |

ROLLER CHAINS  
ROLLENKETTEN  
ŁAŃCUCHY ROLKOWE NAPĘDOWE



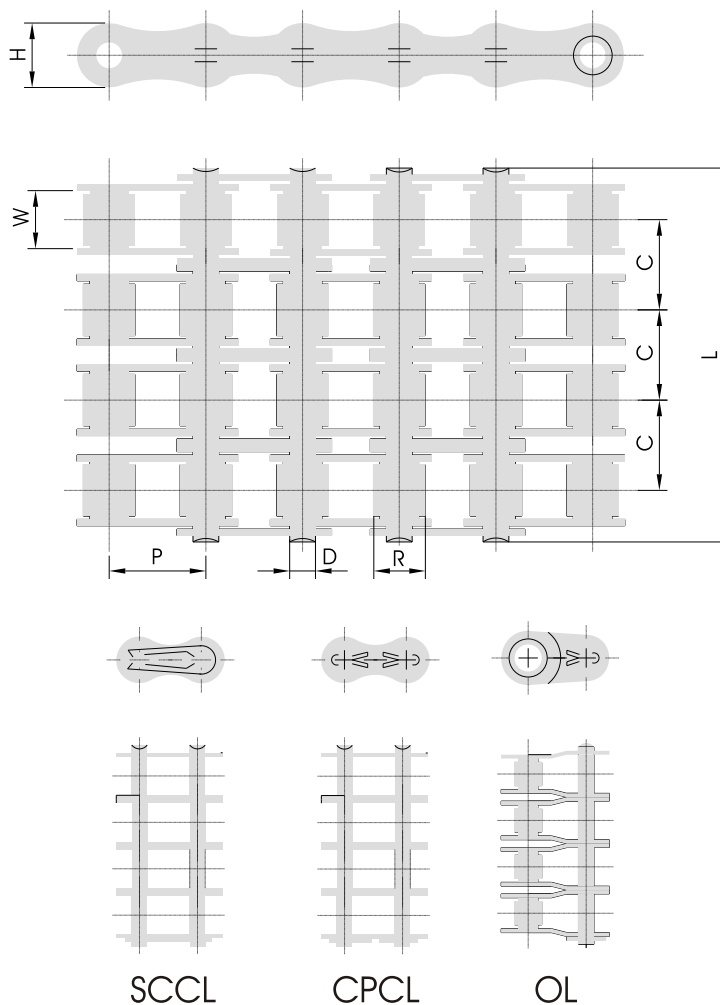
# QUADRUPLE STRAND ROLLER CHAINS

AMERICAN STANDARD (ANSI)

VIERFACH-ROLLENKETTEN

ANSI B29.1M, DIN 8188, ISO 606, PN/M-84168

CZTERORZĘDOWE



| Chain No.<br>ANSI | Model                | Pitch | Working dimensions | Roller dia. / Ø | Pin dia. / Ø | Pin length | Height of plate links | Axis spacing | Tensile strength | Average tensile strength | Approx. weight |
|-------------------|----------------------|-------|--------------------|-----------------|--------------|------------|-----------------------|--------------|------------------|--------------------------|----------------|
|                   |                      | P     | W min<br>R max     | Ø<br>R max      | D max        | L max      | H max                 | C            | min ANSI         | [lbs.]                   | q              |
|                   |                      | [in.] | [in.]              | [in.]           | [in.]        | [in.]      | [in.]                 | [in.]        | [lbs.]           | [lbs.]                   | [lbs./ft]      |
|                   |                      | [mm]  | [mm]               | [mm]            | [mm]         | [mm]       | [mm]                  | [mm]         | [N]              | [N]                      | [kg/m]         |
| 40-4              | <b>KAZ 40-4 RIV</b>  | 0,500 | 0,312              | 0,312           | 0,156        | 2,354      | 0,465                 | 0,566        | 12 500           | 18 550                   | 1,70           |
|                   |                      | 12,70 | 7,92               | 7,92            | 3,96         | 59,80      | 11,80                 | 14,38        | 55 700           | 82 550                   | 2,53           |
| 50-4              | <b>KAZ 50-4 RIV</b>  | 0,625 | 0,375              | 0,400           | 0,200        | 2,950      | 0,591                 | 0,713        | 19 520           | 30 500                   | 2,76           |
|                   |                      | 15,88 | 9,52               | 10,16           | 5,08         | 74,9       | 15,00                 | 18,11        | 86 900           | 135 720                  | 4,11           |
| 60-4              | <b>KAZ 60-4 RIV</b>  | 0,750 | 0,500              | 0,460           | 0,234        | 3,704      | 0,713                 | 0,898        | 28 120           | 43 000                   | 4,06           |
|                   |                      | 19,05 | 12,70              | 11,91           | 5,94         | 94,10      | 18,10                 | 22,80        | 125 050          | 191 200                  | 6,04           |
| 80-4              | <b>KAZ 80-4 RIV</b>  | 1,000 | 0,622              | 0,625           | 0,312        | 4,740      | 0,945                 | 1,154        | 50 000           | 76 200                   | 7,06           |
|                   |                      | 25,40 | 15,80              | 15,88           | 7,92         | 120,4      | 24,00                 | 29,30        | 222 300          | 338 800                  | 10,51          |
| 100-4             | <b>KAZ 100-4 RIV</b> | 1,250 | 0,748              | 0,750           | 0,375        | 5,811      | 1,181                 | 1,409        | 78 120           | 114 320                  | 10,55          |
|                   |                      | 31,75 | 19,00              | 19,05           | 9,52         | 147,60     | 30,00                 | 35,80        | 347 400          | 508 000                  | 15,70          |
| 120-4             | <b>KAZ 120-4 RIV</b> | 1,500 | 1,000              | 0,875           | 0,437        | 7,362      | 1,421                 | 1,787        | 112 500          | 155 300                  | 15,70          |
|                   |                      | 38,10 | 25,40              | 22,23           | 11,10        | 187,0      | 36,10                 | 45,40        | 500 300          | 690 600                  | 23,36          |
| 140-4             | <b>KAZ 140-4 RIV</b> | 1,750 | 1,000              | 1,000           | 0,500        | 7,902      | 1,661                 | 1,925        | 153 120          | 203 850                  | 19,16          |
|                   |                      | 44,45 | 25,40              | 25,40           | 12,70        | 200,70     | 42,20                 | 48,90        | 680 900          | 906 520                  | 28,51          |
| 160-4             | <b>KAZ 160-4 RIV</b> | 2,000 | 1,250              | 1,125           | 0,562        | 9,469      | 1,890                 | 2,303        | 200 000          | 261 920                  | 26,92          |
|                   |                      | 50,80 | 31,75              | 28,58           | 14,27        | 240,5      | 48,00                 | 58,50        | 889 400          | 1 164 760                | 40,06          |
| 180-4             | <b>KAZ 180-4 RIV</b> | 2,250 | 1,406              | 1,406           | 0,687        | 10,602     | 2,142                 | 2,592        | 253 120          | 347 680                  | 34,20          |
|                   |                      | 57,15 | 35,70              | 35,72           | 17,45        | 269,30     | 54,40                 | 65,84        | 1 125 600        | 1 546 120                | 50,90          |
| 200-4             | <b>KAZ 200-4 RIV</b> | 2,500 | 1,500              | 1,562           | 0,781        | 11,544     | 2,374                 | 2,817        | 312 500          | 447 680                  | 43,79          |
|                   |                      | 63,50 | 38,10              | 39,68           | 19,84        | 293,2      | 60,30                 | 71,55        | 1 389 700        | 1 990 800                | 65,16          |
| 240-4             | <b>KAZ 240-4 RIV</b> | 3,000 | 1,875              | 1,875           | 0,937        | 14,158     | 2,850                 | 3,458        | 450 000          | 657 400                  | 63,90          |
|                   |                      | 46,20 | 47,63              | 47,63           | 23,80        | 359,60     | 72,40                 | 87,83        | 2 001 150        | 2 923 440                | 95,10          |





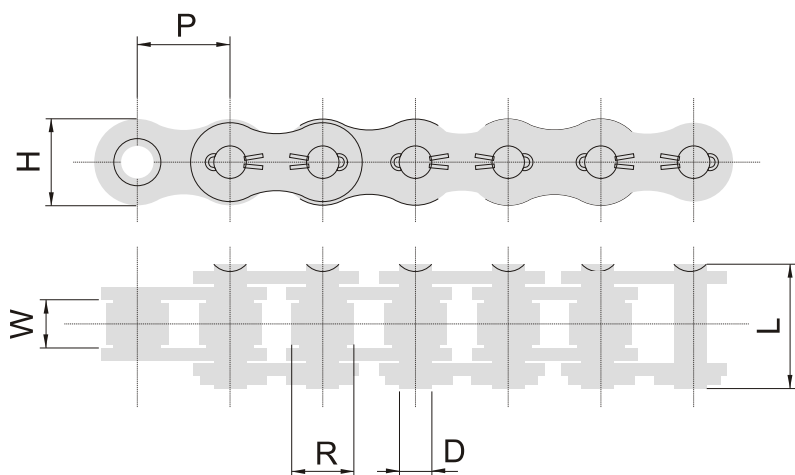
# SINGLE STRAND ROLLER CHAINS

AMERICAN STANDARD (ANSI)

EINFACH-ROLLENKETTEN

ANSI B29.1M, DIN 8188, ISO 606, PN/M-84168

JEDNORZĘDOWE (ŁAŃCUCHY TYPU COT)



| Chain No.<br>ISO/DIN | Dimensions<br>P x W | Model              | Pitch  | Working dimensions |       | Roller dia. / $\emptyset$ | Pin dia. / $\emptyset$ | Pin length | Height of plate links | Average tensile strength | Approx. weight |
|----------------------|---------------------|--------------------|--------|--------------------|-------|---------------------------|------------------------|------------|-----------------------|--------------------------|----------------|
|                      |                     |                    | P      | W min              | R max | D max                     | L max                  | H max      | strength              | q                        |                |
|                      | [in.]               |                    | [in.]  | [in.]              | [in.] | [in.]                     | [in.]                  | [in.]      | [in.]                 | [lbs.]                   | [lbs./ft.]     |
|                      |                     |                    | [mm]   | [mm]               | [mm]  | [mm]                      | [mm]                   | [mm]       | [mm]                  | [N]                      | [kg/m]         |
| 60                   | 3/4"x1/2"           | <b>KAZ 60 COT</b>  | 0,750  | 0,500              | 0,469 | 0,234                     | 1,094                  | 0,713      | 10 750                | 1,06                     |                |
|                      |                     |                    | 19,050 | 12,70              | 11,91 | 5,94                      | 27,80                  | 18,10      | 47 800                | 1,58                     |                |
| 80                   | 1"x5/8"             | <b>KAZ 80 COT</b>  | 1,000  | 0,622              | 0,625 | 0,312                     | 1,398                  | 0,945      | 19 050                | 1,83                     |                |
|                      |                     |                    | 25,400 | 15,80              | 15,88 | 7,92                      | 35,50                  | 24,00      | 84 700                | 2,72                     |                |
| 100                  | 1"1/4x3/4"          | <b>KAZ 100 COT</b> | 1,250  | 0,748              | 0,750 | 0,375                     | 1,713                  | 1,181      | 28 580                | 2,68                     |                |
|                      |                     |                    | 31,750 | 19,00              | 19,05 | 9,52                      | 43,50                  | 30,00      | 127 000               | 3,99                     |                |
| 120                  | 1"1/2x1"            | <b>KAZ 120 COT</b> | 1,500  | 1,000              | 0,875 | 0,437                     | 2,118                  | 1,421      | 40 480                | 3,98                     |                |
|                      |                     |                    | 38,100 | 25,40              | 22,23 | 11,10                     | 53,80                  | 36,10      | 180 000               | 5,92                     |                |
| 140                  | 1"3/4x1"            | <b>KAZ 140 COT</b> | 1,750  | 1,000              | 1,000 | 0,500                     | 2,311                  | 1,661      | 52 390                | 5,03                     |                |
|                      |                     |                    | 44,450 | 25,40              | 25,40 | 12,70                     | 58,70                  | 42,20      | 232 980               | 7,49                     |                |
| 160                  | 2"x1"1/4"           | <b>KAZ 160 COT</b> | 2,000  | 1,250              | 1,125 | 0,562                     | 2,717                  | 1,890      | 65 480                | 6,79                     |                |
|                      |                     |                    | 50,800 | 31,75              | 28,58 | 14,27                     | 69,00                  | 48,00      | 291 190               | 10,11                    |                |
| 180                  | 2,25x1,406          | <b>KAZ 180 COT</b> | 2,250  | 1,406              | 1,406 | 0,687                     | 3,075                  | 2,142      | 86 920                | 9,04                     |                |
|                      |                     |                    | 57,150 | 35,70              | 35,72 | 17,45                     | 78,10                  | 54,40      | 386 530               | 13,45                    |                |
| 200                  | 2"1/2x1"1/2"        | <b>KAZ 200 COT</b> | 2,500  | 1,500              | 1,562 | 0,781                     | 3,563                  | 2,374      | 111 920               | 11,04                    |                |
|                      |                     |                    | 63,500 | 38,10              | 39,68 | 19,84                     | 90,50                  | 60,30      | 497 700               | 16,43                    |                |
| 240                  | 3"x1"7/8"           | <b>KAZ 240 COT</b> | 3,000  | 1,875              | 1,875 | 0,937                     | 4,173                  | 2,850      | 164 350               | 16,86                    |                |
|                      |                     |                    | 76,200 | 47,63              | 47,63 | 23,80                     | 106,00                 | 72,40      | 730 860               | 25,09                    |                |

ROLLER CHAINS  
ROLLENKETTEN  
ŁAŃCUCHY ROLKOWE NAPĘDOWE



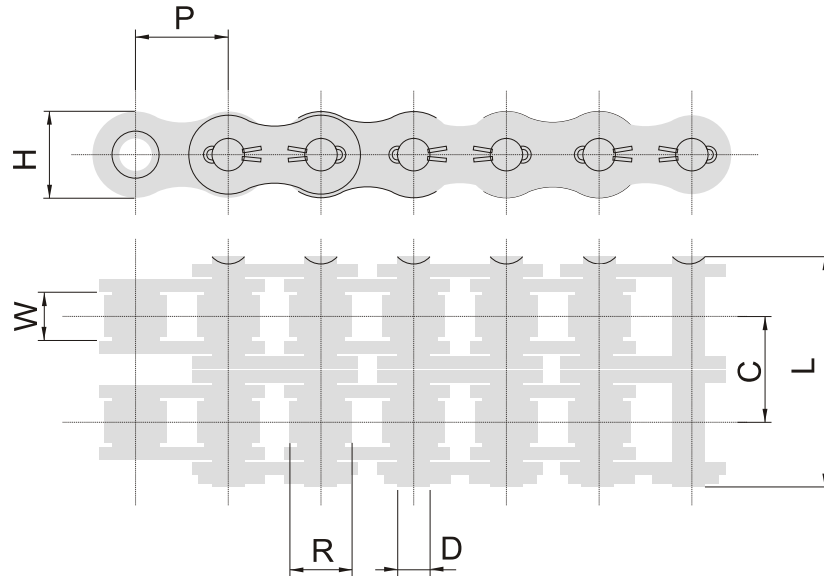
# DUPLEX STRAND ROLLER CHAINS

AMERICAN STANDARD (ANSI)

ZWEIFACH-ROLLENKETTEN

ANSI B29.1M, DIN 8188, ISO 606, PN/M-84168

DWURZĘDOWE (ŁAŃCUCHY TYPU COT)



| Chain No.<br>ISO/DIN | Dimensions<br>P x W | Model                | Pitch  | Working<br>dimensions | Roller<br>dia. / Ø | Pin<br>dia. / Ø | Pin<br>length | Height of<br>plate links | Axis<br>spacing | Average<br>tensile<br>strength | Approx.<br>weight<br>q |
|----------------------|---------------------|----------------------|--------|-----------------------|--------------------|-----------------|---------------|--------------------------|-----------------|--------------------------------|------------------------|
|                      |                     |                      | P      | W min                 | R max              | D max           | L max         | H max                    | C               | [lbs.]                         | [lbs./ft.]             |
|                      | [in.]               |                      | [in.]  | [in.]                 | [in.]              | [in.]           | [in.]         | [in.]                    | [in.]           | [N]                            | [kg/m]                 |
| 60-2                 | 3/4"x1/2"           | <b>KAZ 60-2 COT</b>  | 0,750  | 0,500                 | 0,469              | 0,234           | 1,992         | 0,713                    | 0,898           | 21 500                         | 2,07                   |
|                      |                     |                      | 19,500 | 12,70                 | 11,91              | 5,94            | 50,60         | 18,10                    | 22,80           | 95 600                         | 3,10                   |
| 80-2                 | 1"x5/8"             | <b>KAZ 80-2 COT</b>  | 1,000  | 0,622                 | 0,625              | 0,312           | 2,551         | 0,945                    | 1,154           | 38 100                         | 3,58                   |
|                      |                     |                      | 25,400 | 15,80                 | 15,88              | 7,92            | 64,80         | 24,00                    | 29,30           | 169 400                        | 5,33                   |
| 100-2                | 1"1/4x3/4"          | <b>KAZ 100-2 COT</b> | 1,250  | 0,748                 | 0,750              | 0,375           | 3,122         | 1,181                    | 1,409           | 57 160                         | 5,27                   |
|                      |                     |                      | 31,750 | 19,00                 | 19,05              | 9,52            | 79,30         | 30,00                    | 35,80           | 254 000                        | 7,84                   |
| 120-2                | 1"1/2x1"            | <b>KAZ 120-2 COT</b> | 1,500  | 1,000                 | 0,875              | 0,437           | 3,906         | 1,421                    | 1,787           | 77 650                         | 7,86                   |
|                      |                     |                      | 38,100 | 25,40                 | 22,23              | 11,10           | 99,20         | 36,10                    | 45,40           | 345 300                        | 11,70                  |
| 140-2                | 1"3/4x1"            | <b>KAZ 140-2 COT</b> | 1,750  | 1,000                 | 1,000              | 0,500           | 4,236         | 1,661                    | 1,925           | 101 920                        | 8,97                   |
|                      |                     |                      | 44,450 | 25,40                 | 25,40              | 12,70           | 107,60        | 42,20                    | 48,90           | 453 240                        | 13,35                  |
| 160-2                | 2"x1"1/4"           | <b>KAZ 160-2 COT</b> | 2,000  | 1,250                 | 1,125              | 0,562           | 5,020         | 1,890                    | 2,303           | 130 960                        | 13,47                  |
|                      |                     |                      | 50,800 | 31,75                 | 28,58              | 14,27           | 127,50        | 48,00                    | 58,50           | 582 380                        | 20,04                  |
| 180-2                | 2,25x1,406          | <b>KAZ 180-2 COT</b> | 2,250  | 1,406                 | 1,406              | 0,687           | 5,555         | 2,142                    | 2,592           | 173 840                        | 17,82                  |
|                      |                     |                      | 57,150 | 35,70                 | 35,72              | 17,45           | 144,10        | 54,40                    | 65,84           | 773 060                        | 26,52                  |
| 200-2                | 2"1/2x1"1/2"        | <b>KAZ 200-2 COT</b> | 2,500  | 1,500                 | 1,562              | 0,781           | 6,382         | 2,374                    | 2,817           | 223 840                        | 21,93                  |
|                      |                     |                      | 63,500 | 38,10                 | 39,68              | 19,84           | 162,10        | 60,30                    | 71,55           | 995 400                        | 32,63                  |
| 240-2                | 3"x1"7/8"           | <b>KAZ 240-2 COT</b> | 3,000  | 1,875                 | 1,875              | 0,937           | 7,665         | 2,850                    | 3,458           | 328 700                        | 32,72                  |
|                      |                     |                      | 76,200 | 48,63                 | 47,63              | 23,80           | 194,70        | 72,40                    | 87,83           | 1 461 720                      | 48,69                  |

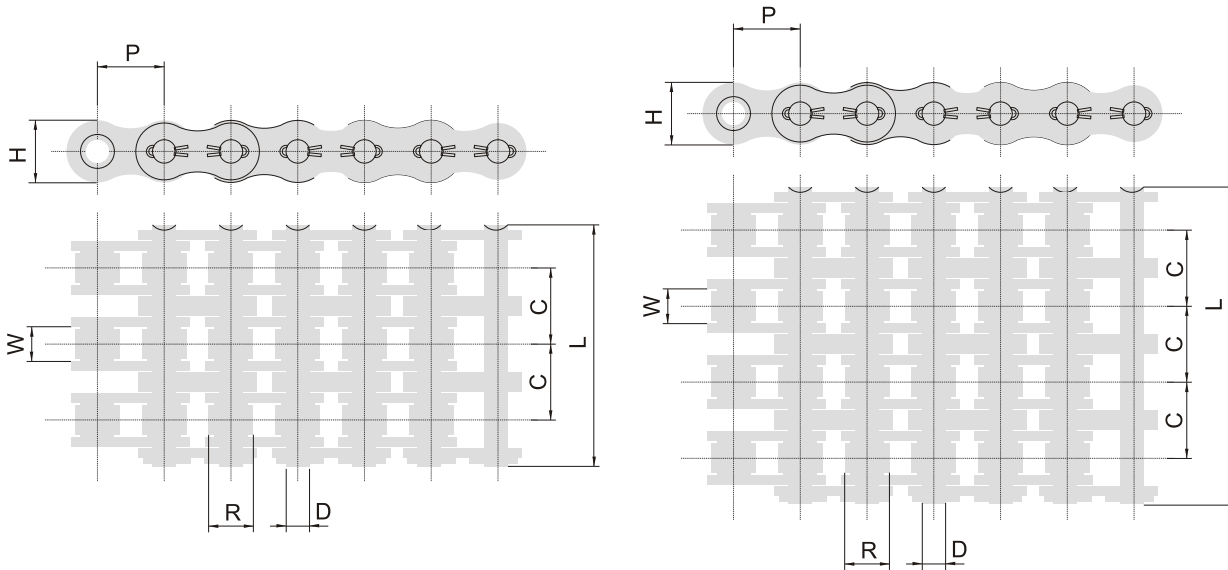


# TRIPLE, QUADRUPLE STRAND ROLLER CHAINS AMERICAN STANDARD (ANSI)

ANSI B29.1M, DIN 8188, ISO 606, PN/M-84168

DREIFACH UND VIERFACH-ROLLENKETTEN

TRZYRZĘDOWE I CZTERORZĘDOWE (ŁAŃCUCHY TYPU COT)



| Chain No.<br>ISO/DIN | Dimensions<br>P x W | Model                | Pitch<br>P | Working dimensions |       | Roller dia. / Ø<br>R max | Pin dia. / Ø<br>D max | Pin length<br>L max | Height of plate links<br>H max | Axis spacing<br>C | Average tensile strength | Approx. weight<br>q |
|----------------------|---------------------|----------------------|------------|--------------------|-------|--------------------------|-----------------------|---------------------|--------------------------------|-------------------|--------------------------|---------------------|
|                      |                     |                      |            | [in.]              | [mm]  |                          |                       |                     |                                |                   |                          |                     |
| 60-3                 | 3/4"x1/2"           | <b>KAZ 60-3 COT</b>  | 0,750      | 0,500              | 0,469 | 0,234                    | 2,890                 | 0,713               | 0,898                          | 32 250            | 3,08                     |                     |
|                      |                     |                      | 19,050     | 12,70              | 11,91 | 5,94                     | 73,40                 | 18,10               | 22,80                          | 143 400           | 4,58                     |                     |
| 80-3                 | 1"x5/8"             | <b>KAZ 80-3 COT</b>  | 1,000      | 0,622              | 0,625 | 0,312                    | 3,705                 | 0,945               | 1,154                          | 57 150            | 5,34                     |                     |
|                      |                     |                      | 25,400     | 15,80              | 15,88 | 7,92                     | 94,10                 | 24,00               | 29,30                          | 254 100           | 7,95                     |                     |
| 100-3                | 1" 1/4x3/4"         | <b>KAZ 100-3 COT</b> | 1,250      | 0,748              | 0,750 | 0,375                    | 4,531                 | 1,181               | 1,409                          | 85 740            | 7,91                     |                     |
|                      |                     |                      | 31,750     | 19,00              | 19,05 | 9,52                     | 115,10                | 30,00               | 35,80                          | 381 000           | 11,77                    |                     |
| 120-3                | 1" 1/2x1"           | <b>KAZ 120-3 COT</b> | 1,500      | 1,000              | 0,875 | 0,437                    | 5,693                 | 1,421               | 1,787                          | 116 450           | 11,78                    |                     |
|                      |                     |                      | 38,100     | 25,40              | 22,23 | 11,10                    | 144,60                | 36,10               | 45,40                          | 517 850           | 17,53                    |                     |
| 140-3                | 1" 3/4x1"           | <b>KAZ 140-3 COT</b> | 1,750      | 1,000              | 1,000 | 0,500                    | 6,161                 | 1,661               | 1,925                          | 152 900           | 14,92                    |                     |
|                      |                     |                      | 44,450     | 25,40              | 25,40 | 12,70                    | 156,50                | 42,20               | 48,90                          | 679 940           | 22,20                    |                     |
| 160-3                | 2"x1" 1/4           | <b>KAZ 160-3 COT</b> | 2,000      | 1,250              | 1,125 | 0,562                    | 7,323                 | 1,890               | 2,303                          | 196 440           | 20,17                    |                     |
|                      |                     |                      | 50,800     | 31,75              | 28,58 | 14,27                    | 186,00                | 48,00               | 58,50                          | 873 570           | 30,01                    |                     |
| 180-3                | 2,25x1,406          | <b>KAZ 180-3 COT</b> | 2,250      | 1,406              | 1,406 | 0,687                    | 8,276                 | 2,142               | 2,592                          | 260 760           | 25,68                    |                     |
|                      |                     |                      | 57,150     | 35,72              | 35,72 | 17,45                    | 210,20                | 54,40               | 65,84                          | 1 159 590         | 38,21                    |                     |
| 200-3                | 2" 1/2x1" 1/2       | <b>KAZ 200-3 COT</b> | 2,500      | 1,500              | 1,562 | 0,781                    | 8,945                 | 2,374               | 2,817                          | 335 760           | 33,09                    |                     |
|                      |                     |                      | 63,500     | 38,10              | 39,68 | 19,84                    | 227,20                | 60,30               | 71,55                          | 1 493 100         | 49,24                    |                     |
| 240-3                | 3"x1" 7/8           | <b>KAZ 240-3 COT</b> | 3,000      | 1,875              | 1,875 | 0,937                    | 10,984                | 2,850               | 3,458                          | 493 050           | 48,51                    |                     |
|                      |                     |                      | 76,200     | 47,63              | 47,63 | 23,80                    | 279,00                | 72,40               | 87,83                          | 2 192 580         | 72,19                    |                     |

| Chain No.<br>ISO/DIN | Dimensions<br>P x W | Model                | Pitch<br>P | Working dimensions |       | Roller dia. / Ø<br>R max | Pin dia. / Ø<br>D max | Pin length<br>L max | Height of plate links<br>H max | Axis spacing<br>C | Average tensile strength | Approx. weight<br>q |
|----------------------|---------------------|----------------------|------------|--------------------|-------|--------------------------|-----------------------|---------------------|--------------------------------|-------------------|--------------------------|---------------------|
|                      |                     |                      |            | [in.]              | [mm]  |                          |                       |                     |                                |                   |                          |                     |
| 60-4                 | 3/4"x1/2"           | <b>KAZ 60-4 COT</b>  | 0,750      | 0,500              | 0,469 | 0,234                    | 3,787                 | 0,713               | 0,898                          | 43 000            | 4,11                     |                     |
|                      |                     |                      | 19,050     | 12,70              | 11,91 | 5,94                     | 96,20                 | 18,10               | 22,80                          | 191 200           | 6,12                     |                     |
| 80-4                 | 1"x5/8"             | <b>KAZ 80-4 COT</b>  | 1,000      | 0,622              | 0,625 | 0,312                    | 4,858                 | 0,945               | 1,154                          | 76 200            | 7,12                     |                     |
|                      |                     |                      | 25,400     | 15,80              | 15,88 | 7,92                     | 123,40                | 24,00               | 29,30                          | 338 800           | 10,60                    |                     |
| 100-4                | 1" 1/4x3/4"         | <b>KAZ 100-4 COT</b> | 1,250      | 0,748              | 0,750 | 0,375                    | 5,941                 | 1,181               | 1,409                          | 114 320           | 10,62                    |                     |
|                      |                     |                      | 31,750     | 19,00              | 19,05 | 9,52                     | 150,90                | 30,00               | 35,80                          | 508 000           | 15,80                    |                     |
| 120-4                | 1" 1/2x1"           | <b>KAZ 120-4 COT</b> | 1,500      | 1,000              | 0,875 | 0,437                    | 7,480                 | 1,421               | 1,787                          | 155 300           | 15,82                    |                     |
|                      |                     |                      | 38,100     | 25,40              | 22,23 | 11,10                    | 190,00                | 36,10               | 45,40                          | 690 600           | 23,54                    |                     |
| 140-4                | 1" 3/4x1"           | <b>KAZ 140-4 COT</b> | 1,750      | 1,000              | 1,000 | 0,500                    | 8,087                 | 1,661               | 1,925                          | 203 850           | 19,25                    |                     |
|                      |                     |                      | 44,450     | 25,40              | 25,40 | 12,70                    | 205,40                | 42,20               | 48,90                          | 906 520           | 28,65                    |                     |
| 160-4                | 2"x1" 1/4           | <b>KAZ 160-4 COT</b> | 2,000      | 1,250              | 1,125 | 0,562                    | 9,654                 | 1,890               | 2,303                          | 261 920           | 27,03                    |                     |
|                      |                     |                      | 50,800     | 31,75              | 28,58 | 14,27                    | 245,20                | 48,00               | 58,50                          | 1 164 760         | 40,22                    |                     |
| 180-4                | 2,25x1,406          | <b>KAZ 180-4 COT</b> | 2,250      | 1,406              | 1,406 | 0,687                    | 10,870                | 2,142               | 2,592                          | 347 680           | 34,32                    |                     |
|                      |                     |                      | 57,150     | 35,72              | 35,72 | 17,45                    | 276,10                | 54,40               | 65,84                          | 1 546 120         | 51,07                    |                     |
| 200-4                | 2" 1/2x1" 1/2       | <b>KAZ 200-4 COT</b> | 2,500      | 1,500              | 1,562 | 0,781                    | 11,768                | 2,374               | 2,817                          | 447 680           | 43,95                    |                     |
|                      |                     |                      | 63,500     | 38,10              | 39,68 | 19,84                    | 298,90                | 60,30               | 71,55                          | 1 990 800         | 65,40                    |                     |
| 240-4                | 3"x1" 7/8           | <b>KAZ 240-4 COT</b> | 3,000      | 1,875              | 1,875 | 0,937                    | 14,453                | 2,850               | 3,458                          | 657 400           | 64,12                    |                     |
|                      |                     |                      | 76,200     | 47,63              | 47,63 | 23,80                    | 367,10                | 72,40               | 87,83                          | 2 923 440         | 95,41                    |                     |

ROLLER CHAINS  
ROLLENKETTEN  
ŁAŃCUCHY ROLKOWE NAPĘDOWE



# SINGLE STRAND ROLLER CHAINS

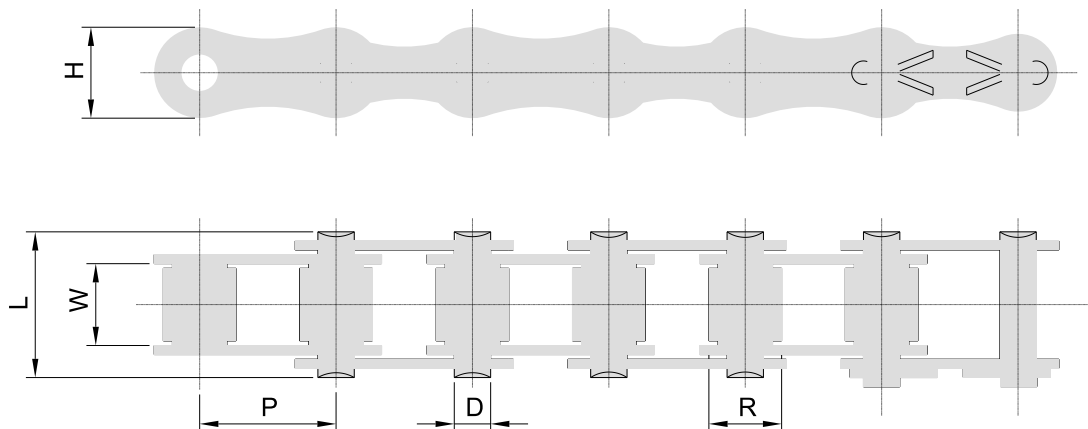
AMERICAN STANDARD (ANSI)

EINFACH-ROLLENKETTEN

ANSI B29.1M, DIN 8188, ISO 606, PN/M-84168

JEDNORZĘDOWE (WZMOCNIONE)

ROLLER CHAINS  
ROLLENKETTEN  
ŁAŃCUCHY ROLKOWE NAPĘDOWE



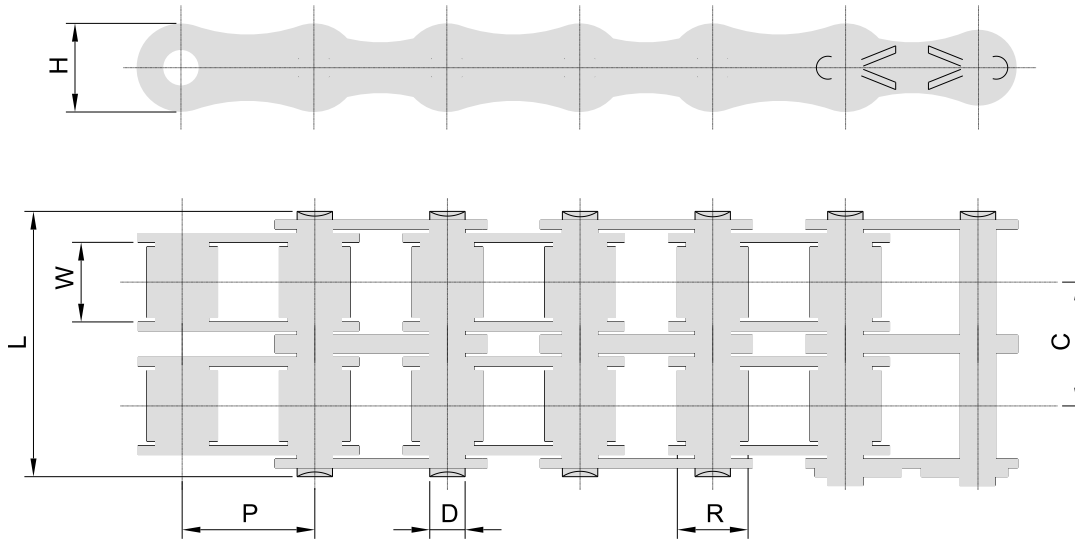
| Model            | Dimensions   | Pitch  | Working dimensions |       | Roller dia. / Ø | Pin dia. / Ø | Pin length | Width of plate links | Average tensile strength | Approx. weight q |
|------------------|--------------|--------|--------------------|-------|-----------------|--------------|------------|----------------------|--------------------------|------------------|
|                  | P x W        |        | W min              | R max | D max           | L max        | H max      |                      |                          |                  |
|                  | [in.]        | [in.]  | [in.]              | [in.] | [in.]           | [in.]        | [in.]      | [in.]                | [lbs.]                   | [lbs./ft.]       |
|                  |              | [mm]   | [mm]               | [mm]  | [mm]            | [mm]         | [mm]       | [mm]                 | [N]                      | [kg/m]           |
| <b>KAZ 40HD</b>  | 1/2"x5/16"   | 0,500  | 0,312              | 0,312 | 0,156           | 0,752        | 0,472      | 5 710                | 0,52                     |                  |
|                  |              | 12,700 | 7,92               | 7,92  | 3,96            | 19,10        | 12,00      | 25 390               | 0,77                     |                  |
| <b>KAZ 50HD</b>  | 5/8"x3/8"    | 0,625  | 0,375              | 0,400 | 0,200           | 0,874        | 0,591      | 8 920                | 0,80                     |                  |
|                  |              | 15,875 | 9,52               | 10,16 | 5,08            | 22,20        | 15,00      | 39 670               | 1,19                     |                  |
| <b>KAZ 60HD</b>  | 3/4"x1/2"    | 0,750  | 0,500              | 0,469 | 0,234           | 1,166        | 0,713      | 13 500               | 1,20                     |                  |
|                  |              | 19,050 | 12,70              | 11,91 | 5,94            | 29,60        | 18,10      | 60 000               | 1,79                     |                  |
| <b>KAZ 80HD</b>  | 1"x5/8"      | 1,000  | 0,625              | 0,625 | 0,312           | 1,440        | 0,945      | 22 570               | 2,10                     |                  |
|                  |              | 25,400 | 15,88              | 15,88 | 7,92            | 36,60        | 24,00      | 100 400              | 3,13                     |                  |
| <b>KAZ 100HD</b> | 1"1/4x3/4"   | 1,250  | 0,750              | 0,750 | 0,375           | 1,720        | 1,181      | 34 500               | 3,06                     |                  |
|                  |              | 31,750 | 19,05              | 19,05 | 9,52            | 43,70        | 30,00      | 153 400              | 4,55                     |                  |
| <b>KAZ 120HD</b> | 1"1/2x1"     | 1,500  | 1,000              | 0,875 | 0,437           | 2,126        | 1,421      | 46 500               | 4,40                     |                  |
|                  |              | 38,100 | 25,40              | 22,23 | 11,10           | 54,00        | 36,10      | 206 800              | 6,55                     |                  |
| <b>KAZ 140HD</b> | 1"3/4x1"     | 1,750  | 1,000              | 1,000 | 0,500           | 2,280        | 1,661      | 60 500               | 5,55                     |                  |
|                  |              | 44,450 | 25,40              | 25,40 | 12,70           | 57,90        | 42,20      | 269 000              | 8,26                     |                  |
| <b>KAZ 160HD</b> | 2"x1"1/4"    | 2,000  | 1,250              | 1,125 | 0,562           | 2,679        | 1,890      | 77 500               | 7,38                     |                  |
|                  |              | 50,800 | 31,75              | 28,58 | 14,27           | 68,00        | 48,00      | 344 600              | 10,98                    |                  |
| <b>KAZ 200HD</b> | 2"1/2x1"1/2" | 2,500  | 1,500              | 1,562 | 0,781           | 3,390        | 2,374      | 135 700              | 12,37                    |                  |
|                  |              | 63,500 | 38,10              | 39,68 | 19,84           | 86,10        | 60,30      | 603 500              | 18,41                    |                  |
| <b>KAZ 240HD</b> | 3"x1"7/8"    | 3,000  | 1,875              | 1,875 | 0,937           | 4,318        | 2,850      | 214 000              | 19,61                    |                  |
|                  |              | 76,200 | 47,63              | 47,63 | 23,80           | 109,70       | 72,40      | 952 000              | 29,18                    |                  |

# DUPLEX STRAND ROLLER CHAINS

AMERICAN STANDARD (ANSI)

ZWEIFACH-ROLLENKETTEN  
DWURZĘDOWE (WZMOCNIONE)

ANSI B29.1M, DIN 8188, ISO 606, PN/M-84168



| Model              | Dimensions  | Pitch  | Working dimensions |       | Roller dia. / Ø | Pin dia. / Ø | Pin length | Width of plate links | Axis spacing | Average tensile strength | Approx. weight q |
|--------------------|-------------|--------|--------------------|-------|-----------------|--------------|------------|----------------------|--------------|--------------------------|------------------|
|                    | P x W       |        | W min              | R max | D max           | H max        |            |                      |              |                          |                  |
|                    | [in.]       | [in.]  | [in.]              | [in.] | [in.]           | [in.]        | [in.]      | [in.]                | [in.]        | [lbs.]                   | [lbs./ft.]       |
|                    |             | [mm]   | [mm]               | [mm]  | [mm]            | [mm]         | [mm]       | [mm]                 | [mm]         | [N]                      | [kg/m]           |
| <b>KAZ 60HD-2</b>  | 3/4"x1/2"   | 0,750  | 0,500              | 0,469 | 0,234           | 2,169        | 0,713      | 1,028                | 27 100       | 2,43                     |                  |
|                    |             | 19,050 | 12,70              | 11,91 | 5,94            | 55,10        | 18,10      | 26,10                | 120 500      | 3,62                     |                  |
| <b>KAZ 80HD-2</b>  | 1"x5/8"     | 1,000  | 0,625              | 0,625 | 0,312           | 2,724        | 0,945      | 1,283                | 45 200       | 4,16                     |                  |
|                    |             | 25,400 | 15,88              | 15,88 | 7,92            | 69,20        | 24,00      | 32,60                | 201 000      | 6,19                     |                  |
| <b>KAZ 100HD-2</b> | 1"1/4x3/4"  | 1,250  | 0,750              | 0,750 | 0,375           | 3,268        | 1,181      | 1,539                | 69 000       | 6,08                     |                  |
|                    |             | 31,750 | 19,05              | 19,05 | 9,52            | 83,00        | 30,00      | 39,10                | 306 800      | 9,05                     |                  |
| <b>KAZ 120HD-2</b> | 1"1/2x1"    | 1,500  | 1,000              | 0,875 | 0,437           | 4,047        | 1,421      | 1,924                | 92 900       | 8,65                     |                  |
|                    |             | 38,100 | 25,40              | 22,23 | 11,10           | 102,80       | 36,10      | 48,90                | 413 100      | 12,87                    |                  |
| <b>KAZ 140HD-2</b> | 1"3/4x1"    | 1,750  | 1,000              | 1,000 | 0,500           | 4,342        | 1,661      | 2,055                | 122 000      | 11,01                    |                  |
|                    |             | 44,450 | 25,40              | 25,40 | 12,70           | 110,30       | 42,20      | 52,20                | 542 500      | 16,38                    |                  |
| <b>KAZ 160HD-2</b> | 2"x1"1/4    | 2,000  | 1,250              | 1,125 | 0,562           | 5,122        | 1,890      | 2,437                | 154 500      | 14,65                    |                  |
|                    |             | 50,800 | 31,75              | 28,58 | 14,27           | 130,10       | 48,00      | 61,90                | 687 000      | 21,80                    |                  |
| <b>KAZ 200HD-2</b> | 2"1/2x1"1/2 | 2,500  | 1,500              | 1,562 | 0,781           | 6,476        | 2,374      | 3,083                | 272 000      | 24,49                    |                  |
|                    |             | 63,500 | 38,10              | 39,68 | 19,84           | 164,50       | 60,30      | 78,30                | 1 209 600    | 36,44                    |                  |
| <b>KAZ 240HD-2</b> | 3"x1"7/8    | 3,000  | 1,875              | 1,875 | 0,937           | 8,315        | 2,850      | 3,985                | 428 600      | 38,51                    |                  |
|                    |             | 76,200 | 47,63              | 47,63 | 23,80           | 211,20       | 72,40      | 101,20               | 1 906 000    | 57,31                    |                  |

ROLLER CHAINS  
ROLLENKETTEN  
ŁAŃCUCHY ROLKOWE NAPĘDOWE



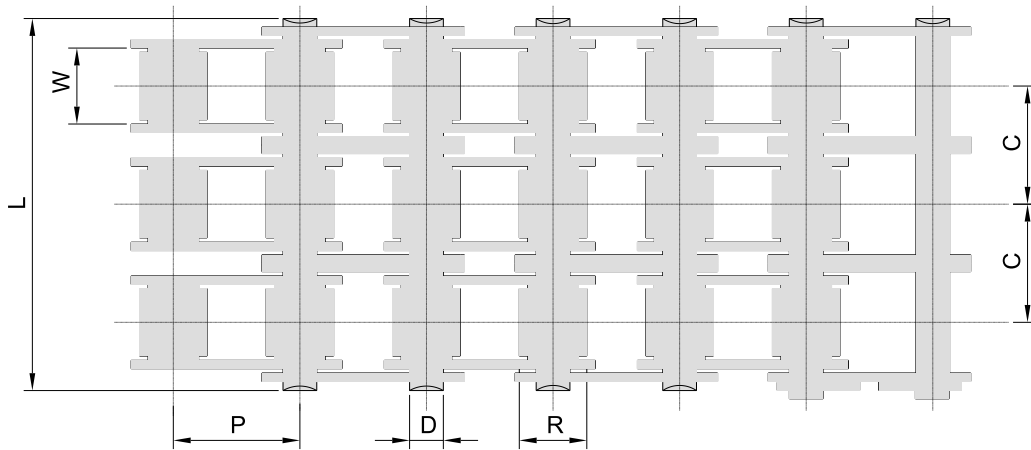
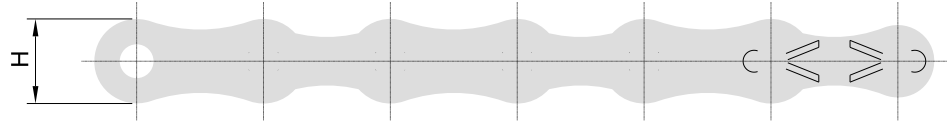
# TRIPLE STRAND ROLLER CHAINS

AMERICAN STANDARD (ANSI)

DREIFACH-ROLLENKETTEN

ANSI B29.1M, DIN 8188, ISO 606, PN/M-84168

TRZYRZĘDOWE (WZMOCNIONE)



| Model              | Dimensions  | Pitch  | Working dimensions | Roller dia. / Ø | Pin dia. / Ø | Pin length | Width of plate links | Axis spacing | Average tensile strength | Approx. weight q |
|--------------------|-------------|--------|--------------------|-----------------|--------------|------------|----------------------|--------------|--------------------------|------------------|
|                    | P x W       |        |                    |                 |              |            |                      |              |                          |                  |
|                    | [in.]       | [in.]  | [in.]              | [in.]           | [in.]        | [in.]      | [in.]                | [in.]        | [N]                      | [kg/m]           |
| <b>KAZ 60HD-3</b>  | 3/4"x1/2"   | 0,750  | 0,500              | 0,469           | 0,234        | 3,244      | 0,713                | 1,028        | 40 300                   | 3,62             |
|                    |             | 19,050 | 12,70              | 11,91           | 5,94         | 82,40      | 18,10                | 26,10        | 179 200                  | 5,39             |
| <b>KAZ 80HD-3</b>  | 1"x5/8"     | 1,000  | 0,625              | 0,625           | 0,312        | 4,020      | 0,945                | 1,283        | 68 000                   | 6,21             |
|                    |             | 25,400 | 15,88              | 15,88           | 7,92         | 102,10     | 24,00                | 32,60        | 302 400                  | 9,24             |
| <b>KAZ 100HD-3</b> | 1"1/4x3/4"  | 1,250  | 0,750              | 0,750           | 0,375        | 4,815      | 1,181                | 1,539        | 104 000                  | 9,11             |
|                    |             | 31,750 | 19,05              | 19,05           | 9,52         | 122,30     | 30,00                | 39,10        | 462 500                  | 13,56            |
| <b>KAZ 120HD-3</b> | 1"1/2x1"    | 1,500  | 1,000              | 0,875           | 0,437        | 5,984      | 1,421                | 1,924        | 140 000                  | 13,00            |
|                    |             | 38,100 | 25,40              | 22,23           | 11,10        | 152,00     | 36,10                | 48,90        | 622 580                  | 19,35            |
| <b>KAZ 140HD-3</b> | 1"3/4x1"    | 1,750  | 1,000              | 1,000           | 0,500        | 6,406      | 1,661                | 2,055        | 182 000                  | 16,48            |
|                    |             | 44,450 | 25,40              | 25,40           | 12,70        | 162,70     | 42,20                | 52,20        | 809 350                  | 24,52            |
| <b>KAZ 160HD-3</b> | 2"x1"1/4    | 2,000  | 1,250              | 1,125           | 0,562        | 7,531      | 1,890                | 2,437        | 232 000                  | 21,91            |
|                    |             | 50,800 | 31,75              | 28,58           | 14,27        | 191,30     | 48,00                | 61,90        | 1 031 700                | 32,60            |
| <b>KAZ 200HD-3</b> | 2"1/2x1"1/2 | 2,500  | 1,500              | 1,562           | 0,781        | 9,539      | 2,374                | 3,083        | 408 000                  | 36,76            |
|                    |             | 63,500 | 38,10              | 39,68           | 19,84        | 242,30     | 60,30                | 78,30        | 1 814 400                | 54,70            |
| <b>KAZ 240HD-3</b> | 3"x1"7/8    | 3,000  | 1,875              | 1,875           | 0,937        | 12,244     | 2,850                | 3,985        | 650 000                  | 57,35            |
|                    |             | 76,200 | 47,63              | 47,63           | 23,80        | 311,00     | 72,40                | 101,20       | 2 890 550                | 85,34            |





# SINGLE STRAND ROLLER CHAINS

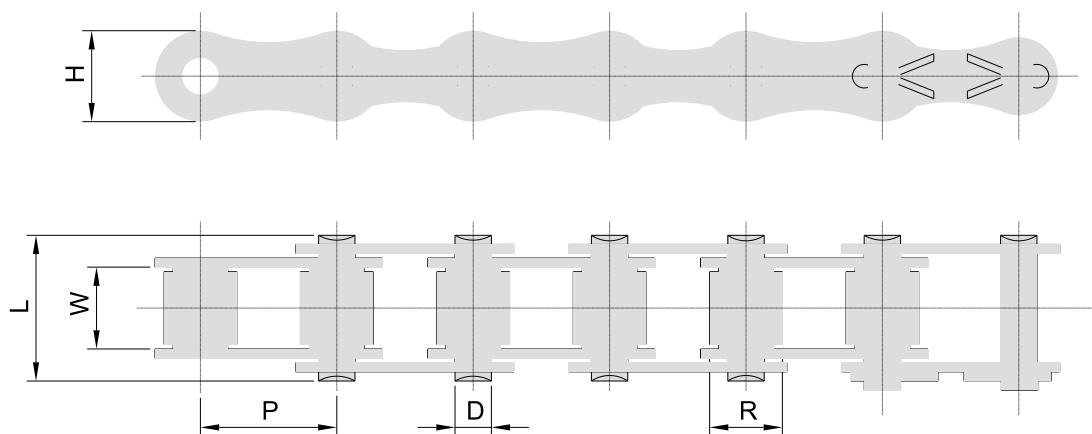
AMERICAN STANDARD (ANSI)

EINFACH-ROLLENKETTEN

ANSI B29.1M, DIN 8188, ISO 606, PN/M-84168

JEDNORZĘDOWE (WZMOCNIONE)

ROLLER CHAINS  
ROLLENKETTEN  
ŁAŃCUCHY ROLKOWE NAPĘDOWE



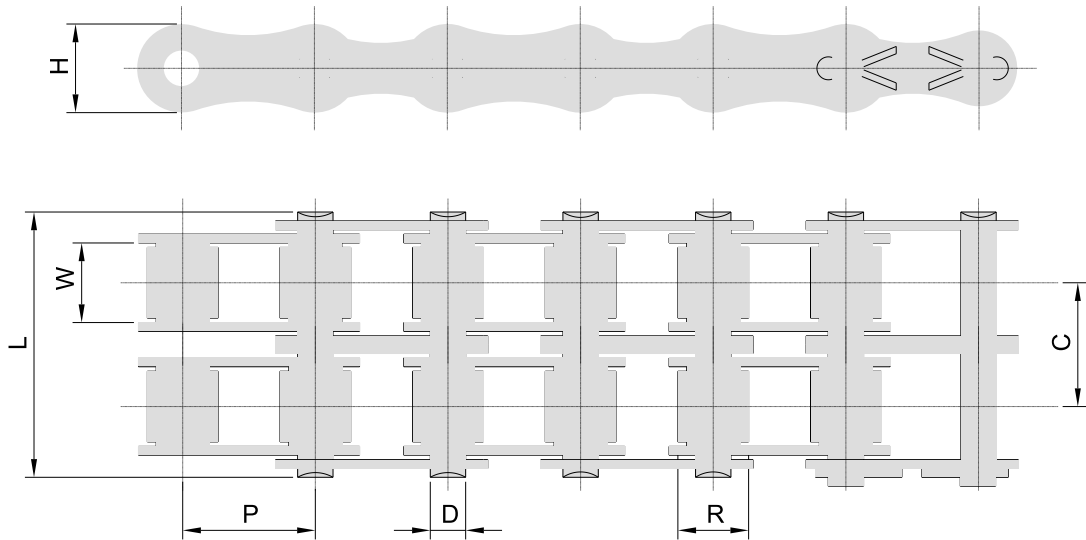
| Model           | Dimensions   | Pitch  | Working dimensions | Roller dia. / Ø | Pin dia. / Ø | Pin length | Width of plate links | Average tensile strength | Approx. weight q |
|-----------------|--------------|--------|--------------------|-----------------|--------------|------------|----------------------|--------------------------|------------------|
|                 | P x W        |        |                    |                 |              |            |                      |                          |                  |
|                 | [in.]        | [in.]  | [in.]              | [in.]           | [in.]        | [in.]      | [in.]                | [lbs.]                   | [lbs./ft.]       |
|                 |              | [mm]   | [mm]               | [mm]            | [mm]         | [mm]       | [mm]                 | [N]                      | [kg/m]           |
| <b>KAZ 60H</b>  | 3/4"x1/2"    | 0,750  | 0,500              | 0,469           | 0,234        | 1,166      | 0,713                | 10 700                   | 1,19             |
|                 |              | 19,050 | 12,70              | 11,91           | 5,94         | 29,60      | 18,10                | 47 580                   | 1,77             |
| <b>KAZ 80H</b>  | 1"x5/8"      | 1,000  | 0,625              | 0,625           | 0,312        | 1,440      | 0,945                | 19 000                   | 2,07             |
|                 |              | 25,400 | 15,88              | 15,88           | 7,92         | 36,60      | 24,00                | 84 500                   | 3,08             |
| <b>KAZ 100H</b> | 1"1/4x3/4"   | 1,250  | 0,750              | 0,750           | 0,375        | 1,720      | 1,181                | 28 500                   | 3,05             |
|                 |              | 31,750 | 19,05              | 19,05           | 9,52         | 43,70      | 30,00                | 126 700                  | 4,54             |
| <b>KAZ 120H</b> | 1"1/2x1"     | 1,500  | 1,000              | 0,875           | 0,437        | 2,126      | 1,421                | 40 500                   | 4,36             |
|                 |              | 38,100 | 25,40              | 22,23           | 11,10        | 54,00      | 36,10                | 180 100                  | 6,50             |
| <b>KAZ 140H</b> | 1"3/4x1"     | 1,750  | 1,000              | 1,000           | 0,500        | 2,280      | 1,661                | 52 400                   | 5,56             |
|                 |              | 44,450 | 25,40              | 25,40           | 12,70        | 57,90      | 42,20                | 233 000                  | 8,27             |
| <b>KAZ 160H</b> | 2"x1"1/4"    | 2,000  | 1,250              | 1,125           | 0,562        | 2,679      | 1,890                | 65 500                   | 7,36             |
|                 |              | 50,800 | 31,75              | 28,58           | 14,27        | 68,00      | 48,00                | 291 300                  | 10,95            |
| <b>KAZ 200H</b> | 2"1/2x1"1/2" | 2,500  | 1,500              | 1,562           | 0,781        | 3,390      | 2,374                | 112 000                  | 12,36            |
|                 |              | 63,500 | 38,10              | 39,68           | 19,84        | 86,10      | 60,30                | 498 000                  | 18,40            |
| <b>KAZ 240H</b> | 3"x1"7/8"    | 3,000  | 1,875              | 1,875           | 0,937        | 4,318      | 2,850                | 164 000                  | 19,58            |
|                 |              | 76,200 | 47,63              | 47,63           | 23,80        | 109,70     | 72,40                | 729 300                  | 29,14            |

# DUPLEX STRAND ROLLER CHAINS

AMERICAN STANDARD (ANSI)

ZWEIFACH-ROLLENKETTEN  
DWURZĘDOWE (WZMOCNIONE)

ANSI B29.1M, DIN 8188, ISO 606, PN/M-84168



| Model             | Dimensions   | Pitch  | Working dimensions | Roller dia. / Ø | Pin dia. / Ø | Pin length | Width of plate links | Axis spacing | Average tensile strength | Approx. weight q |
|-------------------|--------------|--------|--------------------|-----------------|--------------|------------|----------------------|--------------|--------------------------|------------------|
|                   | P x W        |        |                    |                 |              |            |                      |              |                          |                  |
|                   | [in.]        | [in.]  | [in.]              | [in.]           | [in.]        | [in.]      | [in.]                | [in.]        | [N]                      | [kg/m]           |
| <b>KAZ 60H-2</b>  | 3/4"x1/2"    | 0,750  | 0,500              | 0,469           | 0,234        | 2,169      | 0,713                | 1,028        | 21 500                   | 2,45             |
|                   |              | 19,050 | 12,70              | 11,91           | 5,94         | 55,10      | 18,10                | 26,10        | 95 600                   | 3,65             |
| <b>KAZ 80H-2</b>  | 1"x5/8"      | 1,000  | 0,625              | 0,625           | 0,312        | 2,724      | 0,945                | 1,283        | 38 100                   | 4,17             |
|                   |              | 25,400 | 15,88              | 15,88           | 7,92         | 69,20      | 24,00                | 32,60        | 169 400                  | 6,21             |
| <b>KAZ 100H-2</b> | 1"1/4x3/4"   | 1,250  | 0,750              | 0,750           | 0,375        | 3,268      | 1,181                | 1,539        | 57 200                   | 6,10             |
|                   |              | 31,750 | 19,05              | 19,05           | 9,52         | 83,00      | 30,00                | 39,10        | 254 360                  | 9,08             |
| <b>KAZ 120H-2</b> | 1"1/2x1"     | 1,500  | 1,000              | 0,875           | 0,437        | 4,047      | 1,421                | 1,924        | 77 000                   | 8,65             |
|                   |              | 38,100 | 25,40              | 22,23           | 11,10        | 102,80     | 36,10                | 48,90        | 342 400                  | 12,87            |
| <b>KAZ 140H-2</b> | 1"3/4x1"     | 1,750  | 1,000              | 1,000           | 0,500        | 4,342      | 1,661                | 2,055        | 102 000                  | 11,03            |
|                   |              | 44,450 | 25,40              | 25,40           | 12,70        | 110,30     | 42,20                | 52,20        | 453 600                  | 16,41            |
| <b>KAZ 160H-2</b> | 2"x1"1/4"    | 2,000  | 1,250              | 1,125           | 0,562        | 5,122      | 1,890                | 2,437        | 130 900                  | 14,65            |
|                   |              | 50,800 | 31,75              | 28,58           | 14,27        | 130,10     | 48,00                | 61,90        | 582 100                  | 21,80            |
| <b>KAZ 200H-2</b> | 2"1/2x1"1/2" | 2,500  | 1,500              | 1,562           | 0,781        | 6,476      | 2,374                | 3,083        | 224 000                  | 24,53            |
|                   |              | 63,500 | 38,10              | 39,68           | 19,84        | 164,50     | 60,30                | 78,30        | 996 100                  | 36,50            |
| <b>KAZ 240H-2</b> | 3"x1"7/8"    | 3,000  | 1,875              | 1,875           | 0,937        | 8,315      | 2,850                | 3,985        | 329 000                  | 38,51            |
|                   |              | 76,200 | 47,63              | 47,63           | 23,80        | 211,20     | 72,40                | 101,20       | 1 463 000                | 57,31            |



# TRIPLE STRAND ROLLER CHAINS

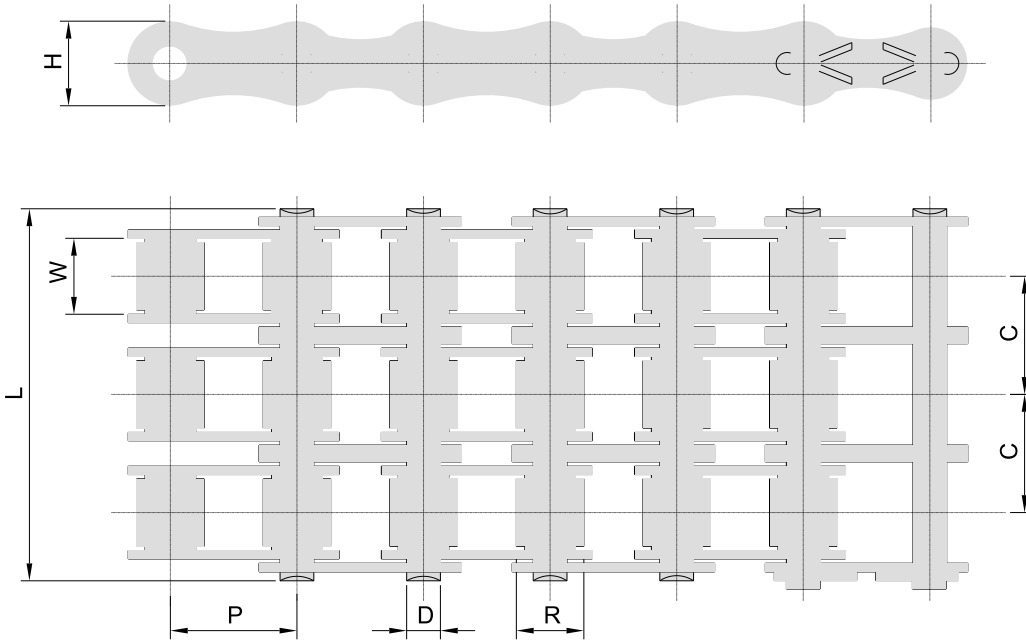
AMERICAN STANDARD (ANSI)

ANSI B29.1M, DIN 8188, ISO 606, PN/M-84168

DREIFACH-ROLLENKETTEN

TRZYRZĘDOWE (WZMOCNIONE)

ROLLER CHAINS  
ROLLENKETTEN  
ŁAŃCUCHY ROLKOWE NAPĘDOWE



| Model             | Dimensions  | Pitch<br>P | Working dimensions |       | Roller dia. / Ø | Pin dia. / Ø | Pin length<br>L max | Width of plate links<br>H max | Axis spacing<br>C | Average tensile strength | Approx. weight<br>q |
|-------------------|-------------|------------|--------------------|-------|-----------------|--------------|---------------------|-------------------------------|-------------------|--------------------------|---------------------|
|                   | P x W       |            | W min              | R max | D max           | C            |                     |                               |                   |                          |                     |
|                   | [in.]       | [in.]      | [in.]              | [in.] | [in.]           | [in.]        | [in.]               | [in.]                         | [lbs.]            | [lbs./ft.]               |                     |
|                   |             | [mm]       | [mm]               | [mm]  | [mm]            | [mm]         | [mm]                | [mm]                          | [N]               | [kg/m]                   |                     |
| <b>KAZ 60H-3</b>  | 3/4"x1/2"   | 0,750      | 0,500              | 0,469 | 0,234           | 3,244        | 0,713               | 1,028                         | 32 200            | 3,64                     |                     |
|                   |             | 19,050     | 12,70              | 11,91 | 5,94            | 82,40        | 18,10               | 26,10                         | 143 200           | 5,42                     |                     |
| <b>KAZ 80H-3</b>  | 1"x5/8"     | 1,000      | 0,625              | 0,625 | 0,312           | 4,020        | 0,945               | 1,283                         | 57 200            | 6,23                     |                     |
|                   |             | 25,400     | 15,88              | 15,88 | 7,92            | 102,10       | 24,00               | 32,60                         | 254 400           | 9,27                     |                     |
| <b>KAZ 100H-3</b> | 1"1/4x3/4"  | 1,250      | 0,750              | 0,750 | 0,375           | 4,815        | 1,181               | 1,539                         | 85 700            | 9,12                     |                     |
|                   |             | 31,750     | 19,05              | 19,05 | 9,52            | 122,30       | 30,00               | 39,10                         | 381 100           | 13,57                    |                     |
| <b>KAZ 120H-3</b> | 1"1/2x1"    | 1,500      | 1,000              | 0,875 | 0,437           | 5,984        | 1,421               | 1,924                         | 116 500           | 13,03                    |                     |
|                   |             | 38,100     | 25,40              | 22,23 | 11,10           | 152,00       | 36,10               | 48,90                         | 518 100           | 19,39                    |                     |
| <b>KAZ 140H-3</b> | 1"3/4x1"    | 1,750      | 1,000              | 1,000 | 0,500           | 6,406        | 1,661               | 2,055                         | 152 900           | 16,50                    |                     |
|                   |             | 44,450     | 25,40              | 25,40 | 12,70           | 162,70       | 42,20               | 52,20                         | 680 000           | 24,55                    |                     |
| <b>KAZ 160H-3</b> | 2"x1"1/4    | 2,000      | 1,250              | 1,125 | 0,562           | 7,531        | 1,890               | 2,437                         | 196 500           | 21,91                    |                     |
|                   |             | 50,800     | 31,75              | 28,58 | 14,27           | 191,30       | 48,00               | 61,90                         | 873 800           | 32,60                    |                     |
| <b>KAZ 200H-3</b> | 2"1/2x1"1/2 | 2,500      | 1,500              | 1,562 | 0,781           | 9,539        | 2,374               | 3,083                         | 336 000           | 36,82                    |                     |
|                   |             | 63,500     | 38,10              | 39,68 | 19,84           | 242,30       | 60,30               | 78,30                         | 1 494 200         | 54,79                    |                     |
| <b>KAZ 240H-3</b> | 3"x1"7/8    | 3,000      | 1,875              | 1,875 | 0,937           | 12,244       | 2,850               | 3,985                         | 493 000           | 57,35                    |                     |
|                   |             | 76,200     | 47,63              | 47,63 | 23,80           | 311,00       | 72,40               | 101,20                        | 2 192 400         | 85,34                    |                     |



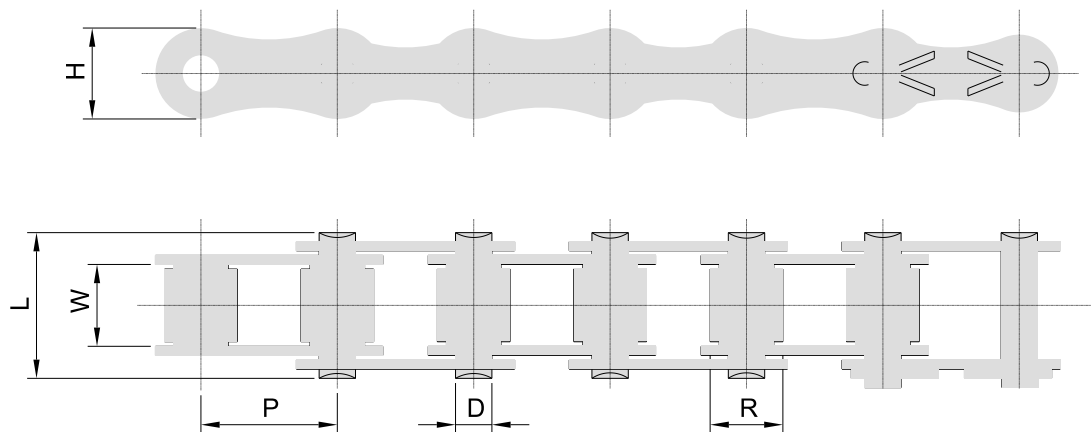
# SINGLE STRAND ROLLER CHAINS

AMERICAN STANDARD (ANSI)

EINFACH-ROLLENKETTEN

ANSI B29.1M, DIN 8188, ISO 606, PN/M-84168

JEDNORZĘDOWE (WZMOCNIONE)



| Model           | Dimensions   | Pitch  | Working dimensions |       | Roller dia. / Ø | Pin dia. / Ø | Pin length | Width of plate links | Average tensile strength | Approx. weight |
|-----------------|--------------|--------|--------------------|-------|-----------------|--------------|------------|----------------------|--------------------------|----------------|
|                 | P x W        |        | P                  | W min | R max           | D max        | L max      | H max                | Strength                 | q              |
|                 | [in.]        | [in.]  | [in.]              | [in.] | [in.]           | [in.]        | [in.]      | [in.]                | [lbs.]                   | [lbs./ft.]     |
|                 |              | [mm]   | [mm]               | [mm]  | [mm]            | [mm]         | [mm]       | [mm]                 | [N]                      | [kg/m]         |
| <b>KAZ 60D</b>  | 3/4"x1/2"    | 0,750  | 0,500              | 0,469 | 0,234           | 1,017        | 0,713      | 11 100               | 1,05                     |                |
|                 |              | 19,050 | 12,70              | 11,91 | 5,94            | 25,80        | 18,10      | 49 360               | 1,56                     |                |
| <b>KAZ 80D</b>  | 1"x5/8"      | 1,000  | 0,625              | 0,625 | 0,312           | 1,289        | 0,945      | 19 000               | 1,85                     |                |
|                 |              | 25,400 | 15,88              | 15,88 | 7,92            | 32,70        | 24,00      | 84 500               | 2,75                     |                |
| <b>KAZ 100D</b> | 1"1/4x3/4"   | 1,250  | 0,750              | 0,750 | 0,375           | 1,569        | 1,181      | 29 500               | 2,71                     |                |
|                 |              | 31,750 | 19,05              | 19,05 | 9,52            | 39,90        | 30,00      | 131 200              | 4,03                     |                |
| <b>KAZ 120D</b> | 1"1/2x1"     | 1,500  | 1,000              | 0,875 | 0,437           | 1,985        | 1,421      | 42 800               | 3,96                     |                |
|                 |              | 38,100 | 25,40              | 22,23 | 11,10           | 50,40        | 36,10      | 190 300              | 5,89                     |                |
| <b>KAZ 140D</b> | 1"3/4x1"     | 1,750  | 1,000              | 1,000 | 0,500           | 2,120        | 1,661      | 57 000               | 5,05                     |                |
|                 |              | 44,450 | 25,40              | 25,40 | 12,70           | 53,80        | 42,20      | 253 400              | 7,51                     |                |
| <b>KAZ 160D</b> | 2"x1"1/4"    | 2,000  | 1,250              | 1,125 | 0,562           | 2,508        | 1,890      | 73 700               | 6,80                     |                |
|                 |              | 50,800 | 31,75              | 28,58 | 14,27           | 63,70        | 48,00      | 327 700              | 10,12                    |                |
| <b>KAZ 200D</b> | 2"1/2x1"1/2" | 2,500  | 1,500              | 1,562 | 0,781           | 3,078        | 2,374      | 114 000              | 11,10                    |                |
|                 |              | 63,500 | 38,10              | 39,68 | 19,84           | 78,20        | 60,30      | 507 000              | 16,52                    |                |
| <b>KAZ 240D</b> | 3"x1"7/8"    | 3,000  | 1,875              | 1,875 | 0,937           | 3,783        | 2,850      | 167 000              | 16,47                    |                |
|                 |              | 76,200 | 47,63              | 47,63 | 23,80           | 96,10        | 72,40      | 742 500              | 24,51                    |                |

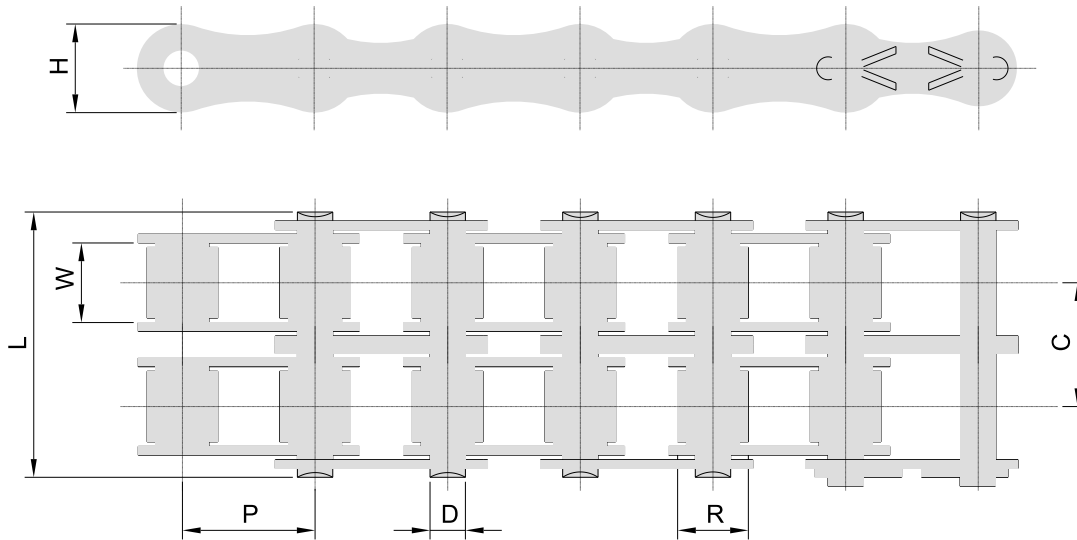


# DUPLEX STRAND ROLLER CHAINS

AMERICAN STANDARD (ANSI)

ZWEIFACH-ROLLENKETTEN  
DWURZĘDOWE (WZMOCNIONE)

ANSI B29.1M, DIN 8188, ISO 606, PN/M-84168



| Model             | Dimensions  | Pitch<br>P | Working dimensions |       | Roller dia. / Ø | Pin dia. / Ø | Pin length<br>L max | Width of plate links | Axis spacing<br>C | Average tensile strength | Approx. weight<br>q |
|-------------------|-------------|------------|--------------------|-------|-----------------|--------------|---------------------|----------------------|-------------------|--------------------------|---------------------|
|                   | P x W       |            | W min              | R max | D max           | H max        |                     |                      |                   |                          |                     |
|                   | [in.]       | [in.]      | [in.]              | [in.] | [in.]           | [in.]        | [in.]               | [in.]                | [in.]             | [lbs.]                   | [lbs./ft.]          |
|                   |             | [mm]       | [mm]               | [mm]  | [mm]            | [mm]         | [mm]                | [mm]                 | [mm]              | [N]                      | [kg/m]              |
| <b>KAZ 60D-2</b>  | 3/4"x1/2"   | 0,750      | 0,500              | 0,469 | 0,234           | 1,914        | 0,713               | 0,897                | 22 250            | 2,06                     |                     |
|                   |             | 19,050     | 12,70              | 11,91 | 5,94            | 48,60        | 18,10               | 22,80                | 99 000            | 3,07                     |                     |
| <b>KAZ 80D-2</b>  | 1"x5/8"     | 1,000      | 0,625              | 0,625 | 0,312           | 2,438        | 0,945               | 1,153                | 38 000            | 3,55                     |                     |
|                   |             | 25,400     | 15,88              | 15,88 | 7,92            | 61,90        | 24,00               | 29,30                | 167 000           | 5,28                     |                     |
| <b>KAZ 100D-2</b> | 1"1/4x3/4"  | 1,250      | 0,750              | 0,750 | 0,375           | 2,976        | 1,181               | 1,409                | 59 000            | 5,29                     |                     |
|                   |             | 31,750     | 19,05              | 19,05 | 9,52            | 75,60        | 30,00               | 35,80                | 262 400           | 7,87                     |                     |
| <b>KAZ 120D-2</b> | 1"1/2x1"    | 1,500      | 1,000              | 0,875 | 0,437           | 3,752        | 1,421               | 1,789                | 85 800            | 7,89                     |                     |
|                   |             | 38,100     | 25,40              | 22,23 | 11,10           | 95,30        | 36,10               | 45,45                | 381 550           | 11,74                    |                     |
| <b>KAZ 140D-2</b> | 1"3/4x1"    | 1,750      | 1,000              | 1,000 | 0,500           | 4,052        | 1,661               | 1,924                | 115 000           | 9,96                     |                     |
|                   |             | 44,450     | 25,40              | 25,40 | 12,70           | 102,90       | 42,20               | 48,90                | 511 400           | 14,82                    |                     |
| <b>KAZ 160D-2</b> | 2"x1"1/4    | 2,000      | 1,250              | 1,125 | 0,562           | 4,846        | 1,890               | 2,305                | 147 000           | 13,49                    |                     |
|                   |             | 50,800     | 31,75              | 28,58 | 14,27           | 123,10       | 48,00               | 58,55                | 653 700           | 20,07                    |                     |
| <b>KAZ 200D-2</b> | 2"1/2x1"1/2 | 2,500      | 1,500              | 1,562 | 0,781           | 5,898        | 2,374               | 2,817                | 228 500           | 21,96                    |                     |
|                   |             | 63,500     | 38,10              | 39,68 | 19,84           | 149,80       | 60,30               | 71,55                | 1 016 100         | 32,68                    |                     |
| <b>KAZ 240D-2</b> | 3"x1"7/8    | 3,000      | 1,875              | 1,875 | 0,937           | 7,240        | 2,850               | 3,458                | 333 000           | 32,35                    |                     |
|                   |             | 76,200     | 47,63              | 47,63 | 23,80           | 183,90       | 72,40               | 87,80                | 1 481 000         | 48,14                    |                     |

ROLLER CHAINS  
ROLLENKETTEN  
ŁAŃCUCHY ROLKOWE NAPĘDOWE



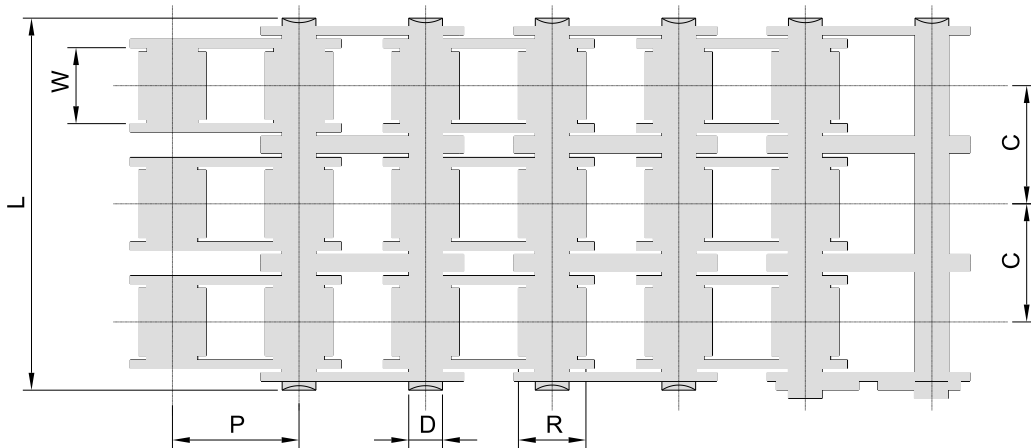
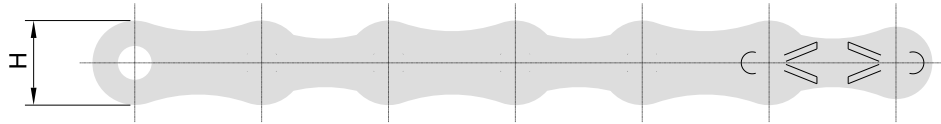
# TRIPLE STRAND ROLLER CHAINS

AMERICAN STANDARD (ANSI)

DREIFACH-ROLLENKETTEN

ANSI B29.1M, DIN 8188, ISO 606, PN/M-84168

TRZYRZĘDOWE (WZMOCNIONE)



| Model             | Dimensions  | Pitch  | Working dimensions | Roller dia. / Ø | Pin dia. / Ø | Pin length | Width of plate links | Axis spacing | Average tensile strength | Approx. weight q |
|-------------------|-------------|--------|--------------------|-----------------|--------------|------------|----------------------|--------------|--------------------------|------------------|
|                   | P x W       |        |                    |                 |              |            |                      |              |                          |                  |
|                   | [in.]       | [in.]  | [in.]              | [in.]           | [in.]        | [in.]      | [in.]                | [in.]        | [N]                      | [kg/m]           |
| <b>KAZ 60D-3</b>  | 3/4"x1/2"   | 0,750  | 0,500              | 0,469           | 0,234        | 2,812      | 0,713                | 0,897        | 33 400                   | 3,06             |
|                   |             | 19,050 | 12,70              | 11,91           | 5,94         | 71,40      | 18,10                | 22,80        | 148 500                  | 4,55             |
| <b>KAZ 80D-3</b>  | 1"x5/8"     | 1,000  | 0,625              | 0,625           | 0,312        | 3,596      | 0,945                | 1,153        | 57 000                   | 5,29             |
|                   |             | 25,400 | 15,88              | 15,88           | 7,92         | 91,30      | 24,00                | 29,30        | 253 500                  | 7,87             |
| <b>KAZ 100D-3</b> | 1"1/4x3/4"  | 1,250  | 0,750              | 0,750           | 0,375        | 4,386      | 1,181                | 1,409        | 88 400                   | 7,93             |
|                   |             | 31,750 | 19,05              | 19,05           | 9,52         | 111,40     | 30,00                | 35,80        | 393 100                  | 11,80            |
| <b>KAZ 120D-3</b> | 1"1/2x1"    | 1,500  | 1,000              | 0,875           | 0,437        | 5,559      | 1,421                | 1,789        | 128 600                  | 11,76            |
|                   |             | 38,100 | 25,40              | 22,23           | 11,10        | 141,20     | 36,10                | 45,45        | 571 900                  | 17,50            |
| <b>KAZ 140D-3</b> | 1"3/4x1"    | 1,750  | 1,000              | 1,000           | 0,500        | 5,996      | 1,661                | 1,924        | 171 400                  | 14,96            |
|                   |             | 44,450 | 25,40              | 25,40           | 12,70        | 152,30     | 42,20                | 48,90        | 762 200                  | 22,26            |
| <b>KAZ 160D-3</b> | 2"x1"1/4    | 2,000  | 1,250              | 1,125           | 0,562        | 7,150      | 1,890                | 2,305        | 221 300                  | 20,16            |
|                   |             | 50,800 | 31,75              | 28,58           | 14,27        | 181,60     | 48,00                | 58,55        | 984 100                  | 30,00            |
| <b>KAZ 200D-3</b> | 2"1/2x1"1/2 | 2,500  | 1,500              | 1,562           | 0,781        | 8,736      | 2,374                | 2,817        | 342 800                  | 32,95            |
|                   |             | 63,500 | 38,10              | 39,68           | 19,84        | 221,90     | 60,30                | 71,55        | 1 524 400                | 49,03            |
| <b>KAZ 240D-3</b> | 3"x1"7/8    | 3,000  | 1,875              | 1,875           | 0,937        | 10,713     | 2,850                | 3,458        | 499 900                  | 48,12            |
|                   |             | 76,200 | 47,63              | 47,63           | 23,80        | 272,10     | 72,40                | 87,80        | 2 223 000                | 71,61            |





# "FLYER" LEAF CHAINS

"Flyer" ketten  
Łańcuchy płytkowe "Flyer'a"

# B



# "FLYER" LEAF CHAINS

"Flyer" ketten  
Łańcuchy płytkowe "Flyer'a"

## Contents

## Page

*European standard (Metric)*

"Flyer" leaf chains

Chain No. ISO/DIN  
LL0622 - LL1066

B - 1

Chain No. ISO/DIN  
LL1022 - LL3288

B - 2

KAZ BL-422 - KAZ BL-566

B - 3

KAZ BL-622 - KAZ BL-1666

B - 4

KAZ AL-422 - KAZ AL-566

B - 5

KAZ AL-622 - KAZ AL-1666

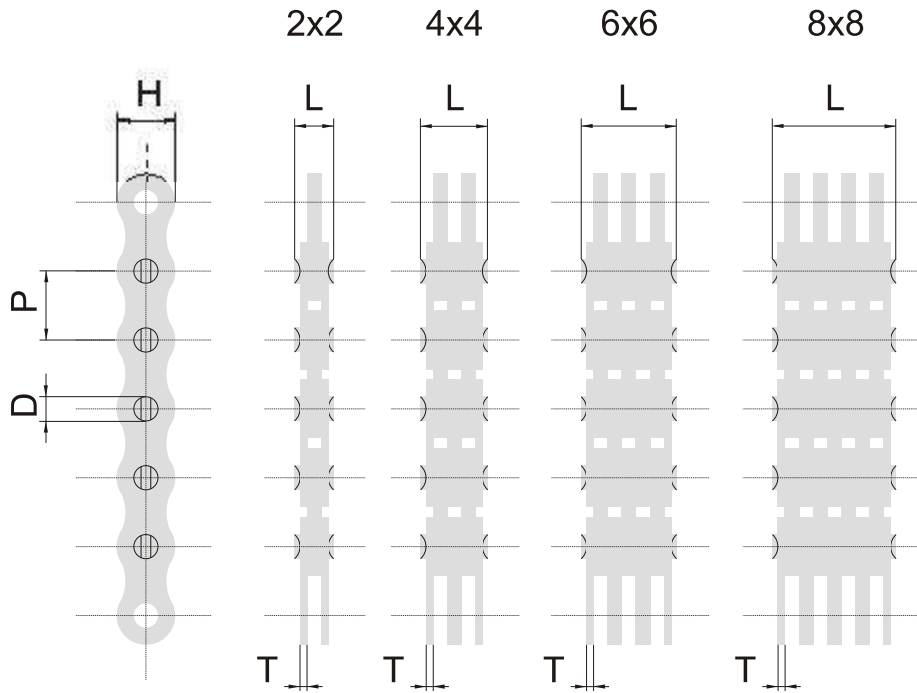
B - 6

# FLEYER LEAF CHAINS

FLEYERKETTEN

ŁAŃCUCHY PŁYTKOWE FLEYERA

DIN 8152, ISO 4347



| Chain No.<br>ISO/DIN | Model      | Pitch         | Plate<br>thickness | Height of<br>plate links | Pin<br>dia / Ø | Pin<br>length | Tensile<br>strength | Approx.<br>weight    |
|----------------------|------------|---------------|--------------------|--------------------------|----------------|---------------|---------------------|----------------------|
|                      |            | P             | T max              | H max                    | D max          | L max         | FB min.             | q                    |
|                      |            | [in.]<br>[mm] | [in.]<br>[mm]      | [in.]<br>[mm]            | [in.]<br>[mm]  | [in.]<br>[mm] | [lbs.]<br>[N]       | [lbs./ft.]<br>[kg/m] |
| LL0622               | LL-06B-2X2 | 0,375         | 0,040              | 0,325                    | 0,129          | 0,248         | 2 020               | 0,14                 |
|                      |            | 9,525         | 1,00               | 8,25                     | 3,28           | 6,30          | 9 000               | 0,21                 |
| LL0644               | LL-06B-4x4 | 0,375         | 0,040              | 0,325                    | 0,129          | 0,417         | 4 040               | 0,27                 |
|                      |            | 9,525         | 1,00               | 8,25                     | 3,28           | 10,6          | 18 000              | 0,40                 |
| LL0666               | LL-06B-6x6 | 0,375         | 0,040              | 0,325                    | 0,129          | 0,587         | 6 070               | 0,39                 |
|                      |            | 9,525         | 1,00               | 8,25                     | 3,28           | 14,9          | 27 000              | 0,58                 |
| LL0822               | LL-08B-2x2 | 0,500         | 0,051              | 0,425                    | 0,175          | 0,311         | 4 495               | 0,23                 |
|                      |            | 12,70         | 1,30               | 10,80                    | 4,45           | 7,90          | 20 000              | 0,34                 |
| LL0844               | LL-08B-4x4 | 0,500         | 0,051              | 0,425                    | 0,175          | 0,528         | 8 540               | 0,44                 |
|                      |            | 12,70         | 1,30               | 10,80                    | 4,45           | 13,4          | 38 000              | 0,65                 |
| LL0866               | LL-08B-6x6 | 0,500         | 0,051              | 0,425                    | 0,175          | 0,748         | 12 580              | 0,65                 |
|                      |            | 12,70         | 1,30               | 10,80                    | 4,45           | 19,00         | 56 000              | 0,97                 |
| LL1022               | LL-10B-2x2 | 0,625         | 0,065              | 0,512                    | 0,200          | 0,350         | 5 615               | 0,28                 |
|                      |            | 15,875        | 1,65               | 13,00                    | 5,08           | 8,90          | 25 000              | 0,42                 |
| LL1044               | LL-10B-4x4 | 0,625         | 0,065              | 0,512                    | 0,200          | 0,630         | 10 560              | 0,56                 |
|                      |            | 15,875        | 1,65               | 13,00                    | 5,08           | 16,00         | 47 000              | 0,83                 |
| LL1066               | LL-10B-6x6 | 0,625         | 0,065              | 0,512                    | 0,200          | 0,894         | 15 730              | 0,83                 |
|                      |            | 15,875        | 1,65               | 13,00                    | 5,08           | 22,70         | 70 000              | 1,23                 |

FLEYER LEAF CHAINS  
FLEYERKETTEN  
ŁAŃCUCHY PŁYTKOWE FLEYERA



# FLEYER LEAF CHAINS

FLEYERKETTEN

DIN 8152

ŁAŃCUCHY PŁYTKOWE FLEYERA

FLEYER LEAF CHAINS  
FLEYERKETTEN  
ŁAŃCUCHY PŁYTKOWE FLEYERA

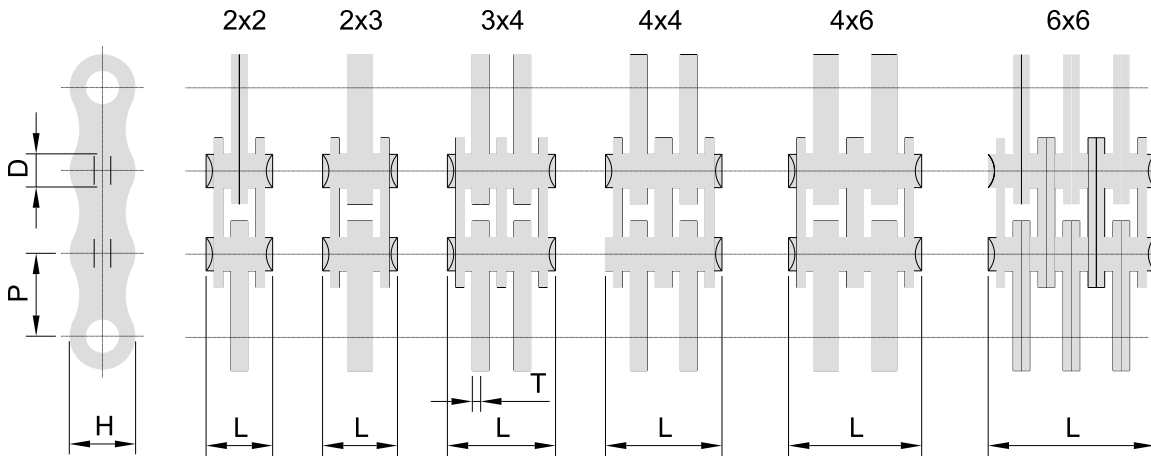
| Chain No.<br>ISO/DIN | Model        | Pitch  | Thickness<br>plate | Height of<br>plate links | Pin<br>dia. / Ø | Pin<br>length | Tensile<br>strength | Approx.<br>weight |
|----------------------|--------------|--------|--------------------|--------------------------|-----------------|---------------|---------------------|-------------------|
|                      |              | P      | T max              | H max                    | D max           | L max         | F <sub>B</sub> min. | q                 |
|                      |              | [in.]  | [in.]              | [in.]                    | [in.]           | [in.]         | [lbs.]              | [lbs./ft.]        |
|                      |              | [mm]   | [mm]               | [mm]                     | [mm]            | [mm]          | [N]                 | [kg/m]            |
| LL1022               | LL-10B-2x2 D | 0,625  | 0,06               | 0,50                     | 0,20            | 0,37          | 5 100               | 0,34              |
|                      |              | 15,875 | 1,60               | 12,60                    | 5,08            | 9,30          | 22 700              | 0,50              |
| LL1044               | LL-10B-4x4 D | 0,625  | 0,06               | 0,50                     | 0,20            | 0,65          | 10 200              | 0,63              |
|                      |              | 15,875 | 1,60               | 12,60                    | 5,08            | 16,40         | 45 400              | 0,94              |
| LL1066               | LL-10B-6x6 D | 0,625  | 0,06               | 0,50                     | 0,20            | 0,90          | 15 300              | 0,91              |
|                      |              | 15,875 | 1,60               | 12,60                    | 5,08            | 22,80         | 68 100              | 1,36              |
| LL1088               | LL-10B-8x8 D | 0,625  | 0,06               | 0,50                     | 0,20            | 1,15          | 20 400              | 1,22              |
|                      |              | 15,875 | 1,60               | 12,60                    | 5,08            | 29,20         | 98 000              | 1,82              |
| LL1222               | LL-12B-2x2   | 0,750  | 0,07               | 0,59                     | 0,23            | 0,40          | 6 630               | 0,47              |
|                      |              | 19,050 | 1,80               | 14,90                    | 5,72            | 10,20         | 29 500              | 0,70              |
| LL1244               | LL-12B-4x4   | 0,750  | 0,07               | 0,59                     | 0,23            | 0,70          | 13 260              | 0,83              |
|                      |              | 19,050 | 1,80               | 14,90                    | 5,72            | 17,80         | 59 000              | 1,23              |
| LL1266               | LL-12B-6x6   | 0,750  | 0,07               | 0,59                     | 0,23            | 1,00          | 19 890              | 1,24              |
|                      |              | 19,050 | 1,80               | 14,90                    | 5,72            | 25,50         | 88 500              | 1,85              |
| LL1288               | LL-12B-8x8   | 0,750  | 0,07               | 0,59                     | 0,23            | 1,43          | 30 130              | 1,61              |
|                      |              | 19,050 | 1,80               | 14,90                    | 5,72            | 36,20         | 134 000             | 2,40              |
| LL1622               | LL-16B-2x2   | 1,000  | 0,12               | 0,83                     | 0,33            | 0,66          | 13 040              | 1,05              |
|                      |              | 25,400 | 3,10               | 21,00                    | 8,28            | 16,80         | 58 000              | 1,56              |
| LL1644               | LL-16B-4x4   | 1,000  | 0,12               | 0,83                     | 0,33            | 1,17          | 26 080              | 2,03              |
|                      |              | 25,400 | 3,10               | 21,00                    | 8,28            | 29,60         | 116 000             | 3,02              |
| LL1666               | LL-16B-6x6   | 1,000  | 0,12               | 0,83                     | 0,33            | 1,67          | 39 120              | 3,02              |
|                      |              | 25,400 | 3,10               | 21,00                    | 8,28            | 42,40         | 174 000             | 4,49              |
| LL1688               | LL-16B-8x8   | 1,000  | 0,12               | 0,83                     | 0,33            | 2,22          | 52 160              | 4,04              |
|                      |              | 25,400 | 3,10               | 21,00                    | 8,28            | 56,40         | 232 000             | 6,01              |
| LL2022               | LL-20B-2x2   | 1,250  | 0,14               | 0,56                     | 0,40            | 0,75          | 21 350              | 1,28              |
|                      |              | 31,750 | 3,50               | 24,30                    | 10,19           | 19,10         | 95 000              | 1,90              |
| LL2044               | LL-20B-4x4   | 1,250  | 0,14               | 0,56                     | 0,40            | 1,34          | 42 700              | 2,51              |
|                      |              | 31,750 | 3,50               | 24,30                    | 10,19           | 34,10         | 190 000             | 3,74              |
| LL2066               | LL-20B-6x6   | 1,250  | 0,14               | 0,56                     | 0,40            | 1,93          | 64 050              | 4,02              |
|                      |              | 31,750 | 3,50               | 24,30                    | 10,19           | 48,90         | 280 000             | 5,98              |
| LL2088               | LL-20B-8x8   | 1,250  | 0,14               | 0,56                     | 0,40            | 2,50          | 85 400              | 5,40              |
|                      |              | 31,750 | 3,50               | 24,30                    | 10,19           | 63,40         | 380 000             | 8,04              |
| LL2422               | LL-24B-2x2   | 1,500  | 0,20               | 1,31                     | 0,58            | 1,02          | 38 230              | 2,91              |
|                      |              | 38,100 | 5,00               | 33,20                    | 14,63           | 25,80         | 170 000             | 4,33              |
| LL2444               | LL-24B-4x4   | 1,500  | 0,20               | 1,31                     | 0,58            | 1,84          | 76 460              | 5,59              |
|                      |              | 38,100 | 5,00               | 33,20                    | 14,63           | 46,80         | 340 000             | 8,32              |
| LL2466               | LL-24B-6x6   | 1,500  | 0,20               | 1,31                     | 0,58            | 2,66          | 114 690             | 8,57              |
|                      |              | 38,100 | 5,00               | 33,20                    | 14,63           | 67,50         | 510 000             | 12,75             |
| LL2488               | LL-24B-8x8   | 1,500  | 0,20               | 1,31                     | 0,58            | 3,52          | 152 920             | 11,30             |
|                      |              | 38,100 | 5,00               | 33,20                    | 14,63           | 89,40         | 680 000             | 16,81             |
| LL2822               | LL-28B-2x2   | 1,750  | 0,24               | 1,46                     | 0,63            | 1,23          | 44 970              | 4,18              |
|                      |              | 44,450 | 6,00               | 37,00                    | 15,90           | 31,20         | 200 000             | 6,22              |
| LL2844               | LL-28B-4x4   | 1,750  | 0,24               | 1,46                     | 0,63            | 2,19          | 89 940              | 7,88              |
|                      |              | 44,450 | 6,00               | 37,00                    | 15,90           | 55,60         | 400 000             | 11,73             |
| LL2866               | LL-28B-6x6   | 1,750  | 0,24               | 1,46                     | 0,63            | 3,19          | 134 910             | 10,32             |
|                      |              | 44,450 | 6,00               | 37,00                    | 15,90           | 81,00         | 600 000             | 15,36             |
| LL3222               | LL-32B-2x2   | 2,000  | 0,24               | 1,61                     | 0,70            | 1,23          | 58 460              | 4,09              |
|                      |              | 50,800 | 6,00               | 41,00                    | 17,81           | 31,20         | 260 000             | 6,09              |
| LL3244               | LL-32B-4x4   | 2,000  | 0,24               | 1,61                     | 0,70            | 2,19          | 116 920             | 8,05              |
|                      |              | 50,800 | 6,00               | 41,00                    | 17,81           | 55,60         | 520 000             | 11,98             |
| LL3266               | LL-32B-6x6   | 2,000  | 0,24               | 1,61                     | 0,70            | 3,19          | 175 380             | 12,10             |
|                      |              | 50,800 | 6,00               | 41,00                    | 17,81           | 81,00         | 780 000             | 18,01             |
| LL3288               | LL-32B-8x8   | 2,000  | 0,24               | 1,61                     | 0,70            | 4,14          | 233 840             | 15,75             |
|                      |              | 50,800 | 6,00               | 41,00                    | 17,81           | 105,10        | 1 040 000           | 23,44             |

# FLEYER LEAF CHAINS

FLEYERKETTEN

ŁAŃCUCHY PŁYTKOWE FLEYERA

ANSI B29.8, DIN 8152



| Chain No. | Model             | Pitch  | Plate thickness | Height | Pin dia. / Ø | Pin length | Tensile strength | Approx. weight |
|-----------|-------------------|--------|-----------------|--------|--------------|------------|------------------|----------------|
| ANSI      |                   | P      | T max           | H max  | D max        | L max      | FB min.          | q              |
| ISO/DIN   |                   | [in.]  | [in.]           | [in.]  | [in.]        | [in.]      | [lbs.]           | [lbs./ft.]     |
|           |                   | [mm]   | [mm]            | [mm]   | [mm]         | [mm]       | [N]              | [kg/m]         |
| BL 422    | <b>KAZ BL-422</b> | 0,500  | 0,080           | 0,472  | 0,200        | 0,427      | 5 720            | 0,46           |
| LH0822    |                   | 12,700 | 2,00            | 12,00  | 5,08         | 10,90      | 25 450           | 0,68           |
| BL423     | <b>KAZ BL-423</b> | 0,500  | 0,080           | 0,472  | 0,200        | 0,510      | 5 720            | 0,56           |
| LH0823    |                   | 12,700 | 2,00            | 12,00  | 5,08         | 13,00      | 25 450           | 0,83           |
| BL434     | <b>KAZ BL-434</b> | 0,500  | 0,080           | 0,472  | 0,200        | 0,677      | 8 530            | 0,76           |
| LH0834    |                   | 12,700 | 2,00            | 12,00  | 5,08         | 17,20      | 37 960           | 1,13           |
| BL 444    | <b>KAZ BL-444</b> | 0,500  | 0,080           | 0,472  | 0,200        | 0,764      | 11 450           | 0,86           |
| LH0844    |                   | 12,700 | 2,00            | 12,00  | 5,08         | 19,40      | 50 950           | 1,28           |
| BL 446    | <b>KAZ BL-446</b> | 0,500  | 0,080           | 0,472  | 0,200        | 0,929      | 11 450           | 1,11           |
| LH0846    |                   | 12,700 | 2,00            | 12,00  | 5,08         | 23,60      | 50 950           | 1,65           |
| BL 466    | <b>KAZ BL-466</b> | 0,500  | 0,080           | 0,472  | 0,200        | 1,094      | 16 850           | 1,32           |
| LH0866    |                   | 12,700 | 2,00            | 12,00  | 5,08         | 27,80      | 74 980           | 1,96           |
| BL 522    | <b>KAZ BL-522</b> | 0,625  | 0,094           | 0,591  | 0,234        | 0,498      | 9 500            | 0,72           |
| LH1022    |                   | 15,875 | 2,40            | 15,00  | 5,95         | 12,70      | 42 270           | 1,07           |
| BL 523    | <b>KAZ BL-523</b> | 0,625  | 0,094           | 0,591  | 0,234        | 0,594      | 9 500            | 0,85           |
| LH1023    |                   | 15,875 | 2,40            | 15,00  | 5,95         | 15,10      | 42 270           | 1,26           |
| BL 534    | <b>KAZ BL-534</b> | 0,625  | 0,094           | 0,591  | 0,234        | 0,791      | 14 260           | 1,14           |
| LH1034    |                   | 15,875 | 2,40            | 15,00  | 5,95         | 20,10      | 63 460           | 1,70           |
| BL 544    | <b>KAZ BL-544</b> | 0,625  | 0,094           | 0,591  | 0,234        | 0,888      | 19 010           | 1,24           |
| LH1044    |                   | 15,875 | 2,40            | 15,00  | 5,95         | 22,60      | 84 590           | 1,89           |
| BL 546    | <b>KAZ BL-546</b> | 0,625  | 0,094           | 0,591  | 0,234        | 1,083      | 19 010           | 1,61           |
| LH1046    |                   | 15,875 | 2,40            | 15,00  | 5,95         | 27,50      | 84 590           | 2,40           |
| BL 566    | <b>KAZ BL-566</b> | 0,625  | 0,094           | 0,591  | 0,234        | 1,278      | 28 510           | 1,88           |
| LH1066    |                   | 15,875 | 2,40            | 15,00  | 5,95         | 32,50      | 126 870          | 2,80           |

FLEYER LEAF CHAINS  
FLEYERKETTEN  
ŁAŃCUCHY PŁYTKOWE FLEYERA





| Chain No.<br>ANSI<br>ISO/DIN | Model              | Pitch  | Plate<br>thickness | Height | Pin<br>dia. / Ø | Pin<br>length | Tensile<br>strength | Approx.<br>weight |
|------------------------------|--------------------|--------|--------------------|--------|-----------------|---------------|---------------------|-------------------|
|                              |                    | P      | T max              | H max  | D max           | L max         | F <sub>B</sub> min. | q                 |
|                              |                    | [in.]  | [in.]              | [in.]  | [in.]           | [in.]         | [lbs.]              | [lbs./ft.]        |
|                              |                    | [mm]   | [mm]               | [mm]   | [mm]            | [mm]          | [N]                 | [kg/m]            |
| BL622                        | <b>KAZ BL-622</b>  | 0,750  | 0,126              | 0,713  | 0,312           | 0,651         | 15 400              | 1,14              |
| LH1222                       |                    | 19,050 | 3,20               | 18,10  | 7,92            | 16,50         | 68 500              | 1,70              |
| BL623                        | <b>KAZ BL-623</b>  | 0,750  | 0,126              | 0,713  | 0,312           | 0,784         | 15 400              | 1,38              |
| LH1223                       |                    | 19,050 | 3,20               | 18,10  | 7,92            | 19,90         | 68 500              | 2,05              |
| BL634                        | <b>KAZ BL-634</b>  | 0,750  | 0,126              | 0,713  | 0,312           | 1,051         | 23 000              | 1,91              |
| LH1234                       |                    | 19,050 | 3,20               | 18,10  | 7,92            | 26,70         | 102 200             | 2,84              |
| BL644                        | <b>KAZ BL-644</b>  | 0,750  | 0,126              | 0,713  | 0,312           | 1,182         | 31 000              | 2,16              |
| LH1244                       |                    | 19,050 | 3,20               | 18,10  | 7,92            | 30,00         | 137 800             | 3,21              |
| BL646                        | <b>KAZ BL-646</b>  | 0,750  | 0,126              | 0,713  | 0,312           | 1,449         | 31 000              | 2,71              |
| LH1246                       |                    | 19,050 | 3,20               | 18,10  | 7,92            | 36,80         | 137 800             | 4,03              |
| BL666                        | <b>KAZ BL-666</b>  | 0,750  | 0,126              | 0,713  | 0,312           | 1,716         | 46 000              | 3,20              |
| LH1266                       |                    | 19,050 | 3,20               | 18,10  | 7,92            | 43,60         | 204 500             | 4,76              |
| BL822                        | <b>KAZ BL-822</b>  | 1,000  | 0,157              | 0,945  | 0,375           | 0,799         | 20 500              | 1,75              |
| LH1622                       |                    | 25,400 | 4,00               | 24,00  | 9,52            | 20,30         | 91 200              | 2,60              |
| BL823                        | <b>KAZ BL-823</b>  | 1,000  | 0,157              | 0,945  | 0,375           | 0,960         | 20 500              | 2,17              |
| LH1623                       |                    | 25,400 | 4,00               | 24,00  | 9,52            | 24,40         | 91 200              | 3,23              |
| BL834                        | <b>KAZ BL-834</b>  | 1,000  | 0,157              | 0,945  | 0,375           | 1,291         | 37 600              | 2,99              |
| LH1634                       |                    | 25,400 | 4,00               | 24,00  | 9,52            | 32,80         | 167 200             | 4,45              |
| BL844                        | <b>KAZ BL-844</b>  | 1,000  | 0,157              | 0,945  | 0,375           | 1,465         | 50 000              | 3,41              |
| LH1644                       |                    | 25,400 | 4,00               | 24,00  | 9,52            | 37,20         | 222 300             | 5,07              |
| BL846                        | <b>KAZ BL-846</b>  | 1,000  | 0,157              | 0,945  | 0,375           | 1,784         | 50 000              | 4,27              |
| LH1646                       |                    | 25,400 | 4,00               | 24,00  | 9,52            | 45,30         | 222 300             | 6,35              |
| BL866                        | <b>KAZ BL-866</b>  | 1,000  | 0,157              | 0,945  | 0,375           | 2,112         | 75 000              | 5,08              |
| LH1666                       |                    | 25,400 | 4,00               | 24,00  | 9,52            | 53,60         | 333 500             | 7,56              |
| BL1022                       | <b>KAZ BL-1022</b> | 1,250  | 0,189              | 1,181  | 0,437           | 0,953         | 34 000              | 2,54              |
| LH2022                       |                    | 31,750 | 4,80               | 30,00  | 11,10           | 24,20         | 151 200             | 3,78              |
| BL1023                       | <b>KAZ BL-1023</b> | 1,250  | 0,189              | 1,181  | 0,437           | 1,139         | 34 000              | 3,16              |
| LH2023                       |                    | 31,750 | 4,80               | 30,00  | 11,10           | 28,90         | 151 200             | 4,70              |
| BL1034                       | <b>KAZ BL-1034</b> | 1,250  | 0,189              | 1,181  | 0,437           | 1,543         | 52 000              | 4,42              |
| LH2034                       |                    | 31,750 | 4,80               | 30,00  | 11,10           | 39,20         | 231 200             | 6,58              |
| BL1044                       | <b>KAZ BL-1044</b> | 1,250  | 0,189              | 1,181  | 0,437           | 1,720         | 68 500              | 5,05              |
| LH2044                       |                    | 31,750 | 4,80               | 30,00  | 11,10           | 43,70         | 304 600             | 7,51              |
| BL1046                       | <b>KAZ BL-1046</b> | 1,250  | 0,189              | 1,181  | 0,437           | 2,129         | 68 500              | 6,25              |
| LH2046                       |                    | 31,750 | 4,80               | 30,00  | 11,10           | 54,10         | 304 600             | 9,30              |
| BL1066                       | <b>KAZ BL-1066</b> | 1,250  | 0,189              | 1,181  | 0,437           | 2,528         | 103 000             | 7,52              |
| LH2066                       |                    | 31,750 | 4,80               | 30,00  | 11,10           | 64,20         | 458 000             | 11,19             |
| BL1222                       | <b>KAZ BL-1222</b> | 1,500  | 0,221              | 1,421  | 0,500           | 1,111         | 45 000              | 3,27              |
| LH2422                       |                    | 38,100 | 5,60               | 36,10  | 12,70           | 28,20         | 200 000             | 4,87              |
| BL1223                       | <b>KAZ BL-1223</b> | 1,500  | 0,221              | 1,421  | 0,500           | 1,347         | 45 000              | 4,40              |
| LH2423                       |                    | 38,100 | 5,60               | 36,10  | 12,70           | 34,20         | 200 000             | 6,55              |
| BL1234                       | <b>KAZ BL-1234</b> | 1,500  | 0,221              | 1,421  | 0,500           | 1,805         | 72 500              | 6,13              |
| LH2434                       |                    | 38,100 | 5,60               | 36,10  | 12,70           | 45,80         | 322 400             | 9,12              |
| BL1244                       | <b>KAZ BL-1244</b> | 1,500  | 0,221              | 1,421  | 0,500           | 2,036         | 90 000              | 7,00              |
| LH2444                       |                    | 38,100 | 5,60               | 36,10  | 12,70           | 51,70         | 400 200             | 10,42             |
| BL1246                       | <b>KAZ BL-1246</b> | 1,500  | 0,221              | 1,421  | 0,500           | 2,489         | 90 000              | 8,10              |
| LH2446                       |                    | 38,100 | 5,60               | 36,10  | 12,70           | 63,20         | 400 200             | 12,05             |
| BL1266                       | <b>KAZ BL-1266</b> | 1,500  | 0,221              | 1,421  | 0,500           | 2,949         | 135 000             | 9,82              |
| LH2466                       |                    | 38,100 | 5,60               | 36,10  | 12,70           | 74,90         | 600 300             | 14,61             |
| BL1422                       | <b>KAZ BL-1422</b> | 1,750  | 0,252              | 1,661  | 0,562           | 1,248         | 57 000              | 4,92              |
| LH2822                       |                    | 44,450 | 6,40               | 42,20  | 14,27           | 31,70         | 253 500             | 7,32              |
| BL1423                       | <b>KAZ BL-1423</b> | 1,750  | 0,252              | 1,661  | 0,562           | 1,509         | 57 000              | 6,10              |
| LH2823                       |                    | 44,450 | 6,40               | 42,20  | 14,27           | 38,30         | 253 500             | 9,08              |
| BL1434                       | <b>KAZ BL-1434</b> | 1,750  | 0,252              | 1,661  | 0,562           | 2,036         | 94 000              | 7,59              |
| LH2834                       |                    | 44,450 | 6,40               | 42,20  | 14,27           | 51,70         | 418 000             | 11,29             |
| BL1444                       | <b>KAZ BL-1444</b> | 1,750  | 0,252              | 1,661  | 0,562           | 2,298         | 115 000             | 8,73              |
| LH2844                       |                    | 44,450 | 6,40               | 42,20  | 14,27           | 58,40         | 511 500             | 12,99             |
| BL1446                       | <b>KAZ BL-1446</b> | 1,750  | 0,252              | 1,661  | 0,562           | 2,819         | 115 000             | 12,10             |
| LH2846                       |                    | 44,450 | 6,40               | 42,20  | 14,27           | 71,60         | 511 500             | 18,01             |
| BL1466                       | <b>KAZ BL-1466</b> | 1,750  | 0,252              | 1,661  | 0,562           | 3,339         | 170 000             | 15,15             |
| LH2866                       |                    | 44,450 | 6,40               | 42,20  | 14,27           | 84,80         | 756 000             | 22,54             |
| BL1622                       | <b>KAZ BL-1623</b> | 2,000  | 0,281              | 1,898  | 0,687           | 1,413         | 86 000              | 6,62              |
| LH3222                       |                    | 50,800 | 7,10               | 48,20  | 17,45           | 35,90         | 382 500             | 9,85              |
| BL1623                       | <b>KAZ BL-1623</b> | 2,000  | 0,281              | 1,898  | 0,687           | 1,716         | 86 000              | 8,19              |
| LH3223                       |                    | 50,800 | 7,10               | 48,20  | 17,45           | 43,60         | 382 500             | 12,19             |
| BL1634                       | <b>KAZ BL-1634</b> | 2,000  | 0,281              | 1,898  | 0,687           | 2,315         | 134 500             | 11,40             |
| LH3234                       |                    | 50,800 | 7,10               | 48,20  | 17,45           | 58,80         | 598 100             | 16,96             |
| BL1644                       | <b>KAZ BL-1644</b> | 2,000  | 0,281              | 1,898  | 0,687           | 2,610         | 170 000             | 12,77             |
| LH3244                       |                    | 50,800 | 7,10               | 48,20  | 17,45           | 66,30         | 756 000             | 19,00             |
| BL1646                       | <b>KAZ BL-1646</b> | 2,000  | 0,281              | 1,898  | 0,687           | 3,205         | 170 000             | 16,18             |
| LH3246                       |                    | 50,800 | 7,10               | 48,20  | 17,45           | 81,40         | 756 000             | 24,08             |
| BL1666                       | <b>KAZ BL-1666</b> | 2,000  | 0,281              | 1,898  | 0,687           | 3,799         | 257 500             | 19,34             |
| LH3266                       |                    | 50,800 | 7,10               | 48,20  | 17,45           | 96,50         | 1 145 100           | 28,78             |

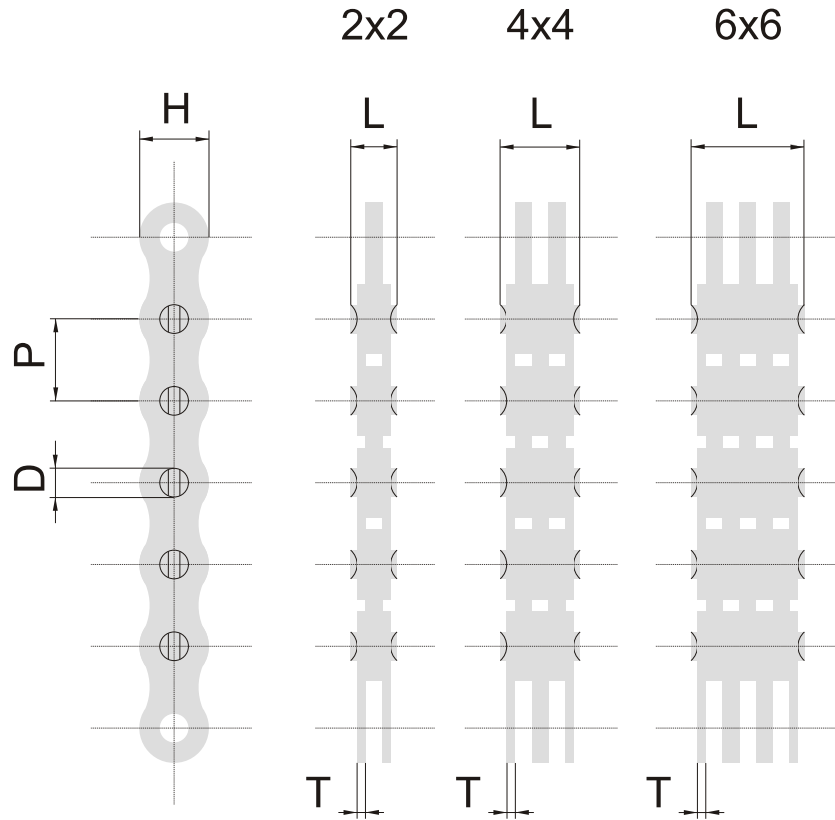


# FLEYER LEAF CHAINS

FLEYERKETTEN

ŁAŃCUCHY PŁYTKOWE FLEYERA

ANSI B29.8



| Chain No.<br>ANSI | Model             | Pitch  | Plate<br>thickness | Height | Pin<br>dia. / Ø | Pin<br>length | Tensile<br>strength | Approx.<br>weight |
|-------------------|-------------------|--------|--------------------|--------|-----------------|---------------|---------------------|-------------------|
|                   |                   | P      | T max              | H max  | D max           | L max         | FB min              | q                 |
|                   |                   | [in.]  | [in.]              | [in.]  | [in.]           | [in.]         | [lbs.]              | [lbs./ft.]        |
|                   |                   | [mm]   | [mm]               | [mm]   | [mm]            | [mm]          | [N]                 | [kg/m]            |
| AL 422            | <b>KAZ AL-422</b> | 0,500  | 0,060              | 0,409  | 0,156           | 0,331         | 3 990               | 0,25              |
|                   |                   | 12,700 | 1,50               | 10,40  | 3,96            | 8,40          | 17 760              | 0,37              |
| AL 444            | <b>KAZ AL-444</b> | 0,500  | 0,060              | 0,409  | 0,156           | 0,585         | 8 100               | 0,50              |
|                   |                   | 12,700 | 1,50               | 10,40  | 3,96            | 14,90         | 36 040              | 0,75              |
| AL 466            | <b>KAZ AL-466</b> | 0,500  | 0,060              | 0,409  | 0,156           | 0,839         | 12 100              | 0,74              |
|                   |                   | 12,700 | 1,50               | 10,40  | 3,96            | 21,30         | 53 840              | 1,10              |
| AL 522            | <b>KAZ AL-522</b> | 0,625  | 0,080              | 0,512  | 0,200           | 0,427         | 6 700               | 0,42              |
|                   |                   | 15,875 | 2,00               | 13,00  | 5,08            | 10,90         | 29 810              | 0,63              |
| AL 544            | <b>KAZ AL-544</b> | 0,625  | 0,080              | 0,512  | 0,200           | 0,762         | 13 280              | 0,82              |
|                   |                   | 15,875 | 2,00               | 13,00  | 5,08            | 19,40         | 59 100              | 1,22              |
| AL 566            | <b>KAZ AL-566</b> | 0,625  | 0,080              | 0,512  | 0,200           | 1,094         | 19 980              | 1,21              |
|                   |                   | 15,875 | 2,00               | 13,00  | 5,08            | 27,80         | 88 910              | 1,80              |

FLEYER LEAF CHAINS  
FLEYERKETTEN  
ŁAŃCUCHY PŁYTKOWE FLEYERA

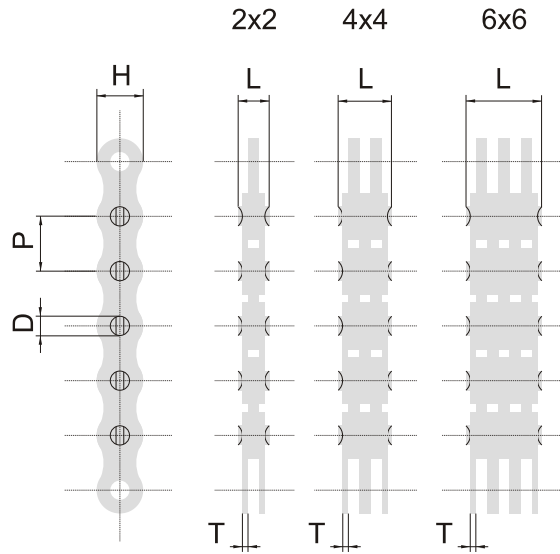


# FLEYER LEAF CHAINS

FLEYERKETTEN

ANSI B29.8

ŁAŃCUCHY PŁYTKOWE FLEYERA



| Chain No.<br>ANSI | Model              | Pitch  | Plate<br>thickness | Height | Pin<br>dia. / Ø | Pin<br>length | Tensile<br>strength | Approx.<br>weight |
|-------------------|--------------------|--------|--------------------|--------|-----------------|---------------|---------------------|-------------------|
|                   |                    | P      | T max              | H max  | D max           | L max         | FB min.             | q                 |
|                   |                    | [in.]  | [in.]              | [in.]  | [in.]           | [in.]         | [lbs.]              | [lbs./ft.]        |
|                   |                    | [mm]   | [mm]               | [mm]   | [mm]            | [mm]          | [N]                 | [kg/m]            |
| AL622             | <b>KAZ AL-622</b>  | 0,750  | 0,094              | 0,614  | 0,234           | 0,500         | 9 200               | 0,58              |
|                   |                    | 19,050 | 2,40               | 15,60  | 5,94            | 12,70         | 41 300              | 0,86              |
| AL644             | <b>KAZ AL-644</b>  | 0,750  | 0,094              | 0,614  | 0,234           | 0,889         | 18 500              | 1,16              |
|                   |                    | 19,050 | 2,40               | 15,60  | 5,94            | 22,60         | 82 250              | 1,73              |
| AL666             | <b>KAZ AL-666</b>  | 0,750  | 0,094              | 0,614  | 0,234           | 1,279         | 27 800              | 1,71              |
|                   |                    | 19,050 | 2,40               | 15,60  | 5,94            | 32,50         | 123 600             | 2,54              |
| AL822             | <b>KAZ AL-822</b>  | 1,000  | 0,126              | 0,819  | 0,312           | 0,646         | 15 700              | 1,02              |
|                   |                    | 25,400 | 3,20               | 20,80  | 7,92            | 16,40         | 69 800              | 1,52              |
| AL844             | <b>KAZ AL-844</b>  | 1,000  | 0,126              | 0,819  | 0,312           | 1,173         | 30 350              | 2,02              |
|                   |                    | 25,400 | 3,20               | 20,80  | 7,92            | 29,80         | 134 970             | 3,01              |
| AL866             | <b>KAZ AL-866</b>  | 1,000  | 0,126              | 0,819  | 0,312           | 1,712         | 47 000              | 2,96              |
|                   |                    | 25,400 | 3,20               | 20,80  | 7,92            | 43,50         | 209 000             | 4,40              |
| AL1022            | <b>KAZ AL-1022</b> | 1,250  | 0,157              | 1,024  | 0,375           | 0,791         | 23 700              | 1,82              |
|                   |                    | 31,750 | 4,00               | 26,00  | 9,52            | 20,10         | 105 400             | 2,71              |
| AL1044            | <b>KAZ AL-1044</b> | 1,250  | 0,157              | 1,024  | 0,375           | 1,449         | 47 500              | 3,59              |
|                   |                    | 31,750 | 4,00               | 26,00  | 9,52            | 36,80         | 211 200             | 5,34              |
| AL1066            | <b>KAZ AL-1066</b> | 1,250  | 0,157              | 1,024  | 0,375           | 2,098         | 71 300              | 5,34              |
|                   |                    | 31,750 | 4,00               | 26,00  | 9,52            | 53,40         | 317 000             | 7,95              |
| AL1222            | <b>KAZ AL-1222</b> | 1,500  | 0,189              | 1,228  | 0,437           | 0,953         | 34 200              | 2,41              |
|                   |                    | 38,100 | 4,80               | 31,20  | 11,10           | 24,20         | 152 000             | 3,59              |
| AL1244            | <b>KAZ AL-1244</b> | 1,500  | 0,189              | 1,228  | 0,437           | 1,737         | 68 500              | 4,78              |
|                   |                    | 38,100 | 4,80               | 31,20  | 11,10           | 44,10         | 304 600             | 7,11              |
| AL1266            | <b>KAZ AL-1266</b> | 1,500  | 0,189              | 1,228  | 0,437           | 2,524         | 102 600             | 7,09              |
|                   |                    | 38,100 | 4,80               | 31,20  | 11,10           | 64,10         | 456 250             | 10,55             |
| AL1444            | <b>KAZ AL-1444</b> | 1,750  | 0,221              | 1,433  | 0,500           | 2,024         | 90 300              | 6,98              |
|                   |                    | 44,450 | 5,60               | 36,40  | 12,70           | 51,40         | 401 500             | 10,39             |
| AL1466            | <b>KAZ AL-1466</b> | 1,750  | 0,221              | 1,433  | 0,500           | 2,935         | 135 400             | 10,20             |
|                   |                    | 44,450 | 5,60               | 36,40  | 12,70           | 74,60         | 602 100             | 15,18             |
| AL1644            | <b>KAZ AL-1644</b> | 2,000  | 0,252              | 1,638  | 0,562           | 2,288         | 114 000             | 8,73              |
|                   |                    | 50,800 | 6,40               | 41,60  | 14,27           | 58,10         | 507 000             | 12,99             |
| AL1666            | <b>KAZ AL-1666</b> | 2,000  | 0,252              | 1,638  | 0,562           | 3,330         | 170 000             | 13,03             |
|                   |                    | 50,800 | 6,40               | 41,60  | 14,27           | 84,60         | 756 000             | 19,39             |





# BICYCLE CHAINS

Fahrradketten  
Łańcuchy rowerowe

**C**

## BICYCLE CHAINS

Fahrradketten  
Łańcuchy rowerowe

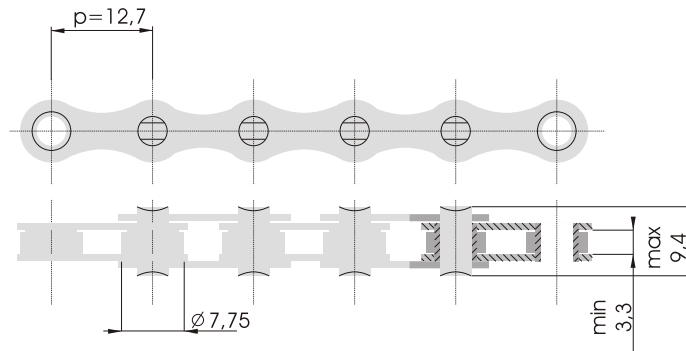
| Contents   | Page  |
|--|-------|
| <i>European standard (Metric)</i>                  |       |
| KAZ-LR1<br>KAZ-LR1 SUPER                           | C - 1 |
| KAZ-LR3<br>KAZ-LR3 EXTRA                           | C - 2 |
| KAZ-LR600<br>KAZ-LR600 SUPER                       | C - 3 |
| KAZ-LR900<br>KAZ-LR900 SUPER<br>KAZ-LR900 EXTRA    | C - 4 |
| KAZ-LR2000<br>KAZ-LR2000 SUPER<br>KAZ-LR2000 EXTRA | C - 5 |
| CONNECTING LINKS FOR ROLLER CHAINS                 | C - 6 |

# BICYCLE CHAINS 1/2"x1/8" (ISO/DIN 081)

FAHRRADKETTEN

ŁAŃCUCHY ROWEROWE

## MODEL: KAZ-LR1 KAZ-LR1 SUPER



Strength of the chains: min. 8200 N  
Finish KAZ-LR1: standard - black  
Finish KAZ-LR1 SUPER: nickelized - black  
The chains meet the standard requirements: PN-77/M-84168, DIN 8187, ISO 606.  
The chains are joined with PS or SNAP-ON-link.

**Use:**  
The chains are used for drive transmission in traditional, tourist, children and city bicycles equipped with low slow running hub with brake, multispeed hub or free run.

**Maintenance:**  
The chain is maintained with working-maintenance oil which need not be removed before assembling. When dirty, the chain should be cleaned in an organic solvent, like oil, petrol.

Festigkeit der Kette: min. 8200 N  
Ausführung KAZ-LR1: Standardausführung - schwarz  
Ausführung KAZ-LR1 SUPER: vernickelt - schwarz  
Die Ketten sind normgerecht: PN-77/M-84168, DIN 8187, ISO 606.  
Die Ketten werden mit PS- oder SNAP-ON-Verbindungsglied verbunden.

**Anwendung:**  
Die Ketten werden zur Antriebübertragung in traditionellen, touristischen, Kinder- und Stadtfahrrädern benutzt, die mit einer Freilaufnabe, Mehrlaufnabe oder Freilauf ausgestattet sind.

**Wartung:**  
Die Kette wird mit Betriebswartungsschmierstoff gewartet, welcher vor der Montage nicht entfernt werden muß. Bei Verschmutzung soll die Kette in organischen Lösungsmitteln (z.B. Petroleum, Benzin) gesäubert werden.

Wytrzymałość łańcucha: min. 8200 N  
Wykończenie KAZ-LR1: standardowe - czarne  
Wykończenie KAZ-LR1 SUPER: niklowane - czarne  
Łańcuchy s<sup>1</sup> zgodne z wymogami norm: PN-77/M-84168, DIN 8187, ISO 606.  
Łańcuchy s<sup>1</sup>czy się ogniwem z<sup>1</sup>cznym typu: „PS” lub „SNAP-ON”

**Zastosowanie:**  
Łańcuchy stosowane s<sup>1</sup> do przeniesienia napędu w rowerach tradycyjnych, turystycznych, dziecięcych i miejskich wyposażonych w piastę wolnobiegow<sup>1</sup> z hamulcem, piastę wielobiegow<sup>1</sup> lub wolnobieg.

**Konserwacja:**  
Łańcuch konserwowany jest smarem eksploatacyjnym - konserwującym i nie wymaga rozkonserwowania przed montażem.  
W przypadku zabrudzenia łańcuch oczyszcza się w rozpuszczalnikach organicznych np. nafta, benzyna.

BICYCLE CHAINS  
FAHRRADKETTEN  
ŁAŃCUCHY ROWEROWE

A

B

C

D

E

F

G

H

I

J

K

L

M

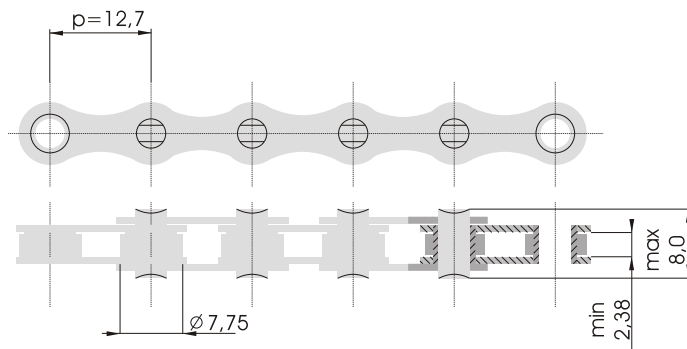


# BICYCLE CHAINS 1/2"x3/32" (ISO/DIN 082)

FAHRRADKETTEN

ŁAŃCUCHY ROWEROWE

## MODEL: KAZ-LR3 KAZ-LR3 EXTRA



Strength of the chains: min. 10000 N

Finish KAZ-LR3: standard - black

Finish KAZ-LR3 EXTRA: nickelized - black

The chains meet the standard requirements: PN-77/M-84168, DIN 8187, ISO 606.

New generation chains with increased fluidity.

### Use:

The chains are used for drive transmission in racing, tourist, youth and city bicycles with 18 speed mechanism.

### Maintenance:

The chain is maintained with working-maintenance oil which need not be removed before assembling. When dirty, the chain should be cleaned in an organic solvent, like oil, petrol.

Festigkeit der Kette: min. 10000 N

Ausführung KAZ-LR3: Standardausführung - schwarz

Ausführung KAZ-LR3 EXTRA: vernickelt - schwarz

Die Ketten sind normgerecht: PN-77/M-84168, DIN 8187, ISO 606. Ketten der neuen Generation mit erhöhter Fließfähigkeit.

### Anwendung:

Die Kette werden zur Antriebübertragung in Rennrädern, touristischen, Kinder-, Jugend- und Stadtfahrrädern benutzt, die mit einem 18-Gangschaltgetriebe ausgestattet sind.

### Wartung:

Die Kette wird mit Betriebswartungsschmierstoff gewartet, welcher vor der Montage nicht entfernt werden muß.

Bei Verschmutzung soll die Kette in organischen Lösungsmitteln (z.B. Petroleum, Benzin) gesäubert werden.

Wytrzymałość łańcucha: min. 10000 N

Wykończenie KAZ-LR3: standardowe - czarne

Wykończenie KAZ-LR3 EXTRA: nikielowane - czarne

Łańcuchy są zgodne z wymogami norm: PN-77/M-84168, DIN 8187, ISO 606.

Łańcuchy nowej generacji o podwyższonej płynności.

### Zastosowanie:

Łańcuchy stosowane są do przeniesienia napędu w rowerach wycieczkowych, turystycznych, młodzieżowych i miejskich wyposażonych w 18 - biegowy mechanizm zmiany prędkości.

### Konserwacja:

Łańcuch konserwowany jest smarem eksploatacyjnym - konserwującym i nie wymaga rozkonserwowania przed montażem. W przypadku zabrudzenia łańcuch należy czyścić w rozpuszczalnikach organicznych np. nafta, benzyna.



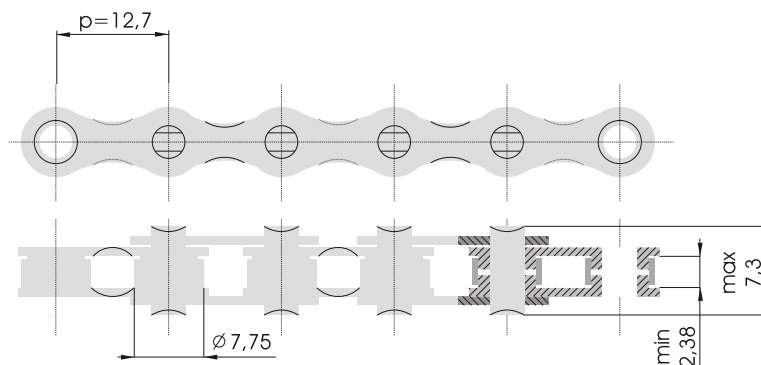


# BICYCLE CHAINS 1/2"x3/32" (ISO/DIN 082)

FAHRRADKETTEN

ŁAŃCUCHY ROWEROWE

## MODEL: KAZ-LR900 KAZ-LR900 SUPER KAZ-LR900 EXTRA



Strength of the chains: min. 10000 N

Finish KAZ-LR900: standard - black

Finish KAZ-LR900 SUPER: nickelized - black

Finish KAZ-LR900 EXTRA: nickelized - nickelized

The chains meet the standard requirements: PN-77/M-84168, DIN 8187, ISO 606. The chains are joined with SNAP-ON-link.

New generation chains with increased fluidity.

### Use:

The chains are used for drive transmission in racing, tourist, youth and city bicycles with 21 speed mechanism.

### Maintenance:

The chain is maintained with working-maintenance oil which need not be removed before assembling.

When dirty, the chain should be cleaned in an organic solvent, like oil, petrol.

Festigkeit der Kette: min. 10000 N

Ausführung KAZ-LR900: Standardausführung - schwarz

Ausführung KAZ-LR900 SUPER: vernickelt - schwarz

Ausführung KAZ-LR900 EXTRA: vernickelt - vernickelt

Die Ketten sind normgerecht: PN-77/M-84168, DIN 8187, ISO 606. Die Ketten werden mit SNAP-ON-Verbindungsglied verbunden.

Ketten der neuen Generation mit erhöhter Fließfähigkeit.

### Anwendung:

Die Ketten werden zur Antriebübertragung in Rennrädern, touristischen, Kinder-, Jugend- und Stadtfahrrädern benutzt, die mit einem 21-Gangschaltgetriebe ausgestattet sind.

### Wartung:

Die Kette wird mit Betriebswartungsschmierstoff gewartet, welcher vor der Montage nicht entfernt werden muß.

Bei Verschmutzung soll die Kette in organischen Lösungsmitteln (z.B. Petroleum, Benzin) gesäubert werden.

Wytrzymałość łańcucha: min. 10000 N

Wykończenie KAZ-LR900: standardowe - czarne

Wykończenie KAZ-LR900 SUPER: nikiłowane - czarne

Wykończenie KAZ-LR900 EXTRA: nikiłowane - nikiłowane

Łańcuchy są zgodne z wymogami norm: PN-77/M-84168, DIN 8187, ISO 606. Łańcuchy są łączone ze sobą ogniwem z³¹cznym typu „SNAP-ON”. Łańcuchy nowej generacji o podwyższonej przepływności.

### Zastosowanie:

Łańcuchy stosowane są do przeniesienia napędu w rowerach wyścigowych, turystycznych, miejskich i miejskich wyposażonych w 21 - biegowy mechanizm zmiany przełożenia.

### Konserwacja:

Łańcuch konserwowany jest smarem eksploatacyjnym - konserwującym i nie wymaga rozkonserwowania przed montażem.

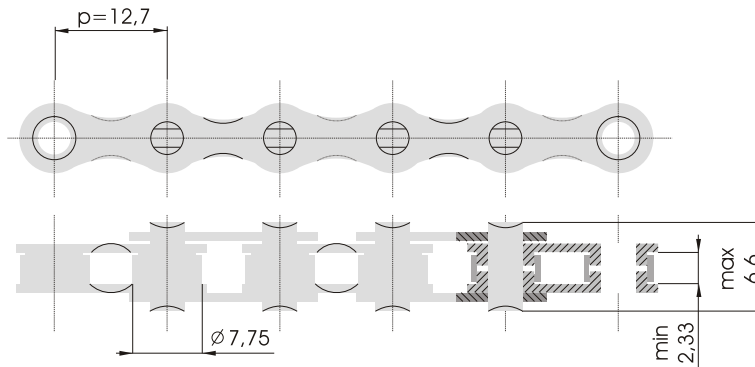
W przypadku zabrudzenia łańcucha należy go oczyścić w rozpuszczalnikach organicznych np. nafta, benzyna.

# BICYCLE CHAINS- SUPER SLIM

FAHRRADKETTEN

ŁAŃCUCHY ROWEROWE - SUPER WAŚKIE

## MODEL: KAZ-LR2000 KAZ-LR2000 SUPER KAZ-LR2000 EXTRA



Finish KAZ-LR2000: standard - black  
Finish KAZ-LR2000 SUPER: nickelized - black  
Finish KAZ-LR2000 EXTRA: nickelized - nickelized  
New generation chains with increased fluidity.

### Use:

The chains are used for drive transmission in racing, tourist, youth and city bicycles with 27 speed mechanism.

### Maintenance:

The chain is maintained with working-maintenance oil which need not be removed before assembling.  
When dirty, the chain should be cleaned in an organic solvent, like oil, petrol.

Ausführung KAZ-LR2000: Standardausführung - schwarz  
Ausführung KAZ-LR2000 SUPER: vernickelt - schwarz  
Ausführung KAZ-LR2000 EXTRA: vernickelt - vernickelt  
Ketten der neuen Generation mit erhöhter Fließfähigkeit.

### Anwendung:

Die Ketten werden zur Antriebübertragung in Rennrädern, touristischen, Kinder-, Jugend- und Stadtfahrrädern benutzt, die mit einem 27-Gangschaltgetriebe ausgestattet sind.

### Wartung:

Die Kette wird mit Betriebswartungsschmierstoff gewartet, welcher vor der Montage nicht entfernt werden muß.  
Bei Verschmutzung soll die Kette in organischen Lösungsmitteln (z.B. Petroleum, Benzin) gesäubert werden.

Wykończenie KAZ-LR2000: standardowe - czarne  
Wykończenie KAZ-LR2000 SUPER: niklowane - czarne  
Wykończenie KAZ-LR2000 EXTRA: niklowane - niklowane  
Łańcuchy nowej generacji o podwyższonej płynności.

### Zastosowanie:

Łańcuchy stosowane s<sup>1</sup> do przeniesienia napędu w rowerach wyścigowych, turystycznych, m<sup>3</sup>odzieżowych i miejskich wyposażonych w 27 - biegowy mechanizm zmiany prze<sup>3</sup>ożeń.

### Konserwacja:

Łańcuch konserwowany jest smarem eksploatacyjnym - konserwuj<sup>1</sup>cym i nie wymaga rozkonserwowania przed montażem.  
W przypadku zabrudzenia łańcuch oczyszczać w rozpuszczalnikach organicznych np. nafta, benzyna.

BICYCLE CHAINS  
FAHRRADKETTEN  
ŁAŃCUCHY ROWEROWE



# CONNECTING LINKS FOR ROLLER CHAINS

VERBINDUNGSGLIED FÜR FAHRRADKETTEN  
OGNIWA ZŁĄCZNE DO ŁAŃCUCHÓW ROWEROWYCH

TYPE: 1/2"x1/8" CL



## Conventional assembly:

Install cover plate and attach spring clip into the pin grooves.

## Konventionelle Montage:

Lasche auflegen und Verschlussfeder in Bolzennuten eindrücken.

## Montaż tradycyjny:

Na<sup>3</sup>o<sup>2</sup>yæ p<sup>3</sup>ytki i wcisn<sup>1</sup>æ zapinki w rowki sworzni.

TYPE I: 1/2"x1/8" SNAP-ON

TYPE II: 1/2"x3/32" SNAP-ON



## Fast assembly:

Bend the chain from one side, put the plate on the grooved bolts and release the chain.

## Schnellmontage:

Die Kette seitlich durchbiegen, die Verschlusslasche auf Nutenbolzen auflegen und die Kette freigeben.

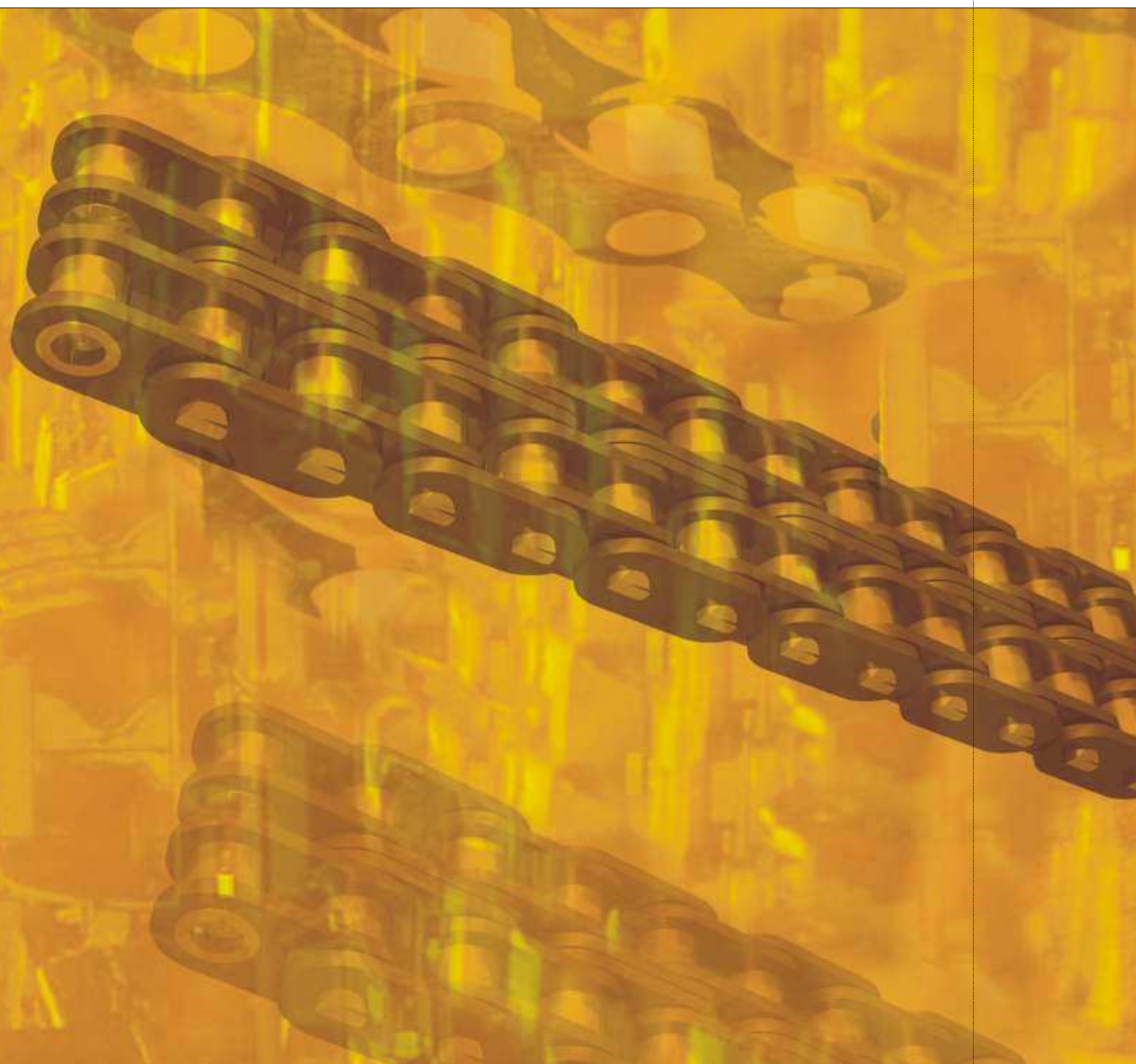
## Szybki montaż:

Prze<sup>1</sup>æ bocznie <sup>3</sup>a<sup>2</sup>ncuch, na<sup>3</sup>o<sup>2</sup>yæ p<sup>3</sup>ytki zapinaj<sup>1</sup>ce na rowkowane sworznie i zwoln<sup>1</sup>æ <sup>3</sup>a<sup>2</sup>ncuch.

# DRIVING CHAINS

Autoindustrieketten  
Łańcuchy motoryzacyjne

**D**



# DRIVING CHAINS

Autoindustrieketten  
Łańcuchy motoryzacyjne

## Contents

## Page

*European standard (Metric)*

|                    |       |
|--------------------|-------|
| KAZ-LF1            | D - 1 |
| KAZ-LF2            | D - 2 |
| KAZ-LF3<br>KAZ-LF7 | D - 3 |
| KAZ-LF4            | D - 4 |
| KAZ-LF5            | D - 5 |
| KAZ-LF6            | D - 6 |
| KAZ-LF8            | D - 7 |
| KAZ-LS1            | D - 8 |

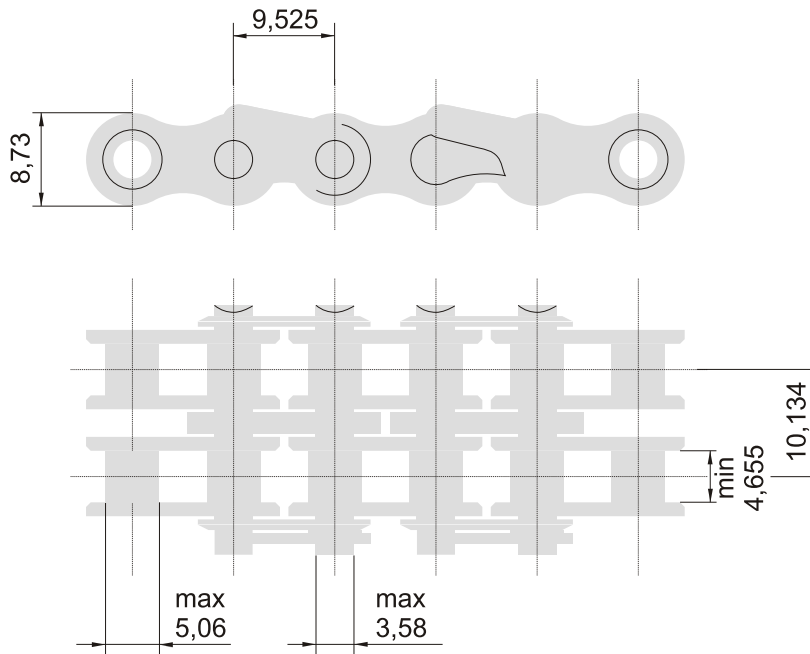


# DUPLEX ROLLER TIMING GEAR CHAINS

ZWEIFACH-HÜLSENSTEUERKETTEN

ŁAŃCUCHY TULEJKOWE ROZRZĄDU - DWURZĘDOWE

MODEL: **KAZ-LF1**



Chain (type 3/8" x 3/16") with 54 links, joined, tightened and prerun.  
Tear strength: 15000 N.

#### Use:

The chain is used in the control of the engine 1500 ccm for FSO1500, Fiat 125p motor cars.

#### Maintenance:

The chain is maintained with working-maintenance oil, which need not be removed before assembling.  
When dirty, the chain should be cleaned in an organic solvent, like oil, petrol.

Kette (Typ 3/8" x 3/16"), Länge 54 Glieder in verbundenem Zustand, gespannt und vorgeläpft.  
Reißbelastung: 15000 N.

#### Anwendung:

Die Kette wird in der Steuerung des Motors 1500 ccm für PKW FSO1500, Fiat 125p angewendet.

#### Wartung:

Die Kette wird mit Betriebswartungsschmierstoff gewartet, welcher vor der Montage nicht entfernt werden muß.  
Bei Verschmutzung soll die Kette in organischen Lösungsmitteln (z.B. Petroleum, Benzin) gesäubert werden.

Łańcuch (typ 3/8" x 3/16") długości 54 ogniw w stanie spiętym, prężony i wstępnie docierany.  
Obciążenie zrywające: 15000 N

#### Zastosowanie:

Łańcuch stosowany jest w układzie rozrządu silnika 1500 c.c. do samochodu „FSO1500”, Fiat125p.

#### Konserwacja:

Łańcuch konserwowany jest preparatem eksploatacyjno - konserwującym i nie wymaga rozkonserwowania przed montażem. W przypadku zabrudzenia łańcuch oczyszcza się w rozpuszczalnikach organicznych np. nafta, benzyna.

DRIVING CHAINS

AUTOINDUSTRIEKETTEN

ŁAŃCUCHY MOTORYZACYJNE

A

B

C

D

E

F

G

H

I

J

K

L

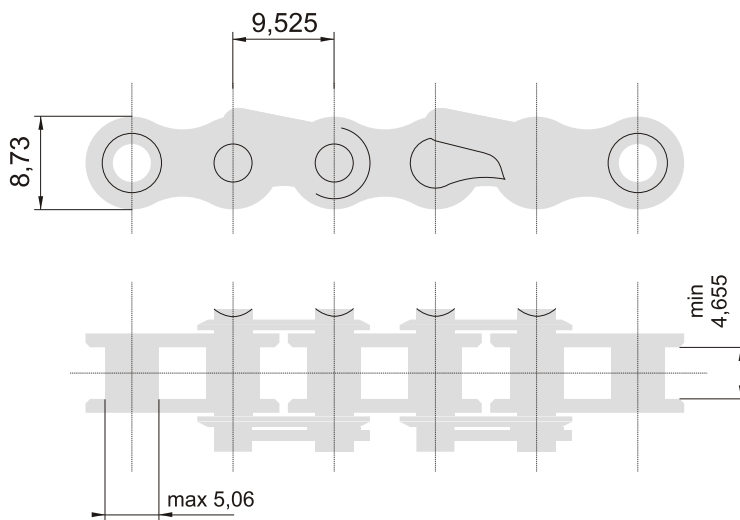
M

# SIMPLEX BUSH TIMING GEAR CHAINS

EINFACH-HÜLSENSTEUERKETTEN

ŁAŃCUCHY TULEJKOWE ROZRZĄDU - JEDNORZĘDOWE

MODEL: **KAZ-LF2**



Chain (type 3/8" x 3/16") with 50 links, joined, tightened and prerun.  
Tear strength: 7500 N.

**Use:**

The chain is used in the control of the engine 650 ccm (type M800AA.06.0) for „Maluch” (Fiat 126p) motor cars.

**Maintenance:**

The chain is maintained with working-maintenance oil, which need not be removed before assembling.  
When dirty, the chain should be cleaned in an organic solvent, like oil, petrol.

Kette (Typ 3/8" x 3/16"), Länge 50 Glieder in verbundenem Zustand, gespannt und vorgeläpft.  
Reißbelastung: 7500 N.

**Anwendung:**

Die Kette wird in der Steuerung des Motors 650 ccm (Typ M800AA.06.0) für „Maluch” (Fiat 126p) angewendet.

**Wartung:**

Die Kette wird mit Betriebswartungsschmierstoff gewartet, welcher vor der Montage nicht entfernt werden muß.  
Bei Verschmutzung soll die Kette in organischen Lösungsmitteln (z.B. Petroleum, Benzin) gesäubert werden.

Łańcuch (typ 3/8" x 3/16") długości 50 ogniw w stanie spiętym, prężony i wstępnie docierany.  
Obciążenie zrywające: 7500 N

**Zastosowanie:**

Łańcuch stosowany jest w układzie rozrządu silnika 650 c.c. (typ M800AA.06.0) do samochodu „Maluch” (Fiat 126p).

**Konserwacja:**

Łańcuch konserwowany jest preparatem eksploatacyjno - konserwacyjnym i nie wymaga rozkonserwowania przed montażem. W przypadku zabrudzenia łańcuch oczyszcza się w rozpuszczalnikach organicznych np. nafta, benzyna.

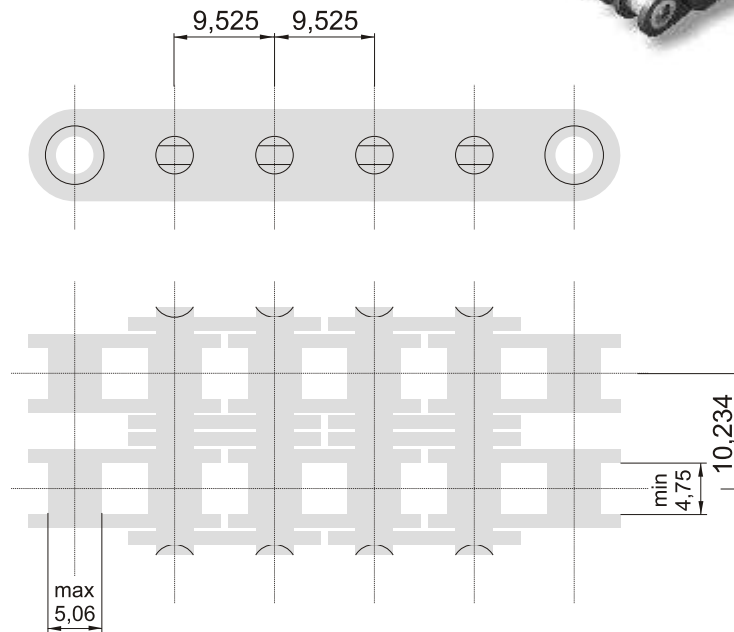


# DUPLEX BUSH TIMING GEAR CHAINS

ZWEIFACH-HÜLSENSTEUERKETTEN

ŁAŃCUCHY TULEJKOWE ROZRZĄDU - DWURZĘDOWE

MODEL: **KAZ-LF3**  
**KAZ-LF7**



Chain (type 3/8" x 3/16") with 116 links (KAZ-LF3) or 114 links (KAZ-LF7), joined, tightened and prerun.  
Tear strength: 16000 N.

#### Use:

The chain is used in the control of the engine for „Łada” motor cars.

#### Maintenance:

The chain is maintained with working-maintenance oil, which need not be removed before assembling.  
When dirty, the chain should be cleaned in an organic solvent, like oil, petrol.

Kette (Typ 3/8" x 3/16"), Länge 116 Glieder (KAZ-LF3) oder 114 Glieder (KAZ-LF7) in verbundenem Zustand, gespannt und vorgeläpft.

Reißbelastung: 16000 N.

#### Anwendung:

Die Kette wird in der Steuerung des Motors für „Łada” angewendet.

#### Wartung:

Die Kette wird mit Betriebswartungsschmierstoff gewartet, welcher vor der Montage nicht entfernt werden muß.  
Bei Verschmutzung soll die Kette in organischen Lösungsmitteln (z.B. Petroleum, Benzin) gesäubert werden.

Łańcuch (typ 3/8" x 3/16") d³ugoœci 116 ogniw (KAZ-LF3) lub 114 ogniw (KAZ-LF7) w stanie spiętym, prêżony i wstêpnie docierany.

Obci³enie zrywaj¹ce: 16000 N

#### Zastosowanie:

Łańcuch stosowany jest w uk³adzie rozrz¹du silnika do samochodu „Łada”

#### Konserwacja:

Łańcuch zakonserwowany jest preparatem eksploatacyjno - konserwuj¹cym i nie wymaga rozkonserwowania przed montażem. W przypadku zabrudzenia ³ańcuch oczyœciæ w rozpuszczalnikach organicznych np. nafta, benzyna.

DRIVING CHAINS

AUTOINDUSTRIEKETTEN

ŁAŃCUCHY MOTORYZACYJNE

A

B

C

D

E

F

G

H

I

J

K

L

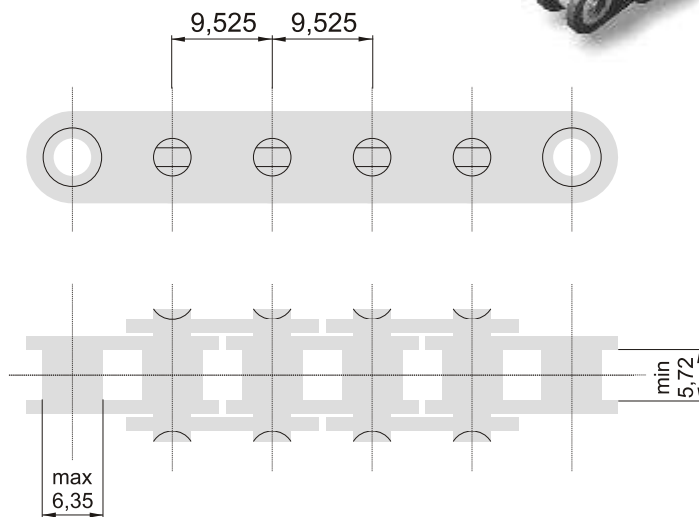
M

# SIMPLEX ROLLER TIMING GEAR CHAINS

EINFACH-ROLLENSTEURKETTEN

ŁAŃCUCHY ROLKOWE ROZRZĄDU - JEDNORZĘDOWE

MODEL: **KAZ-LF4**



Chain (type 3/8" x 7/32") with 50 links, joined, tightened and prerun.  
Tear strength: 9100 N.

**Use:**

The chain is used in the control of the engine 700 ccm (type M024AA.07.0, M024BA.07.B) for „Cinquecento” motor cars.

**Maintenance:**

The chain is maintained with working-maintenance oil, which need not be removed before assembling. When dirty, the chain should be cleaned in an organic solvent, like oil, petrol.

Kette (Typ 3/8" x 7/32"), Länge 50 Glieder in verbundenem Zustand, gespannt und vorgeläpft.  
Reißbelastung: 9100 N.

**Anwendung:**

Die Kette wird in der Steuerung des Motors 700 ccm (Type M024AA.07.0, M024BA.07.B) für „Cinquecento” angewendet.

**Wartung:**

Die Kette wird mit Betriebswartungsschmierstoff gewartet, welcher vor der Montage nicht entfernt werden muß. Bei Verschmutzung soll die Kette in organischen Lösungsmitteln (z.B. Petroleum, Benzin) gesäubert werden.

Łańcuch (typ 3/8" x 7/32") długości 50 ogniw w stanie spiętym, prężony i wstępnie docierany.  
Obciążenie zrywające: 9100 N

**Zastosowanie:**

Łańcuch stosowany jest w układzie rozrządu silnika 700 ccm (type M024AA.07.0, M024BA.07.B) do samochodu „Cinquecento”.

**Konserwacja:**

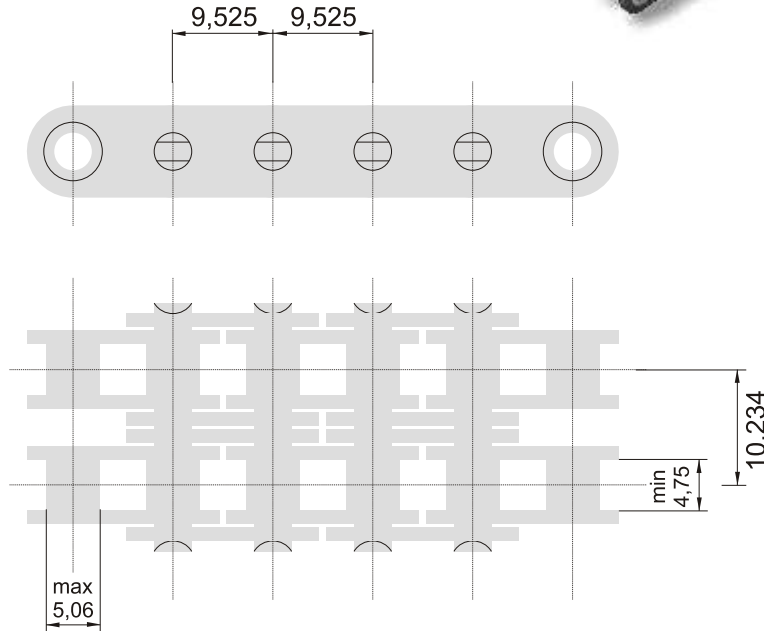
Łańcuch konserwowany jest preparatem eksploatacyjno - konserwującym i nie wymaga rozkonserwowania przed montażem. W przypadku zabrudzenia łańcuch oczyszcza w rozpuszczalnikach organicznych np. nafta, benzyna.

# DUPLEX BUSH TIMING GEAR CHAINS

ZWEIFACH-HÜLSENSTEUERKETTEN

ŁAŃCUCHY TULEJKOWE ROZRZĄDU - DWURZĘDOWE

MODEL: **KAZ-LF5**



Chain (type 3/8" x 3/16") with 48 links, joined, tightened and prerun. Tear strength: 16000 N.

**Use:**  
The chain is used in the control of the engine 1300 ccm for „Skoda” („105”, „120”, „Favorit”, „Felicia”) motor cars.

**Maintenance:**  
The chain is maintained with working-maintenance oil, which need not be removed before assembling.  
When dirty, the chain should be cleaned in an organic solvent, like oil, petrol.

Kette (Typ 3/8" x 3/16"), Länge 48 Glieder in verbundenem Zustand, gespannt und vorgeläpft.  
Reißbelastung: 16000 N.

**Anwendung:**  
Die Kette wird in der Steuerung des Motors 1300 ccm für „Skoda” („105”, „120”, „Favorit”, „Felicia”) angewendet.

**Wartung:**  
Die Kette wird mit Betriebswartungsschmierstoff gewartet, welcher vor der Montage nicht entfernt werden muß.  
Bei Verschmutzung soll die Kette in organischen Lösungsmitteln (z.B. Petroleum, Benzin) gesäubert werden.

Łańcuch (typ 3/8" x 3/16") długości 48 ogniw w stanie spiętym, prężony i wstępnie docierany.  
Obciążenie zrywające: 16000 N

**Zastosowanie:**  
Łańcuch stosowany jest w układzie rozrządu silnika 1300 c.c. do samochodów „Skoda” („105”, „120”, „Favorit”, „Felicia”).

**Konserwacja:**  
Łańcuch konserwowany jest preparatem eksploatacyjno - konserwującym i nie wymaga rozkonserwowania przed montażem. W przypadku zabrudzenia łańcuch oczyszcza się w rozpuszczalnikach organicznych np. nafta, benzyna.

DRIVING CHAINS

AUTOINDUSTRIEKETTEN

ŁAŃCUCHY MOTORYZACYJNE

A

B

C

D

E

F

G

H

I

J

K

L

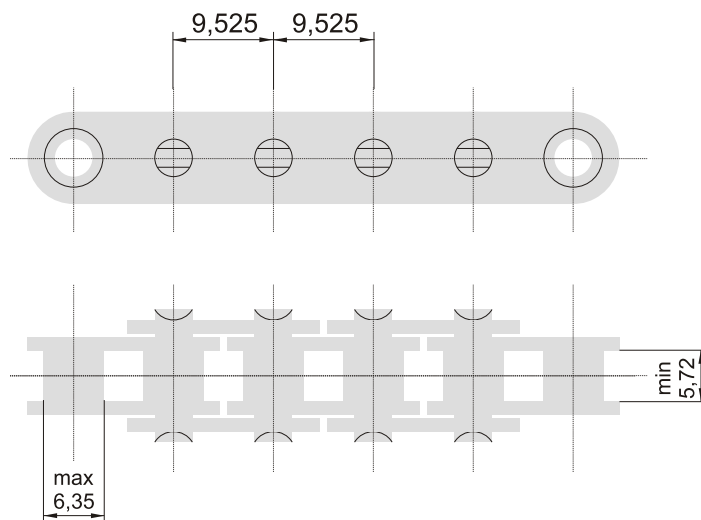
M

# SIMPLEX ROLLER TIMING GEAR CHAINS

EINFACH-ROLLENSTEUERKETTE

ŁAŃCUCHY ROLKOWE ROZRZĄDU - JEDNORZĘDOWE

MODEL: **KAZ-LF6**



Chain (type 3/8" x 7/32") with 58 links, joined, tightened and prerun.  
Tear strength: 9100 N.

**Use:**

The chain is used in the control of the engine 1300 ccm for „Dacia” motor cars.

**Maintenance:**

The chain is maintained with working-maintenance oil, which need not be removed before assembling.  
When dirty, the chain should be cleaned in an organic solvent, like oil, petrol.

Kette (Typ 3/8" x 7/32"), Länge 58 Glieder in verbundenem Zustand, gespannt und vorgeläpft.  
Reißbelastung: 9100 N.

**Anwendung:**

Die Kette wird in der Steuerung des Motors 1300 ccm für „Dacia” angewendet.

**Wartung:**

Die Kette wird mit Betriebswartungsschmierstoff gewartet, welcher vor der Montage nicht entfernt werden muß.  
Bei Verschmutzung soll die Kette in organischen Lösungsmitteln (z.B. Petroleum, Benzin) gesäubert werden.

Łańcuch (typ 3/8" x 7/32") długości 58 ogniw w stanie spiętym, przeliny i wstępnie docierany.  
Obciążenie zrywajace: 9100 N

**Zastosowanie:**

Łańcuch stosowany jest w układzie rozrządu silnika 1300 c.c. do samochodu „Dacia”.

**Konserwacja:**

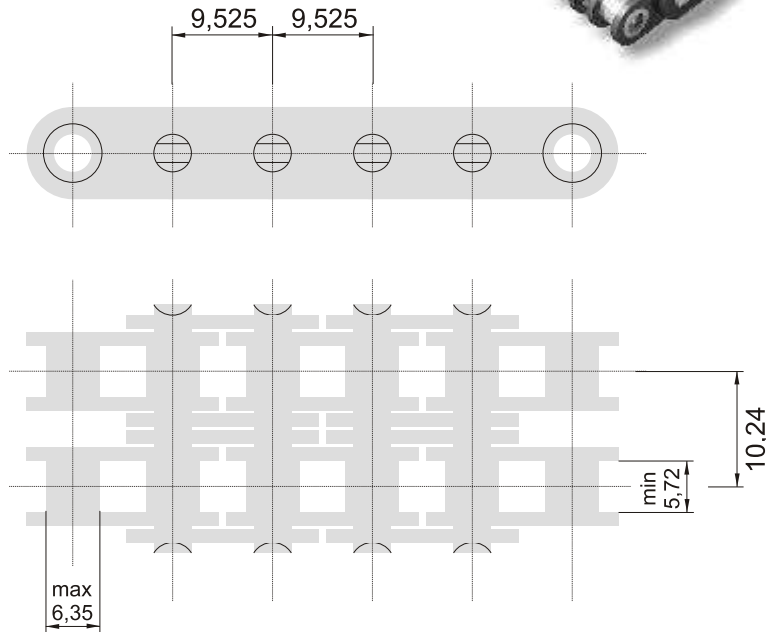
Łańcuch konserwowany jest preparatem eksploatacyjno - konserwującym i nie wymaga rozkonserwowania przed montażem. W przypadku zabrudzenia łańcuch oczyszcza w rozpuszczalnikach organicznych np. nafta, benzyna.

# DUPLEX ROLLER TIMING GEAR CHAINS

ZWEIFACH-ROLLENSTEUERKETTEN

ŁAŃCUCHY ROLKOWE ROZRZĄDU - DWURZĘDOWE

MODEL: **KAZ-LF8**



Chain (type 3/8" x 7/32") with 44 links, joined, tightened and prerun.  
Tear strength: 15000 N.

#### Use:

The chain is used in the control of the engine 900 ccm (type M618AA.08.T, M020AA.09.0) for „Fiat” („Cinquecento”, „Seicento”) motor cars.

#### Maintenance:

The chain is maintained with working-maintenance oil, which need not be removed before assembling.  
When dirty, the chain should be cleaned in an organic solvent, like oil, petrol.

Kette (Typ 3/8" x 7/32"), Länge 44 Glieder in verbundenem Zustand, gespannt und vorgeläpft.  
Reißbelastung: 15000 N.

#### Anwendung:

Die Kette wird in der Steuerung des Motors 900 ccm (Type M618AA.08.T, M020AA.09.0) für „Fiat” („Cinquecento”, „Seicento”) angewendet.

#### Wartung:

Die Kette wird mit Betriebswartungsschmierstoff gewartet, welcher vor der Montage nicht entfernt werden muß.  
Bei Verschmutzung soll die Kette in organischen Lösungsmitteln (z.B. Petroleum, Benzin) gesäubert werden.

Łańcuch (typ 3/8" x 7/32") długości 44 ogniw w stanie spiętym, prężony i wstępnie docierany.  
Obciążenie zrywawcze: 15000 N

#### Zastosowanie:

Łańcuch stosowany jest w układzie rozrządu silnika 900 ccm (typ M618AA.08.T, M020AA.09.0) do samochodu „Fiat” („Cinquecento”, „Seicento”)

#### Konserwacja:

Łańcuch zakonserwowany jest preparatem eksploatacyjno - konserwującym i nie wymaga rozkonserwowania przed montażem. W przypadku zabrudzenia łańcuch oczyszcza się w rozpuszczalnikach organicznych np. nafta, benzyna.

DRIVING CHAINS

AUTOINDUSTRIEKETTEN

ŁAŃCUCHY MOTORYZACYJNE

A

B

C

D

E

F

G

H

I

J

K

L

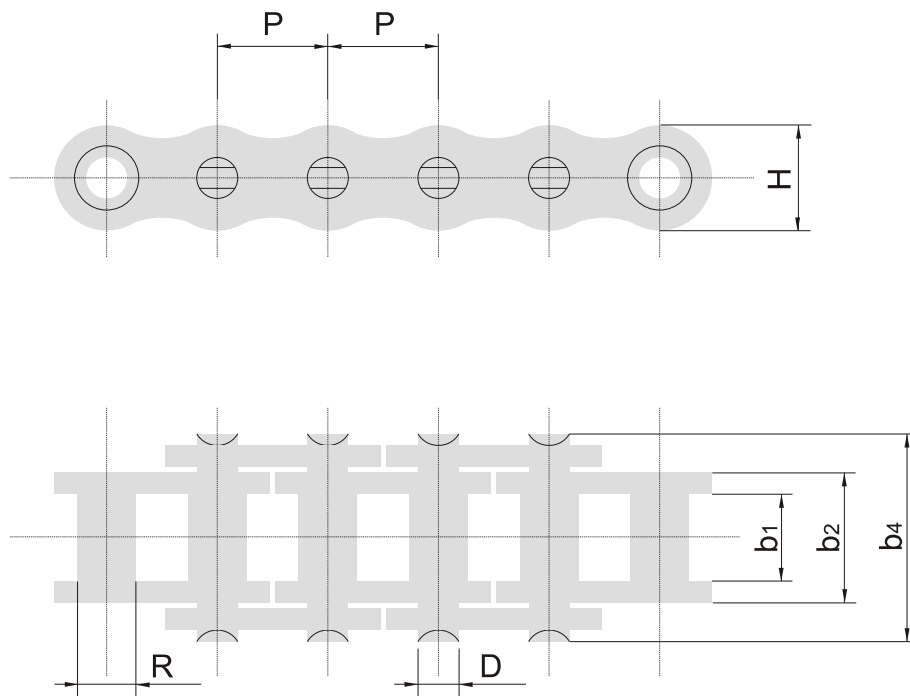
M

# BUSH CHAINS

HÜLSENKETTEN

ŁAŃCUCHY TULEJKOWE

MODEL: **KAZ-LS1**



| Chain No.<br>ISO/DIN | Pitch | Working<br>dimensions | Bush<br>dia. / Ø | Pin<br>dia. / Ø | Pin<br>length      | Overall dimensions |       | Tensile<br>strength |
|----------------------|-------|-----------------------|------------------|-----------------|--------------------|--------------------|-------|---------------------|
|                      | P     | b <sub>1</sub> max    | R max            | D max           | b <sub>4</sub> max | b <sub>2</sub> max | H max | F <sub>B</sub>      |
|                      | [in.] | [in.]                 | [in.]            | [in.]           | [in.]              | [in.]              | [in.] | [lbs.]              |
|                      | [mm]  | [mm]                  | [mm]             | [mm]            | [mm]               | [mm]               | [mm]  | [N]                 |
| <b>KAZ-LS1</b>       | 0,375 | 0,295                 | 0,197            | 0,139           | 0,650              | 0,441              | 0,354 | 2 472               |
|                      | 9,53  | 7,50                  | 5,00             | 3,53            | 16,50              | 11,20              | 9,00  | 11 000              |



# "S" TYPE ROLLER CHAINS

Rollenketten type "S"  
Łańcuchy rolkowe typu "S"

**E**





## "S" TYPE ROLLER CHAINS

Rollenketten type "S"  
Łańcuchy rolkowe typu "S"

### Contents

### Page

*European standard (Metric)*

KAZ-S55X/RL-1, RL-2 E - 1

KAZ-S55X/TM-1, TM-2, TM-3 E - 2

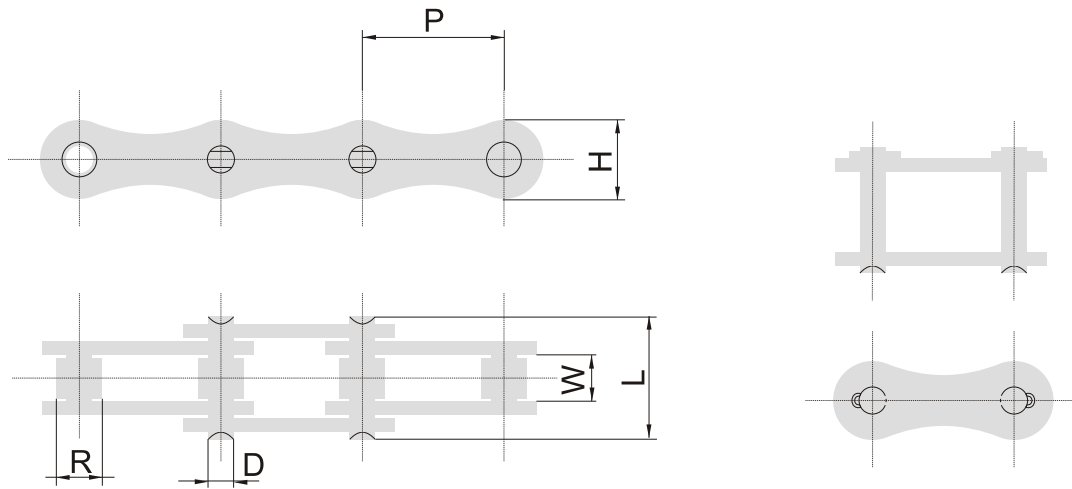
KAZ-S55X/RL-3, RL-4, RL-5 E - 3

KAZ-S55X/TM E - 4

# „S” TYPE ROLLER CHAINS

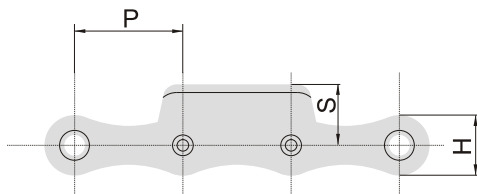
S-ROLLENKETTEN

ŁAŃCUCHY ROLKOWE TYPU „S”

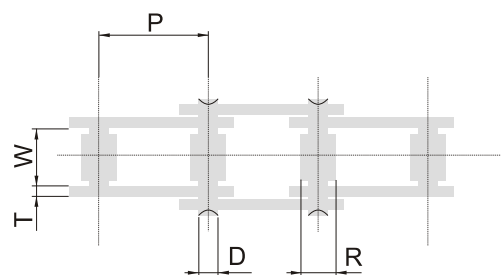
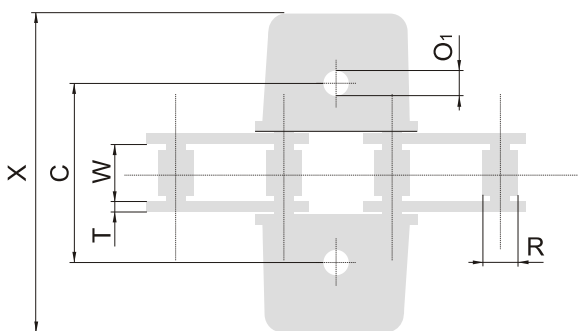
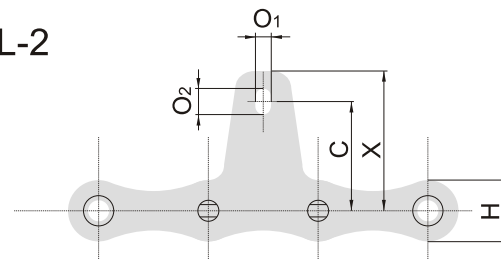


| Pitch |       | Model         | Width | Roller dia. / Ø | Pin dia. / Ø | Plate thickness | Pin length | Tensile strength    |
|-------|-------|---------------|-------|-----------------|--------------|-----------------|------------|---------------------|
| [mm]  | [in.] |               | W min | R               | D            | H               | L max      | F <sub>B</sub><br>N |
| 41,3  | 1"5/8 | KAZ-S55X/TM-1 | 20    | 15,88           | 8,28         | 20              | 38         | 50000               |

RL-1



RL-2



| Pitch |       | Model         | Width | Roller dia. / Ø | Pin dia. / Ø | Plate thickness |      |      |    |   |     | Tensile strength |                     |
|-------|-------|---------------|-------|-----------------|--------------|-----------------|------|------|----|---|-----|------------------|---------------------|
| [mm]  | [in.] |               | W min | R               | D            | H               | C    | X    | S  | T | O1  | O2               | F <sub>B</sub><br>N |
| 41,3  | 1"5/8 | KAZ-S55X/RL-1 | 20    | 15,88           | 8,28         | 20              | 52   | 90   | 17 | 3 | 8,3 |                  | 50000               |
| 41,3  | 1"5/8 | KAZ-S55X/RL-2 | 20    | 15,88           | 8,28         | 20              | 23,7 | 34,4 |    | 3 | 8,3 | 10               | 50000               |

„S” TYPE ROLLER CHAINS  
S-ROLLENKETTEN  
ŁAŃCUCHY ROLKOWE TYPU „S”

A

B

C

D

E

F

G

H

I

J

K

L

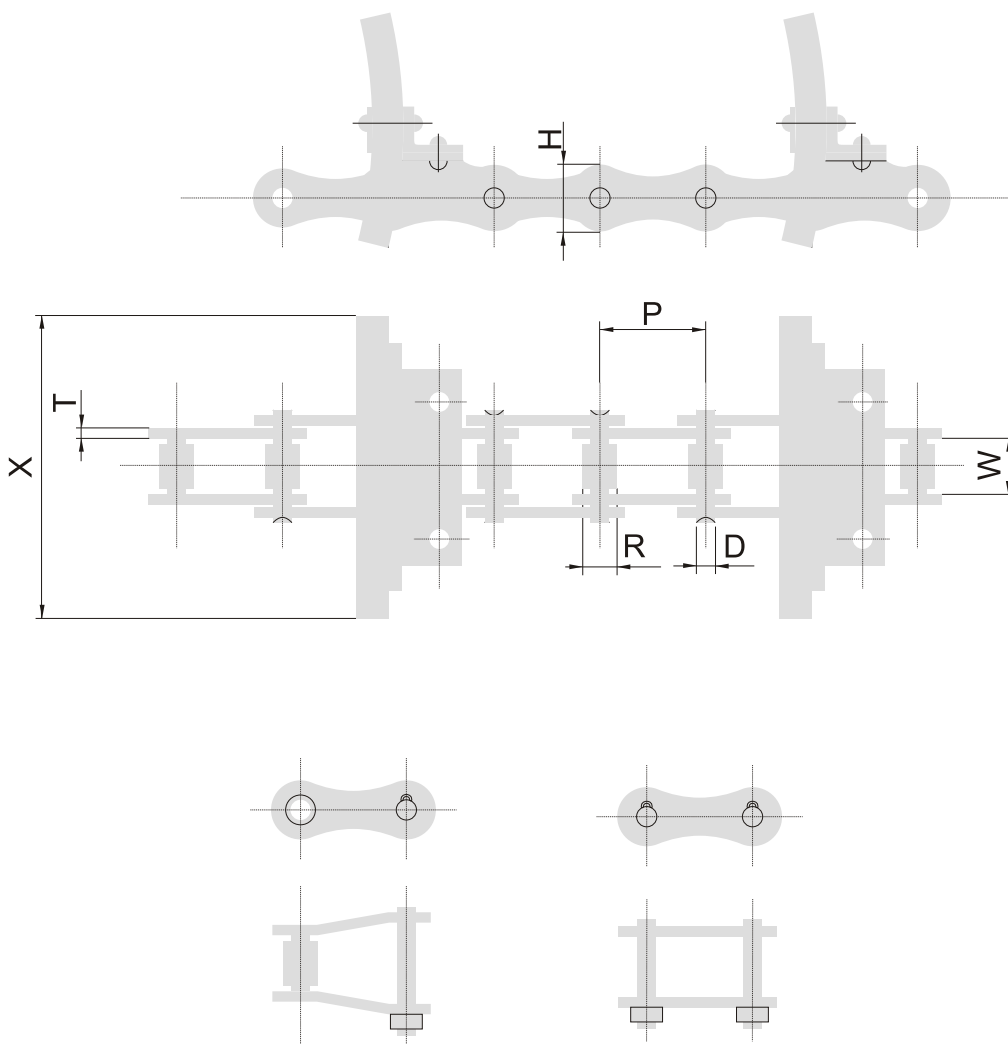
M

# „S” TYPE ROLLER CHAINS WITH RUBBER BLADES

S-ROLLENKETTEN MIT GUMMISCHAUFELN

ŁAŃCUCHY ROLKOWE TYPU „S” Z ŁOPATKAMI GUMOWYMI

„S” TYPE ROLLER CHAINS  
S-ROLLENKETTEN  
ŁAŃCUCHY ROLKOWE TYPU „S”



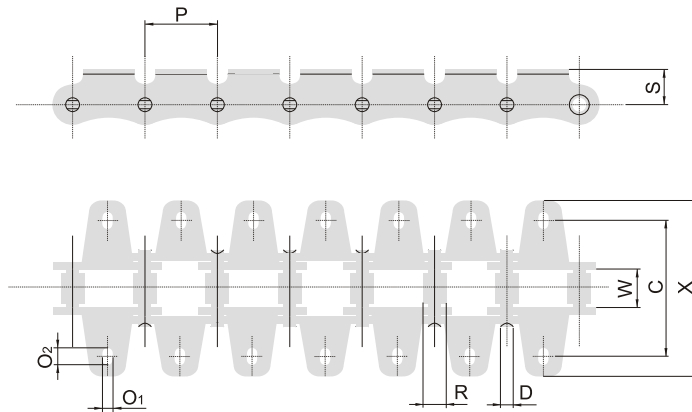
| Pitch |       | Model         | Width |       | Roller   | Pin      | Plate     |      | Tensile |       | Weight         |        |
|-------|-------|---------------|-------|-------|----------|----------|-----------|------|---------|-------|----------------|--------|
| [mm]  | [in.] |               | W min | R     | dia. / Ø | dia. / Ø | thickness | X    | C       | T     | strength       | q      |
|       |       |               | [mm]  | [mm]  |          |          | [mm]      | [mm] | [mm]    | [mm]  | F <sub>B</sub> | [kg/m] |
|       |       |               |       |       |          |          |           |      |         |       | N              |        |
| 41,3  | 1"5/8 | KAZ-S55X/TM-1 | 20    | 15,88 | 8,28     | 20       | 110       | 52   | 3       | 50000 | 3,8            |        |
| 41,3  | 1"5/8 | KAZ-S55X/TM-2 | 20    | 15,88 | 8,28     | 20       | 136       | 52   | 3       | 50000 | 3,93           |        |
| 41,3  | 1"5/8 | KAZ-S55X/TM-3 | 20    | 15,88 | 8,28     | 20       | 166       | 52   | 3       | 50000 | 5,3            |        |

# „S” TYPE ROLLER CHAINS

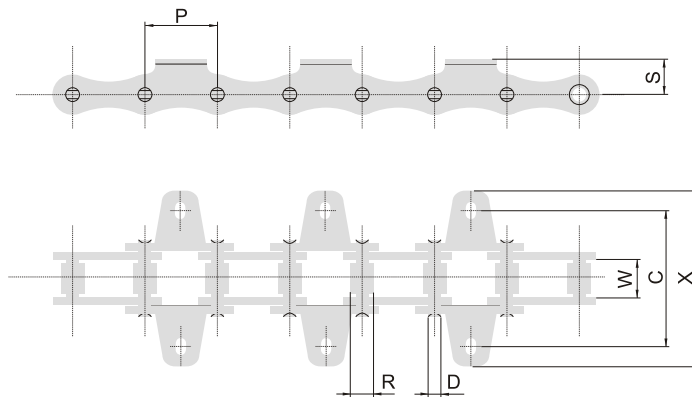
S-ROLLENKETTEN

ŁAŃCUCHY ROLKOWE TYPU „S”

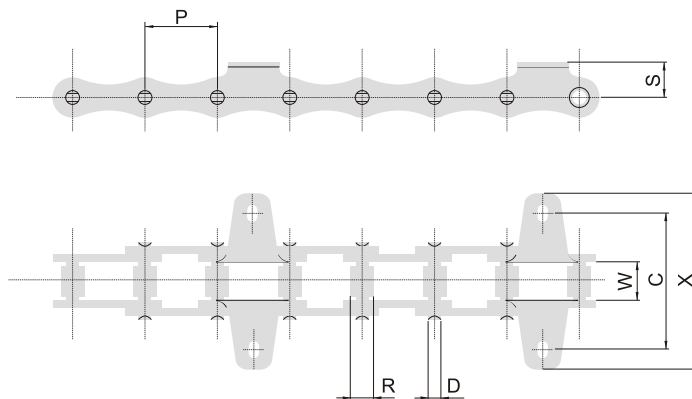
RL-3



RL-4



RL-5



| Pitch |       | Model         | Width | Roller               | Pin                  | Plate     |      |      |      |      |      |      | Tensile |          |
|-------|-------|---------------|-------|----------------------|----------------------|-----------|------|------|------|------|------|------|---------|----------|
| [mm]  | [in.] |               | W min | dia. / $\varnothing$ | dia. / $\varnothing$ | thickness | H    | C    | X    | S    | T    | O1   | O2      | strength |
|       |       |               | [mm]  | [mm]                 | [mm]                 | [mm]      | [mm] | [mm] | [mm] | [mm] | [mm] | [mm] | [mm]    | $F_B$    |
| 41,3  | 1"5/8 | KAZ-S55X/RL-3 | 20    | 15,88                | 8,28                 | 20        | 52   | 74,9 | 17   | 3    | 8,3  | 10   | 50000   |          |
| 41,3  | 1"5/8 | KAZ-S55X/RL-4 | 20    | 15,88                | 8,28                 | 20        | 52   | 74,9 | 17   | 3    | 8,3  | 10   | 50000   |          |
| 41,3  | 1"5/8 | KAZ-S55X/RL-5 | 20    | 15,88                | 8,28                 | 20        | 52   | 74,9 | 17   | 3    | 8,3  | 10   | 50000   |          |

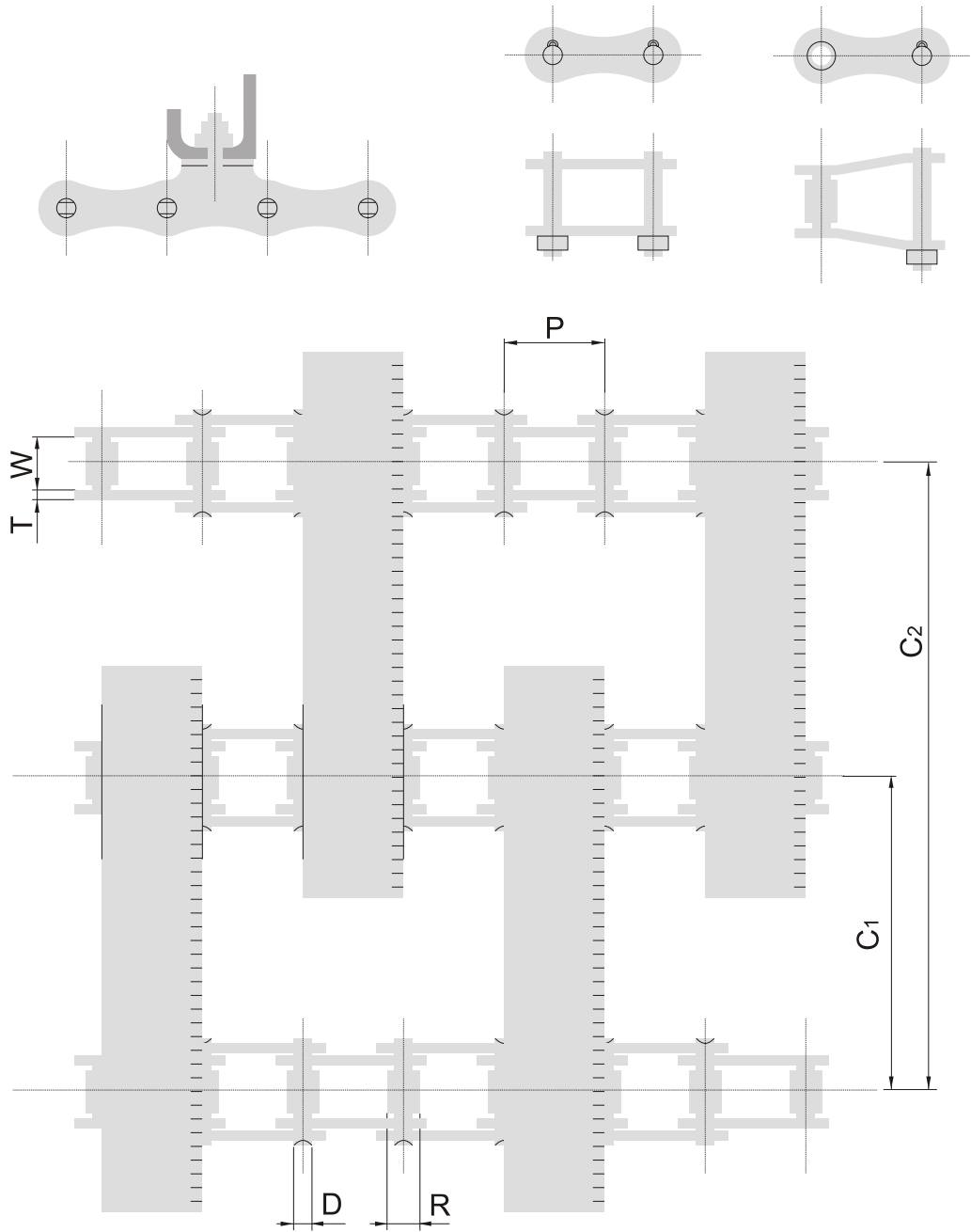
„S” TYPE ROLLER CHAINS  
S-ROLLENKETTEN  
ŁAŃCUCHY ROLKOWE TYPU „S”



# „S” TYPE ROLLER CHAINS WITH SLAT

S-ROLLENKETTEN MIT LEISTEN

ŁAŃCUCHY ROLKOWE TYPU „S” Z LISTWAMI

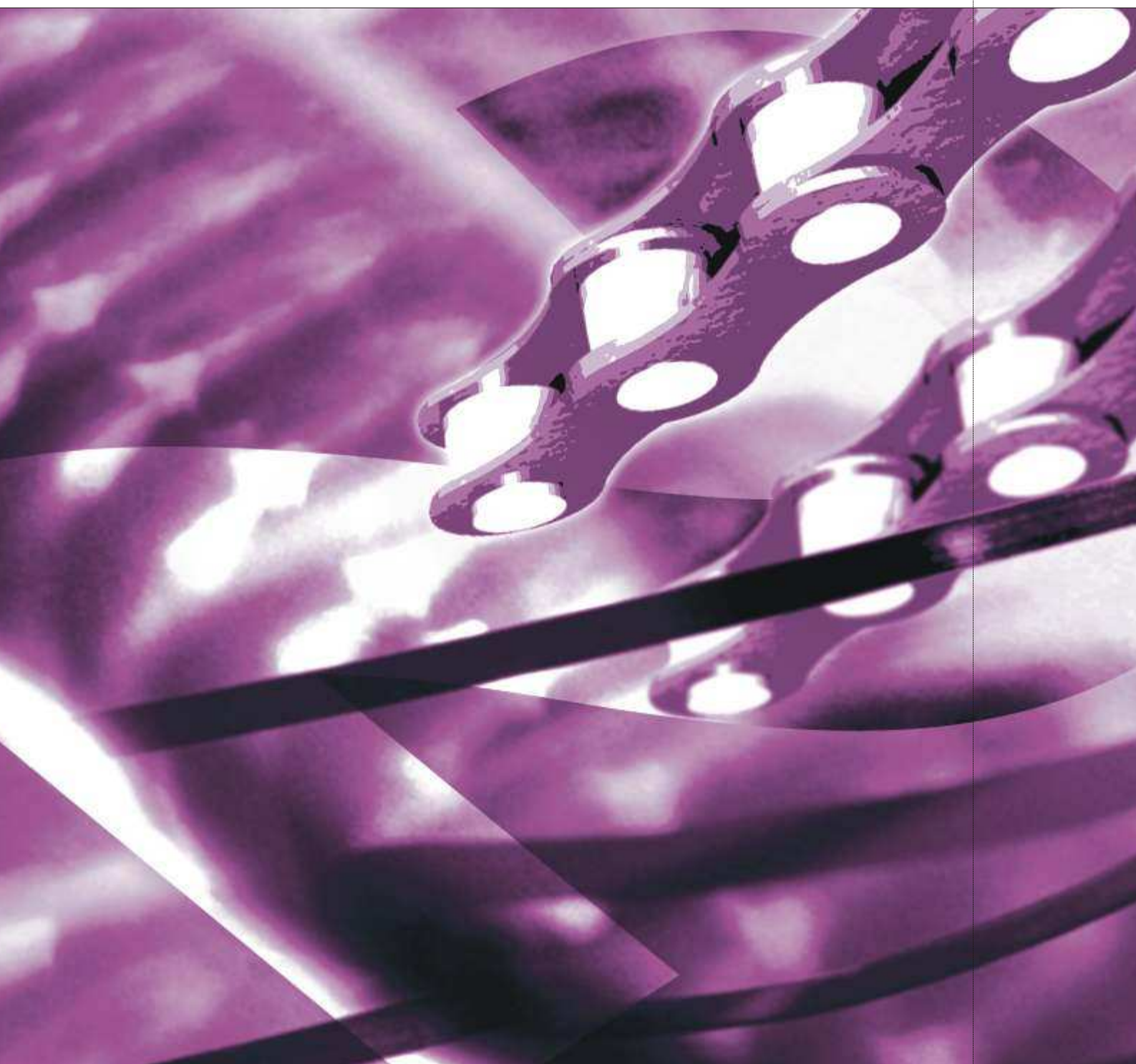


| Pitch |       | Model       | Width | Roller   | Pin      | Plate     |      |      |      | Weight |
|-------|-------|-------------|-------|----------|----------|-----------|------|------|------|--------|
| [mm]  | [in.] |             | W min | dia. / Ø | dia. / Ø | thickness | C1   | C2   | T    | q      |
|       |       |             | [mm]  | R        | D        | H         | [mm] | [mm] | [mm] | [kg/m] |
| 41,3  | 1"5/8 | KAZ-S55X/TM | 20    | 15,88    | 8,28     | 20        | 500  | 1000 | 3    | 24     |

# DOUBLE PITCH CHAINS

Langgliedrige ketten  
Łańcuchy o podwójnej podziałce

**F**



## DOUBLE PITCH CHAINS

Langgliedrige ketten  
Łańcuchy o podwójnej podziałce

### Contents

### Page

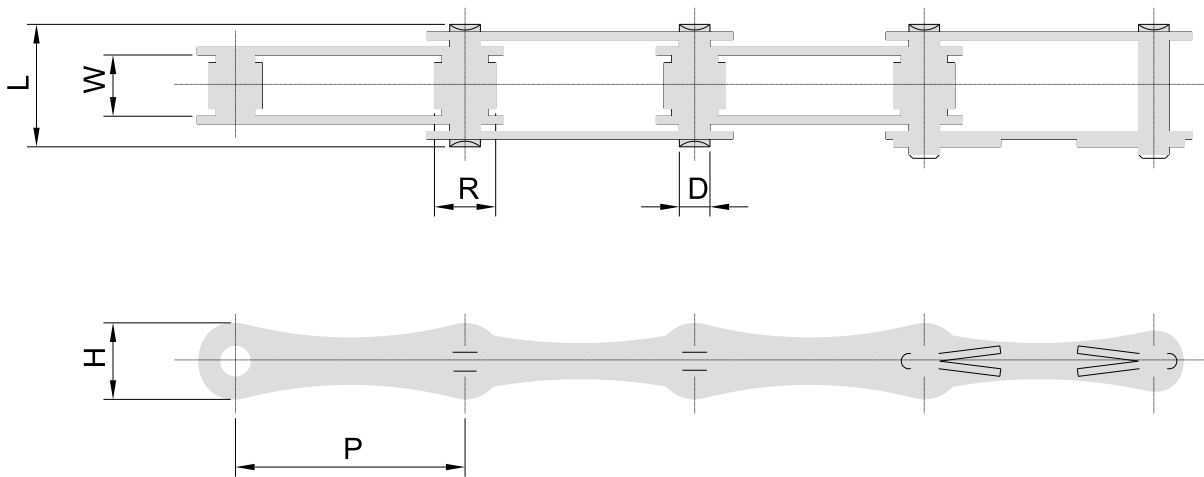
|  |       |
|--|-------|
| DOUBLE PITCH ROLLER CHAINS<br>KAZ A2040 - KAZ A2080                      | F - 1 |
| DOUBLE PITCH ROLLER CHAINS WITH STRAIGHT PLATE<br>KAZ C2040 - KAZ C2160H | F - 2 |
| KAZ C2042 - KAZ C2162H   | F - 3 |
| KAZ C2042 PR - KAZ C2102H SSPR   | F - 4 |



# DOUBLE PITCH ROLLER CHAINS

LANGGLIEDRIGE ROLLENKETTEN

ŁAŃCUCHY ROLKOWE Z PODWÓJNĄ PODZIAŁKĄ



| Chain No.<br>ANSI | Model            | Pitch         | Working<br>dimensions | Roller<br>dia. / Ø | Pin<br>dia. / Ø | Pin<br>length | Height of<br>plate links | Average<br>tensile<br>strength | Weight               |
|-------------------|------------------|---------------|-----------------------|--------------------|-----------------|---------------|--------------------------|--------------------------------|----------------------|
|                   |                  | P             | W min                 | R max              | D max           | L             | H max                    |                                | q                    |
|                   |                  | [in.]<br>[mm] | [in.]<br>[mm]         | [in.]<br>[mm]      | [in.]<br>[mm]   | [in.]<br>[mm] | [in.]<br>[mm]            | [lbs.]<br>[N]                  | [lbs./ft.]<br>[kg/m] |
| <b>A2040</b>      | <b>KAZ A2040</b> | 1,000         | 0,312                 | 0,312              | 0,156           | 0,650         | 0,472                    | 4 070                          | 0,26                 |
|                   |                  | 25,40         | 7,92                  | 7,92               | 3,96            | 16,50         | 12,00                    | 18 110                         | 0,39                 |
| <b>A2050</b>      | <b>KAZ A2050</b> | 1,250         | 0,375                 | 0,400              | 0,200           | 0,812         | 0,591                    | 6 710                          | 0,42                 |
|                   |                  | 31,75         | 9,52                  | 10,16              | 5,08            | 20,60         | 15,00                    | 29 860                         | 0,63                 |
| <b>A2060</b>      | <b>KAZ A2060</b> | 1,500         | 0,500                 | 0,469              | 0,234           | 1,012         | 0,709                    | 9 200                          | 0,63                 |
|                   |                  | 38,10         | 12,70                 | 11,91              | 5,94            | 25,70         | 18,00                    | 40 900                         | 0,94                 |
| <b>A2080</b>      | <b>KAZ A2080</b> | 2,000         | 0,625                 | 0,625              | 0,312           | 1,280         | 0,906                    | 16 000                         | 1,03                 |
|                   |                  | 50,80         | 15,88                 | 15,88              | 7,92            | 32,50         | 23,00                    | 71 150                         | 1,53                 |

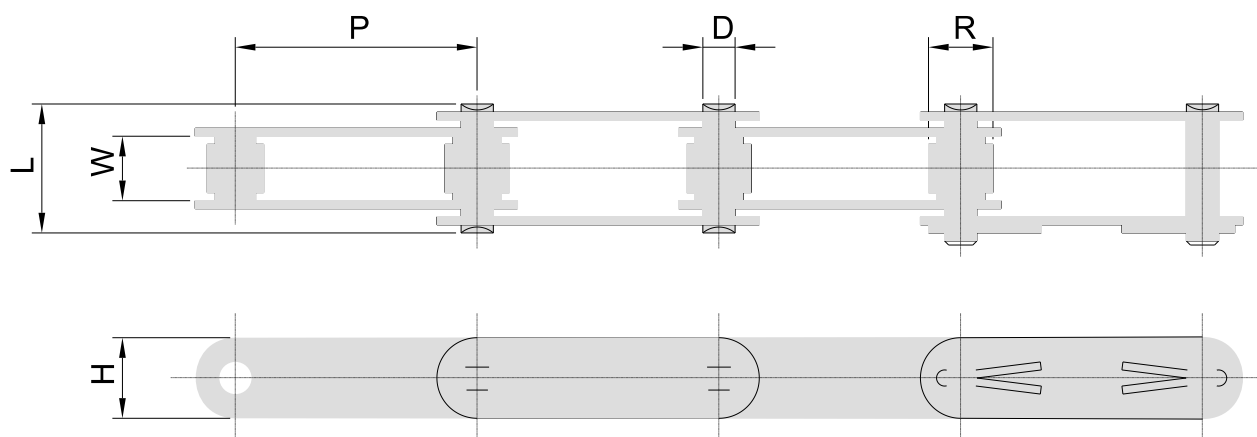
DOUBLE PITCH CHAINS  
LANGGLIEDRIGE KETTEN  
ŁAŃCUCHY O PODWÓJNEJ PODZIAŁCE



# DOUBLE PITCH ROLLER CHAINS WITH STRAIGHT PLATE

LANGGLIEDRIGE ROLLENKETTEN MIT GERADEN LASCHEN

ŁAŃCUCHY ROLKOWE O PODWÓJNEJ PODZIAŁCE Z PŁYTKĄ PROSTĄ

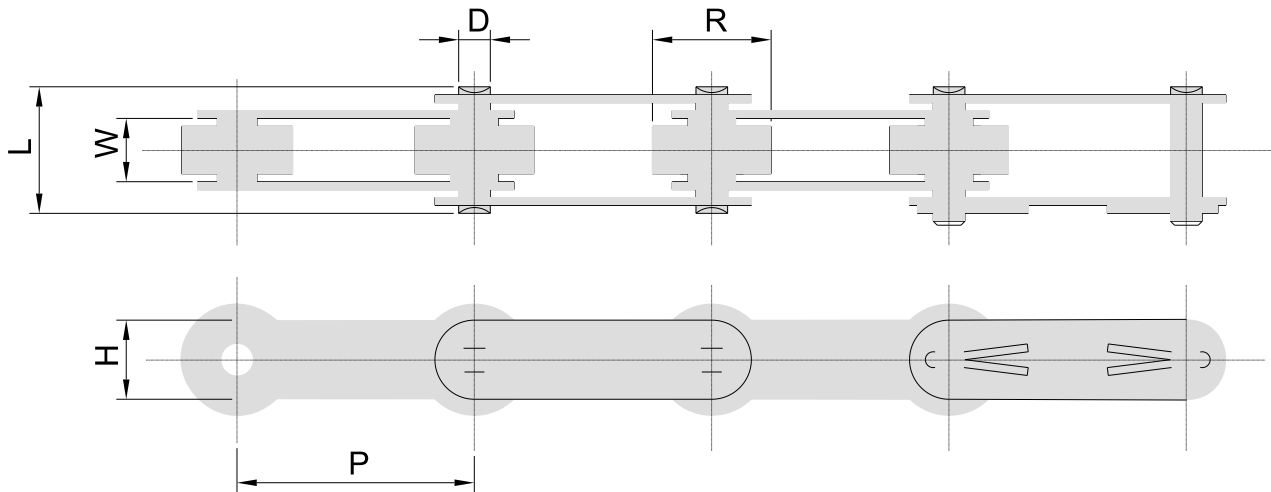


| Chain No.<br>ANSI                  | Model             | Pitch  | Working<br>dimensions | Roller<br>dia. / Ø | Pin<br>dia. / Ø | Pin<br>length | Height of<br>plate links | Average<br>tensile<br>strength | Weight     |
|------------------------------------|-------------------|--------|-----------------------|--------------------|-----------------|---------------|--------------------------|--------------------------------|------------|
|                                    |                   | P      | W min                 | R max              | D max           | L             | H max                    | strength                       | q          |
|                                    |                   | [in.]  | [in.]                 | [in.]              | [in.]           | [in.]         | [in.]                    | [lbs.]                         | [lbs./ft.] |
|                                    |                   | [mm]   | [mm]                  | [mm]               | [mm]            | [mm]          | [mm]                     | [N]                            | [kg/m]     |
| <b>Chains with standard roller</b> |                   |        |                       |                    |                 |               |                          |                                |            |
| <b>C2040</b>                       | <b>KAZ C2040</b>  | 1,000  | 0,312                 | 0,312              | 0,156           | 0,650         | 0,472                    | 4 120                          | 0,34       |
|                                    |                   | 25,40  | 7,92                  | 7,92               | 3,96            | 16,50         | 12,00                    | 18 330                         | 0,51       |
| <b>C2050</b>                       | <b>KAZ C2050</b>  | 1,250  | 0,375                 | 0,400              | 0,200           | 0,812         | 0,591                    | 6 790                          | 0,56       |
|                                    |                   | 31,75  | 9,52                  | 10,16              | 5,08            | 20,60         | 15,00                    | 30 220                         | 0,83       |
| <b>C2060H</b>                      | <b>KAZ C2060H</b> | 1,500  | 0,500                 | 0,469              | 0,234           | 1,150         | 0,677                    | 9 800                          | 1,01       |
|                                    |                   | 38,10  | 12,70                 | 11,91              | 5,94            | 29,20         | 17,20                    | 43 600                         | 1,50       |
| <b>C2080H</b>                      | <b>KAZ C2080H</b> | 2,000  | 0,622                 | 0,625              | 0,312           | 1,440         | 0,906                    | 17 000                         | 1,62       |
|                                    |                   | 50,80  | 15,80                 | 15,88              | 7,92            | 36,60         | 23,00                    | 75 600                         | 2,41       |
| <b>C2100H</b>                      | <b>KAZ C2100H</b> | 2,500  | 0,750                 | 0,750              | 0,375           | 1,660         | 1,150                    | 26 500                         | 2,38       |
|                                    |                   | 63,50  | 19,05                 | 19,05              | 9,53            | 42,20         | 29,20                    | 117 850                        | 3,54       |
| <b>C2120H</b>                      | <b>KAZ C2120H</b> | 3,000  | 1,000                 | 0,875              | 0,473           | 2,060         | 1,370                    | 37 000                         | 3,41       |
|                                    |                   | 76,20  | 25,40                 | 22,23              | 11,10           | 52,30         | 34,80                    | 164 500                        | 5,10       |
| <b>C2160H</b>                      | <b>KAZ C2160H</b> | 4,000  | 1,250                 | 1,250              | 0,562           | 2,677         | 1,870                    | 63 000                         | 6,05       |
|                                    |                   | 101,60 | 31,75                 | 31,75              | 14,27           | 68,00         | 47,50                    | 280 150                        | 9,00       |

# DOUBLE PITCH ROLLER CHAINS WITH STRAIGHT PLATE

LANGGLIEDRIGE ROLLENKETTEN MIT GERADEN LASCHEN

ŁAŃCUCHY ROLKOWE O PODWÓJNEJ PODZIAŁCE Z PŁYTKĄ PROSTĄ



| Chain No.<br>ANSI                  | Model             | Pitch           | Working<br>dimensions | Roller<br>dia. / Ø | Pin<br>dia. / Ø | Pin<br>length  | Height of<br>plate links | Average<br>tensile<br>strength | Weight               |
|------------------------------------|-------------------|-----------------|-----------------------|--------------------|-----------------|----------------|--------------------------|--------------------------------|----------------------|
|                                    |                   | P               | W min                 | R max              | D max           | L              | H max                    |                                | q                    |
|                                    |                   | [in.]<br>[mm]   | [in.]<br>[mm]         | [in.]<br>[mm]      | [in.]<br>[mm]   | [in.]<br>[mm]  | [in.]<br>[mm]            | [lbs.]<br>[N]                  | [lbs./ft.]<br>[kg/m] |
| <b>Chains with enlarged roller</b> |                   |                 |                       |                    |                 |                |                          |                                |                      |
| <b>C2042</b>                       | <b>KAZ C2042</b>  | 1,000<br>25,40  | 0,312<br>7,92         | 0,625<br>15,88     | 0,156<br>3,96   | 0,650<br>16,50 | 0,472<br>12,00           | 4 120<br>18 330                | 0,58<br>0,86         |
| <b>C2052</b>                       | <b>KAZ C2052</b>  | 1,250<br>31,75  | 0,375<br>9,52         | 0,750<br>19,05     | 0,200<br>5,08   | 0,812<br>20,60 | 0,591<br>15,00           | 6 790<br>30 220                | 0,87<br>1,30         |
| <b>C2062H</b>                      | <b>KAZ C2062H</b> | 1,500<br>38,10  | 0,500<br>12,70        | 0,875<br>22,23     | 0,234<br>5,94   | 1,150<br>29,20 | 0,677<br>17,20           | 9 800<br>43 600                | 1,49<br>2,22         |
| <b>C2082H</b>                      | <b>KAZ C2082H</b> | 2,000<br>50,80  | 0,622<br>15,80        | 1,125<br>28,58     | 0,312<br>7,92   | 1,440<br>36,60 | 0,906<br>23,00           | 17 000<br>75 600               | 2,39<br>3,56         |
| <b>C2102H</b>                      | <b>KAZ C2102H</b> | 2,500<br>63,50  | 0,750<br>19,05        | 1,562<br>39,67     | 0,375<br>9,53   | 1,660<br>42,20 | 1,150<br>29,20           | 26 500<br>117 850              | 3,90<br>5,80         |
| <b>C2122H</b>                      | <b>KAZ C2122H</b> | 3,000<br>76,20  | 1,000<br>25,40        | 1,750<br>44,45     | 0,473<br>11,10  | 2,060<br>52,30 | 1,370<br>34,80           | 37 000<br>164 500              | 5,46<br>8,13         |
| <b>C2162H</b>                      | <b>KAZ C2162H</b> | 4,000<br>101,60 | 1,250<br>31,75        | 2,250<br>57,15     | 0,562<br>14,27  | 2,677<br>68,00 | 1,870<br>47,50           | 63 000<br>280 150              | 9,25<br>13,76        |

DOUBLE PITCH CHAINS  
LANGGLIEDRIGE KETTEN  
ŁAŃCUCHY O PODWÓJNEJ PODZIAŁCE

A

B

C

D

E

F

G

H

I

J

K

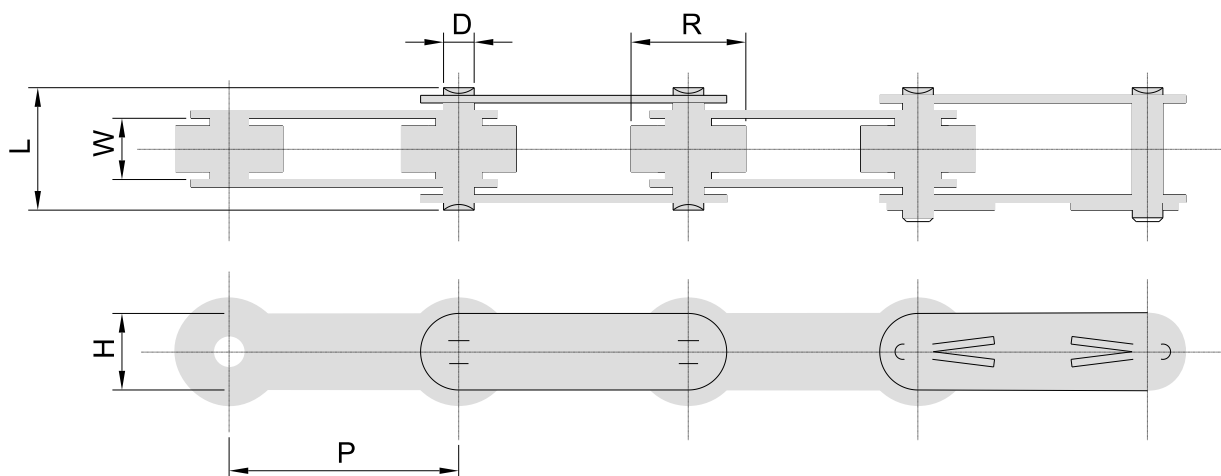
L

M

# DOUBLE PITCH ROLLER CHAINS WITH STRAIGHT PLATE

LANGGLIEDRIGE ROLLENKETTEN MIT GERADEN LASCHEN

ŁAŃCUCHY ROLKOWE O PODWÓJNEJ PODZIAŁCE Z PŁYTKĄ PROSTĄ I ROLKĄ Z TWORZYWA SZTUCZNEGO



| Model                  | Pitch<br>P | Working<br>dimensions<br>W min | Roller<br>dia. / Ø<br>R max | Pin<br>dia. / Ø<br>D max | Pin<br>length<br>L | Height of<br>plate links<br>H max | Average<br>tensile<br>strength | Weight<br>q |
|------------------------|------------|--------------------------------|-----------------------------|--------------------------|--------------------|-----------------------------------|--------------------------------|-------------|
|                        | [in.]      | [in.]                          | [in.]                       | [in.]                    | [in.]              | [in.]                             | [lbs.]                         | [lbs./ft.]  |
|                        | [mm]       | [mm]                           | [mm]                        | [mm]                     | [mm]               | [mm]                              | [N]                            | [kg/m]      |
| <b>KAZ C2042 PR</b>    | 1,000      | 0,312                          | 0,625                       | 0,156                    | 0,650              | 0,472                             | 4 120                          | 0,33        |
|                        | 25,40      | 7,92                           | 15,88                       | 3,96                     | 16,50              | 12,00                             | 18 330                         | 0,49        |
| <b>KAZ C2052 PR</b>    | 1,250      | 0,375                          | 0,750                       | 0,200                    | 0,812              | 0,591                             | 6 790                          | 0,57        |
|                        | 31,75      | 9,52                           | 19,05                       | 5,08                     | 20,60              | 15,00                             | 30 220                         | 0,85        |
| <b>KAZ C2062H PR</b>   | 1,500      | 0,500                          | 0,875                       | 0,234                    | 1,150              | 0,709                             | 9 800                          | 0,99        |
|                        | 38,10      | 12,70                          | 22,23                       | 5,94                     | 29,20              | 18,00                             | 43 600                         | 1,47        |
| <b>KAZ C2082H PR</b>   | 2,000      | 0,622                          | 1,125                       | 0,312                    | 1,440              | 0,906                             | 17 000                         | 1,77        |
|                        | 50,80      | 15,80                          | 28,58                       | 7,92                     | 36,60              | 23,00                             | 75 600                         | 2,63        |
| <b>KAZ C2102H PR</b>   | 2,500      | 0,750                          | 1,562                       | 0,375                    | 1,660              | 1,126                             | 26 500                         | 2,46        |
|                        | 63,50      | 19,05                          | 39,67                       | 9,53                     | 42,20              | 28,60                             | 117 850                        | 3,66        |
| <b>KAZ C2042 SSPR</b>  | 1,000      | 0,312                          | 0,625                       | 0,156                    | 0,650              | 0,472                             | 1 940                          | 0,33        |
|                        | 25,40      | 7,92                           | 15,88                       | 3,96                     | 16,50              | 12,00                             | 8 630                          | 0,49        |
| <b>KAZ C2052 SSPR</b>  | 1,250      | 0,375                          | 0,750                       | 0,200                    | 0,812              | 0,591                             | 3 450                          | 0,57        |
|                        | 31,75      | 9,52                           | 19,05                       | 5,08                     | 20,60              | 15,00                             | 15 350                         | 0,85        |
| <b>KAZ C2062H SSPR</b> | 1,500      | 0,500                          | 0,875                       | 0,234                    | 1,150              | 0,709                             | 7 000                          | 0,99        |
|                        | 38,10      | 12,70                          | 22,23                       | 5,94                     | 29,20              | 18,00                             | 31 100                         | 1,47        |
| <b>KAZ C2082H SSPR</b> | 2,000      | 0,622                          | 1,125                       | 0,312                    | 1,440              | 0,906                             | 12 500                         | 1,77        |
|                        | 50,80      | 15,80                          | 28,58                       | 7,92                     | 36,60              | 23,00                             | 55 600                         | 2,63        |
| <b>KAZ C2102H SSPR</b> | 2,500      | 0,750                          | 1,562                       | 0,375                    | 1,660              | 1,126                             | 14 500                         | 2,46        |
|                        | 63,50      | 19,05                          | 39,67                       | 9,53                     | 42,20              | 28,60                             | 64 500                         | 3,66        |



# CHAINS WITH ANTICORROSIVE COATING

Rostfreie ketten  
Łańcuchy o powłoce antykorozyjnej

# G



## CHAINS WITH ANTICORROSIVE COATING

Rostfreie ketten  
Łańcuchy o powłoce antykorozyjnej

### Contents

### Page

KAZ 40 CAC - KAZ 100 CAC

G - 1

KAZ C2040 CAC - KAZ C2080H CAC

G - 2

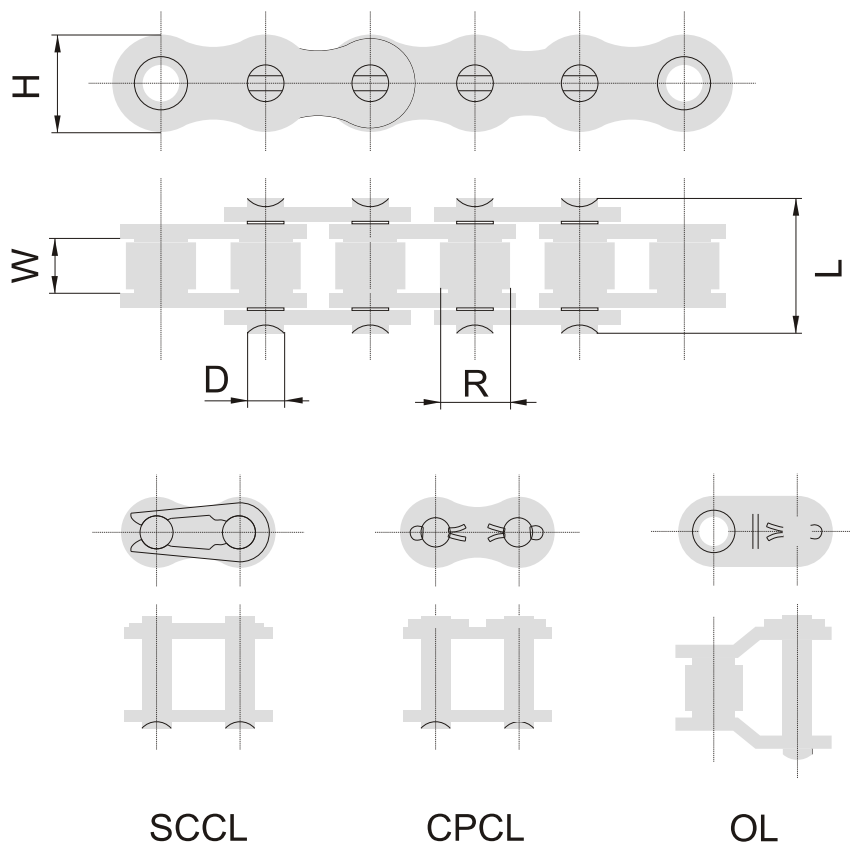
KAZ C2042 CAC - KAZ C2082H CAC

G - 2

# CHAINS WITH ANTICORROSIVE COATING

ROSTFREIE KETTEN

ŁAŃCUCHY O POWŁOCIE ANTYKOROZYJNEJ



SCCL

CPCL

OL

| Chain No.<br>ANSI | Model              | Pitch  | Working dimensions |       | Roller dia. / Ø | Pin dia. / Ø | Pin length | Height of plate links | Average tensile strength | Approx. weight |
|-------------------|--------------------|--------|--------------------|-------|-----------------|--------------|------------|-----------------------|--------------------------|----------------|
|                   |                    | P      | W min              | R max | D max           | L max        | H max      |                       | q                        |                |
|                   |                    | [in.]  | [in.]              | [in.] | [in.]           | [in.]        | [in.]      | [in.]                 | [lbs.]                   | [lbs./ft.]     |
|                   |                    | [mm]   | [mm]               | [mm]  | [mm]            | [mm]         | [mm]       | [mm]                  | [N]                      | [kg/m]         |
| 40                | <b>KAZ 40 CAC</b>  | 0,500  | 0,312              | 0,312 | 0,156           | 0,650        | 0,465      | 4 650                 | 0,43                     |                |
|                   |                    | 12,700 | 7,92               | 7,92  | 3,96            | 16,50        | 11,80      | 20 690                | 0,64                     |                |
| 50                | <b>KAZ 50 CAC</b>  | 0,625  | 0,375              | 0,400 | 0,200           | 0,811        | 0,591      | 7 650                 | 0,70                     |                |
|                   |                    | 15,875 | 9,52               | 10,16 | 5,08            | 20,60        | 15,00      | 34 040                | 1,04                     |                |
| 60                | <b>KAZ 60 CAC</b>  | 0,750  | 0,500              | 0,469 | 0,234           | 1,012        | 0,713      | 10 700                | 1,03                     |                |
|                   |                    | 19,050 | 12,70              | 11,91 | 5,94            | 25,70        | 18,10      | 47 580                | 1,53                     |                |
| 80                | <b>KAZ 80 CAC</b>  | 1,000  | 0,625              | 0,625 | 0,312           | 1,280        | 0,945      | 19 400                | 1,79                     |                |
|                   |                    | 25,400 | 15,88              | 15,88 | 7,92            | 32,50        | 24,00      | 86 300                | 2,66                     |                |
| 100               | <b>KAZ 100 CAC</b> | 1,250  | 0,750              | 0,750 | 0,375           | 1,583        | 1,181      | 29 100                | 2,68                     |                |
|                   |                    | 31,750 | 19,05              | 19,05 | 9,52            | 40,20        | 30,00      | 129 400               | 4,00                     |                |

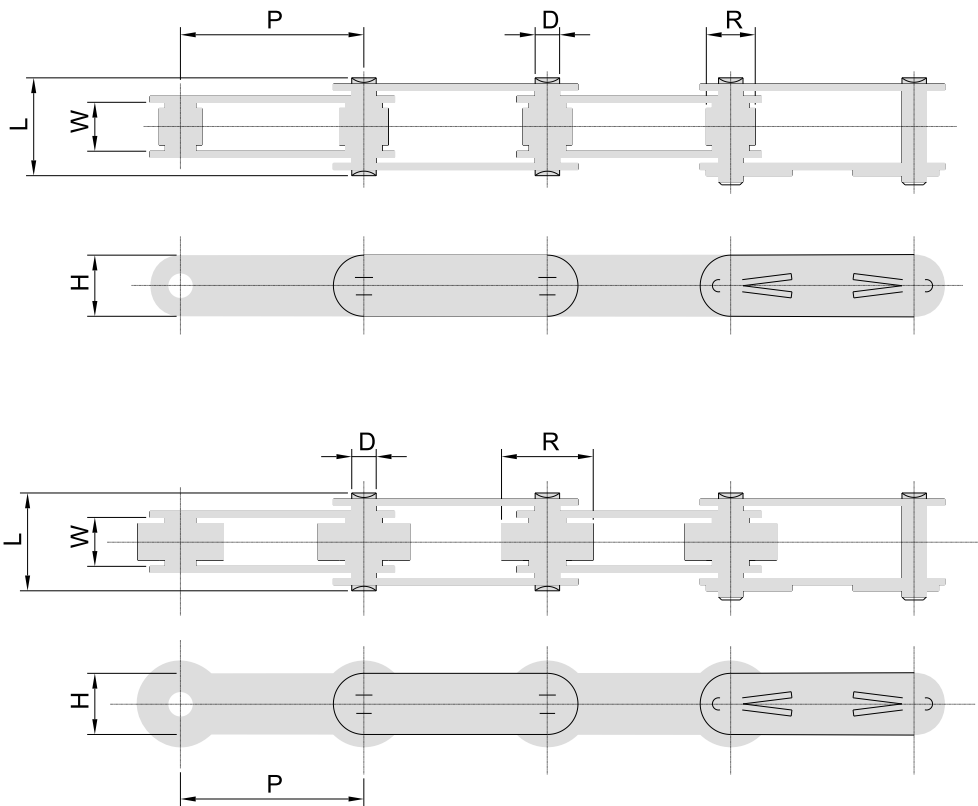




# CHAINS WITH ANTICORROSIVE COATING

ROSTFREIE KETTEN

ŁAŃCUCHY O POWŁOCIE ANTYKOROZYJNEJ

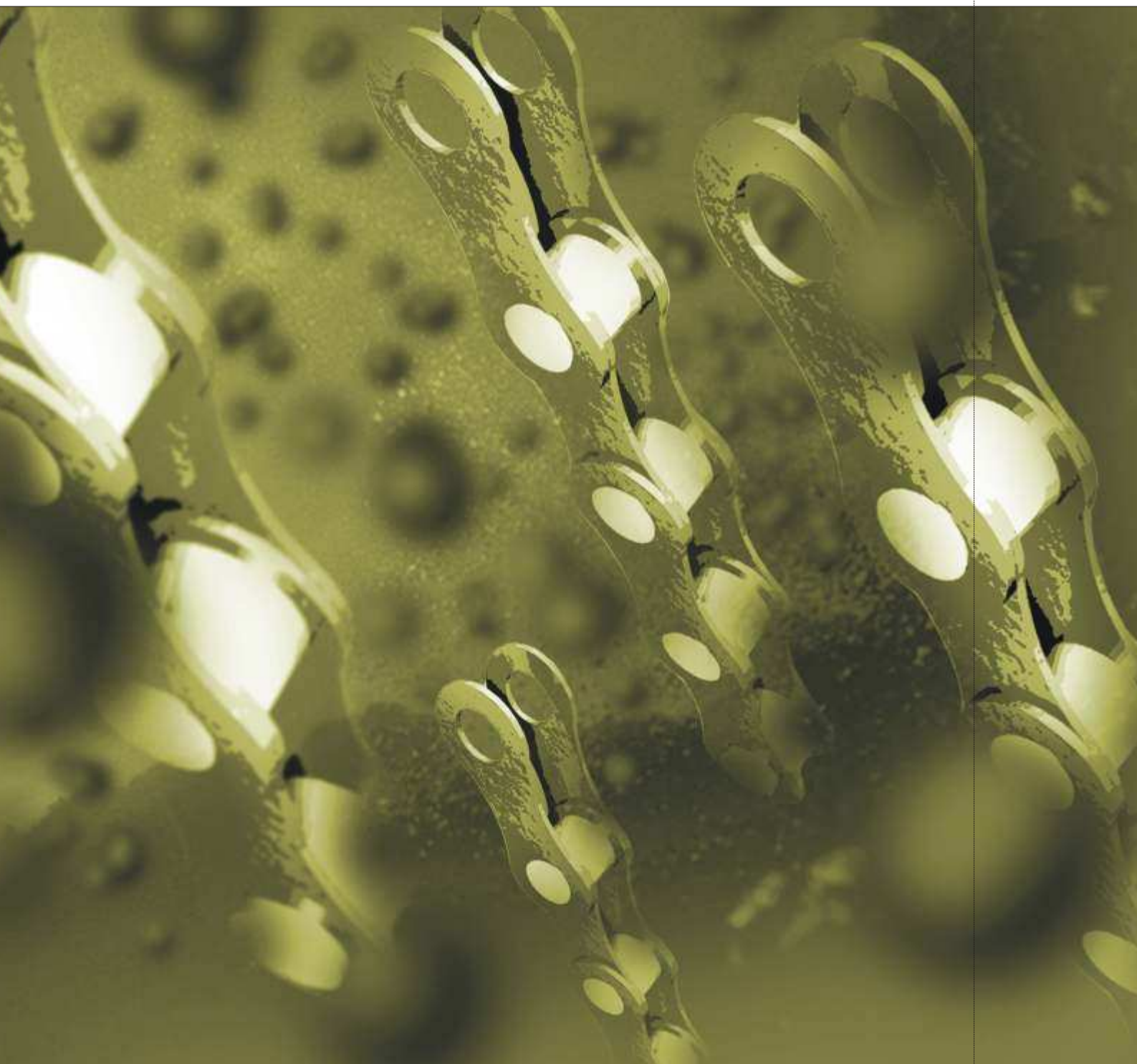


| Model                              | Pitch<br>P | Working<br>dimensions<br>W min | Roller<br>dia. / Ø<br>R max | Pin<br>dia. / Ø<br>D max | Pin<br>length<br>L | Height of<br>plate links<br>H max | Average<br>tensile<br>strength | Weight<br>q |
|------------------------------------|------------|--------------------------------|-----------------------------|--------------------------|--------------------|-----------------------------------|--------------------------------|-------------|
|                                    | [in.]      | [in.]                          | [in.]                       | [in.]                    | [in.]              | [in.]                             | [lbs.]                         | [lbs./ft.]  |
|                                    | [mm]       | [mm]                           | [mm]                        | [mm]                     | [mm]               | [mm]                              | [N]                            | [kg/m]      |
| <b>Chains with standard roller</b> |            |                                |                             |                          |                    |                                   |                                |             |
| <b>KAZ C2040 CAC</b>               | 1,000      | 0,312                          | 0,312                       | 0,156                    | 0,650              | 0,472                             | 4 120                          | 0,34        |
|                                    | 25,40      | 7,92                           | 7,92                        | 3,96                     | 16,50              | 12,00                             | 18 330                         | 0,51        |
| <b>KAZ C2050 CAC</b>               | 1,250      | 0,375                          | 0,400                       | 0,200                    | 0,812              | 0,591                             | 6 790                          | 0,56        |
|                                    | 31,75      | 9,52                           | 10,16                       | 5,08                     | 20,60              | 15,00                             | 30 220                         | 0,83        |
| <b>KAZ C2060H CAC</b>              | 1,500      | 0,500                          | 0,469                       | 0,234                    | 1,150              | 0,677                             | 9 800                          | 1,01        |
|                                    | 38,10      | 12,70                          | 11,91                       | 5,94                     | 29,20              | 17,20                             | 43 600                         | 1,50        |
| <b>KAZ C2080H CAC</b>              | 2,000      | 0,622                          | 0,625                       | 0,312                    | 1,440              | 0,906                             | 17 000                         | 1,62        |
|                                    | 50,80      | 15,80                          | 15,88                       | 7,92                     | 36,60              | 23,00                             | 75 600                         | 2,41        |
| <b>Chains with enlarged roller</b> |            |                                |                             |                          |                    |                                   |                                |             |
| <b>KAZ C2042 CAC</b>               | 1,000      | 0,312                          | 0,625                       | 0,156                    | 0,650              | 0,472                             | 4 120                          | 0,58        |
|                                    | 25,40      | 7,92                           | 15,88                       | 3,96                     | 16,50              | 12,00                             | 18 330                         | 0,86        |
| <b>KAZ C2052 CAC</b>               | 1,250      | 0,375                          | 0,750                       | 0,200                    | 0,812              | 0,591                             | 6 790                          | 0,87        |
|                                    | 31,75      | 9,52                           | 19,05                       | 5,08                     | 20,60              | 15,00                             | 30 220                         | 1,30        |
| <b>KAZ C2062H CAC</b>              | 1,500      | 0,500                          | 0,875                       | 0,234                    | 1,150              | 0,677                             | 9 800                          | 1,01        |
|                                    | 38,10      | 12,70                          | 22,23                       | 5,94                     | 29,20              | 17,20                             | 43 600                         | 1,50        |
| <b>KAZ C2082H CAC</b>              | 2,000      | 0,622                          | 1,125                       | 0,312                    | 1,440              | 0,906                             | 17 000                         | 1,62        |
|                                    | 50,80      | 15,80                          | 28,58                       | 7,92                     | 36,60              | 23,00                             | 75 600                         | 2,41        |

# ACID-PROOF CHAINS

Saurewiderstandsfähig ketten  
Łańcuchy kwasoodporne

**H**



## ACID-PROOF CHAINS

Saurewiderstandsfähig ketten  
Łańcuchy kwasoodporne

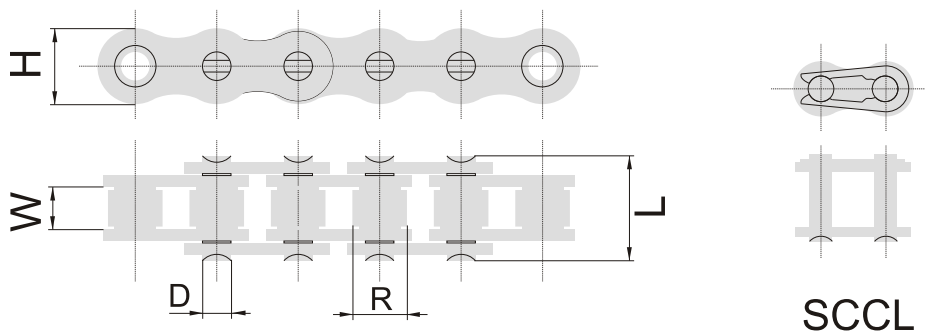
| Contents  | Page  |
|---|-------|
| Acid-proof roller chains (AISI: 304SS)<br>KAZ 06B-1 SS - KAZ 16B-1 SS   | H - 1 |
| Acid-proof roller chains (AISI: 304SS)<br>KAZ 35 SS - KAZ 100 SS  | H - 2 |
| Acid-proof double pitch roller chains (AISI: 304SS)<br>KAZ A2040 SS - KAZ A2080 SS  | H - 3 |
| Acid-proof double pitch roller chains with straight plate<br>KAZ C2040 SS - KAZ C2080 HSS<br>KAZ C2042 SS - KAZ C2082 HSS | H - 4 |

# ACID-PROOF ROLLER CHAINS (AISI: 304SS)

SAUREWIDERSTANDSAHIG ROLLENKETTEN (DIN: X5CrN:1810)

ŁAŃCUCHY ROLKOWE - KWASOODPORNE (PN: 0H18N9)

ACID-PROOF CHAINS  
SÄUREBESTÄNDIGE KETTEN  
ŁAŃCUCHY KWASOODPORNE



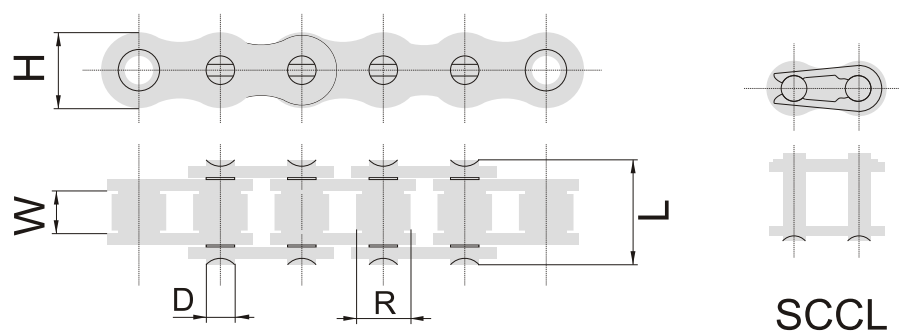
| Chain No.<br>ISO/DIN | Dimensions<br>P x W | Model               | Pitch<br>P | Working<br>dimensions<br>W min | Roller<br>dia. / Ø<br>R max | Pin<br>dia. / Ø<br>D max | Pin<br>length<br>L max | Height of<br>plate links<br>H max | Average<br>tensile<br>strength | Approx.<br>weight<br>q |
|----------------------|---------------------|---------------------|------------|--------------------------------|-----------------------------|--------------------------|------------------------|-----------------------------------|--------------------------------|------------------------|
|                      | [in.]               |                     | [in.]      | [in.]                          | [in.]                       | [in.]                    | [in.]                  | [in.]                             | [lbs.]                         | [lbs./ft.]             |
|                      |                     |                     | [mm]       | [mm]                           | [mm]                        | [mm]                     | [mm]                   | [mm]                              | [N]                            | [kg/m]                 |
| 06B-1                | 3/8"x7/32"          | <b>KAZ 06B-1 SS</b> | 0,375      | 0,225                          | 0,250                       | 0,129                    | 0,504                  | 0,325                             | 1 450                          | 0,24                   |
|                      |                     |                     | 9,525      | 5,72                           | 6,35                        | 3,28                     | 12,80                  | 8,25                              | 6 450                          | 0,36                   |
| 08B-1                | 1/2"x5/16"          | <b>KAZ 08B-1 SS</b> | 0,500      | 0,305                          | 0,335                       | 0,175                    | 0,645                  | 0,425                             | 2 220                          | 0,43                   |
|                      |                     |                     | 12,700     | 7,75                           | 8,51                        | 4,45                     | 16,40                  | 10,80                             | 9 880                          | 0,64                   |
| 10B-1                | 5/8"x3/8"           | <b>KAZ 10B-1 SS</b> | 0,625      | 0,380                          | 0,400                       | 0,200                    | 0,772                  | 0,559                             | 3 440                          | 0,60                   |
|                      |                     |                     | 15,875     | 9,65                           | 10,16                       | 5,08                     | 19,60                  | 14,20                             | 15 300                         | 0,89                   |
| 12B-1                | 3/4"x7/16"          | <b>KAZ 12B-1 SS</b> | 0,750      | 0,460                          | 0,475                       | 0,225                    | 0,894                  | 0,635                             | 4 040                          | 0,80                   |
|                      |                     |                     | 19,050     | 11,68                          | 12,07                       | 5,72                     | 22,70                  | 16,13                             | 17 960                         | 1,19                   |
| 16B-1                | 1"x17,02mm          | <b>KAZ 16B-1 SS</b> | 1,000      | 0,670                          | 0,625                       | 0,326                    | 1,421                  | 0,827                             | 11 440                         | 1,83                   |
|                      |                     |                     | 25,400     | 17,02                          | 15,88                       | 8,28                     | 36,10                  | 21,00                             | 50 910                         | 2,72                   |



# ACID-PROOF ROLLER CHAINS (AISI: 304SS)

SAUREWIDERSTANDSFAHIG ROLLENKETTEN (DIN: X5CrN:1810)

ŁAŃCUCHY ROLKOWE - KWASOODPORNE (PN: 0H18N9)



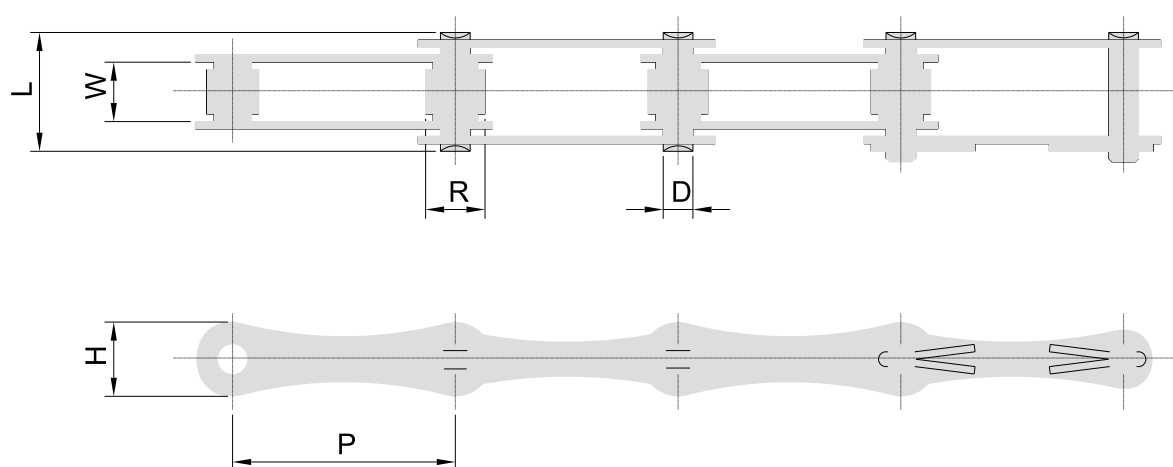
| Chain No.<br>ANSI | Model             | Pitch  | Working<br>dimensions | Roller<br>dia. / Ø | Pin<br>dia. / Ø | Pin<br>length | Height of<br>plate links | Average<br>tensile<br>strength | Approx.<br>weight<br>q |
|-------------------|-------------------|--------|-----------------------|--------------------|-----------------|---------------|--------------------------|--------------------------------|------------------------|
|                   |                   | P      | W min                 | R max              | D max           | L max         | H max                    |                                |                        |
|                   |                   | [in.]  | [in.]                 | [in.]              | [in.]           | [in.]         | [in.]                    | [lbs.]                         | [lbs./ft.]             |
|                   |                   | [mm]   | [mm]                  | [mm]               | [mm]            | [mm]          | [mm]                     | [N]                            | [kg/m]                 |
| 35*               | <b>KAZ 35 SS</b>  | 0,375  | 0,188                 | 0,200              | 0,141           | 0,465         | 0,346                    | 1 570                          | 0,22                   |
|                   |                   | 9,525  | 4,77                  | 5,06               | 3,58            | 11,80         | 8,80                     | 6 980                          | 0,33                   |
| 40                | <b>KAZ 40 SS</b>  | 0,500  | 0,312                 | 0,312              | 0,156           | 0,650         | 0,465                    | 1 940                          | 0,43                   |
|                   |                   | 12,700 | 7,92                  | 7,92               | 3,96            | 16,50         | 11,80                    | 8 630                          | 0,64                   |
| 50                | <b>KAZ 50 SS</b>  | 0,625  | 0,375                 | 0,400              | 0,200           | 0,811         | 0,591                    | 3 450                          | 0,70                   |
|                   |                   | 15,875 | 9,52                  | 10,16              | 5,08            | 20,60         | 15,00                    | 15 350                         | 1,04                   |
| 60                | <b>KAZ 60 SS</b>  | 0,750  | 0,500                 | 0,469              | 0,234           | 1,012         | 0,713                    | 3 440                          | 1,03                   |
|                   |                   | 19,050 | 12,70                 | 11,91              | 5,94            | 25,70         | 18,10                    | 15 300                         | 1,53                   |
| 80                | <b>KAZ 80 SS</b>  | 1,000  | 0,622                 | 0,625              | 0,312           | 1,280         | 0,945                    | 4 040                          | 1,79                   |
|                   |                   | 25,400 | 15,80                 | 15,88              | 7,92            | 32,50         | 24,00                    | 17 960                         | 2,66                   |
| 100               | <b>KAZ 100 SS</b> | 1,250  | 0,748                 | 0,750              | 0,375           | 1,583         | 1,181                    | 11 440                         | 2,59                   |
|                   |                   | 31,750 | 19,00                 | 19,05              | 9,52            | 40,20         | 30,00                    | 50 910                         | 3,85                   |

# ACID-PROOF DOUBLE PITCH ROLLER CHAINS (AISI: 304SS)

SAUREWIDERSTANDSAHIG LANGGLIEDRIGE ROLLENKETTEN (DIN: X5CrN:1810)

ŁAŃCUCHY ROLKOWE Z PODWÓJNĄ PODZIAŁKĄ - KWASOODPORNE (PN: 0H18N9)

ACID-PROOF CHAINS  
SÄUREBESTÄNDIGE KETTEN  
ŁAŃCUCHY KWASOODPORNE



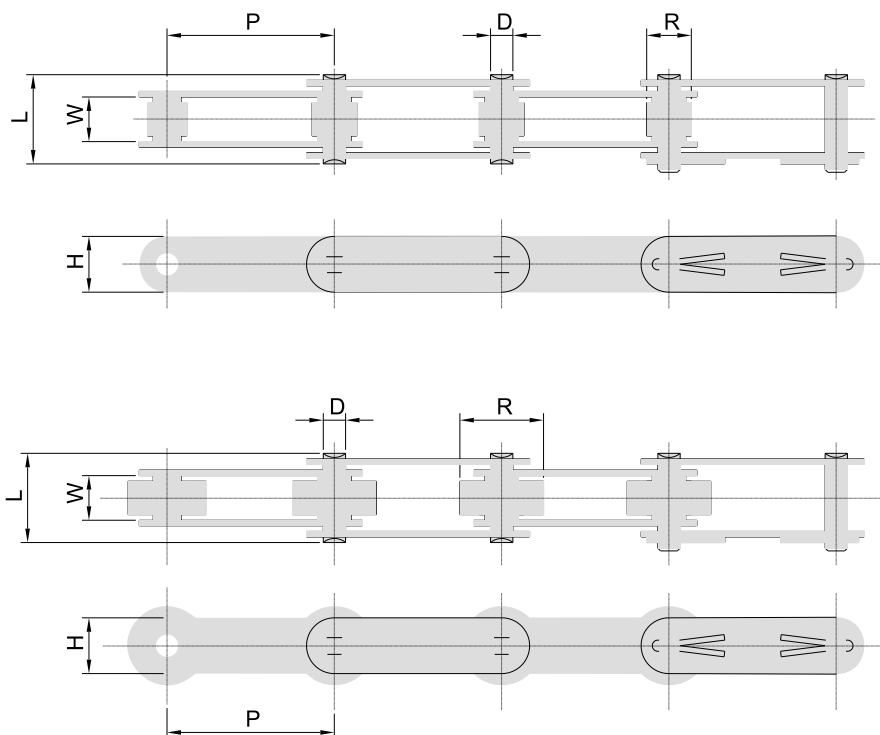
| Chain No.<br>ANSI | Model               | Pitch | Working<br>dimensions | Roller<br>dia. / Ø | Pin<br>dia. / Ø | Pin<br>length | Height of<br>plate links | Average<br>tensile<br>strength | Weight     |
|-------------------|---------------------|-------|-----------------------|--------------------|-----------------|---------------|--------------------------|--------------------------------|------------|
|                   |                     | P     | W min                 | R max              | D max           | L             | H max                    | q                              |            |
|                   |                     | [in.] | [in.]                 | [in.]              | [in.]           | [in.]         | [in.]                    | [lbs.]                         | [lbs./ft.] |
|                   |                     | [mm]  | [mm]                  | [mm]               | [mm]            | [mm]          | [mm]                     | [N]                            | [kg/m]     |
| <b>A2040SS</b>    | <b>KAZ A2040 SS</b> | 1,000 | 0,312                 | 0,312              | 0,156           | 0,650         | 0,472                    | 1 940                          | 0,26       |
|                   |                     | 25,40 | 7,92                  | 7,92               | 3,96            | 16,50         | 12,00                    | 8 630                          | 0,39       |
| <b>A2050SS</b>    | <b>KAZ A2050 SS</b> | 1,250 | 0,375                 | 0,400              | 0,200           | 0,812         | 0,591                    | 3 450                          | 0,42       |
|                   |                     | 31,75 | 9,52                  | 10,16              | 5,08            | 20,60         | 15,00                    | 15 350                         | 0,63       |
| <b>A2060SS</b>    | <b>KAZ A2060 SS</b> | 1,500 | 0,500                 | 0,469              | 0,234           | 1,012         | 0,709                    | 3 440                          | 0,63       |
|                   |                     | 38,10 | 12,70                 | 11,91              | 5,94            | 25,70         | 18,00                    | 15 300                         | 0,94       |
| <b>A2080SS</b>    | <b>KAZ A2080 SS</b> | 2,000 | 0,625                 | 0,625              | 0,312           | 1,280         | 0,906                    | 4 040                          | 1,03       |
|                   |                     | 50,80 | 15,88                 | 15,88              | 7,92            | 32,50         | 23,00                    | 17 960                         | 1,53       |



# ACID-PROOF DOUBLE PITCH ROLLER CHAINS WITH STRAIGHT PLATE

SAUREWIDERSTANDSAHIG LANGGLIEDRIGE ROLLENKETTEN MIT GERADEN LASCHEN (DIN: X5CrN:1810)

ŁAŃCUCHY ROLKOWE O PODWÓJNEJ PODZIAŁCE Z PŁYTKĄ PROSTĄ - KWASOODPORNE (PN: 0H18N9)



| Chain No.<br>ANSI                  | Model                | Pitch | Working<br>dimensions | Roller<br>dia. / Ø | Pin<br>dia. / Ø | Pin<br>length | Height of<br>plate links | Average<br>tensile<br>strength | Weight     |
|------------------------------------|----------------------|-------|-----------------------|--------------------|-----------------|---------------|--------------------------|--------------------------------|------------|
|                                    |                      | P     | W min                 | R max              | D max           | L             | H max                    | strength                       | q          |
|                                    |                      | [in.] | [in.]                 | [in.]              | [in.]           | [in.]         | [in.]                    | [lbs.]                         | [lbs./ft.] |
|                                    |                      | [mm]  | [mm]                  | [mm]               | [mm]            | [mm]          | [mm]                     | [N]                            | [kg/m]     |
| <b>Chains with standard roller</b> |                      |       |                       |                    |                 |               |                          |                                |            |
| <b>C2040SS</b>                     | <b>KAZ C2040 SS</b>  | 1,000 | 0,312                 | 0,312              | 0,156           | 0,650         | 0,472                    | 1 940                          | 0,34       |
|                                    |                      | 25,40 | 7,92                  | 7,92               | 3,96            | 16,50         | 12,00                    | 8 630                          | 0,51       |
| <b>C2050SS</b>                     | <b>KAZ C2050 SS</b>  | 1,250 | 0,375                 | 0,400              | 0,200           | 0,812         | 0,591                    | 3 450                          | 0,56       |
|                                    |                      | 31,75 | 9,52                  | 10,16              | 5,08            | 20,60         | 15,00                    | 15 350                         | 0,83       |
| <b>C2060HSS</b>                    | <b>KAZ C2060H SS</b> | 1,500 | 0,500                 | 0,875              | 0,234           | 1,150         | 0,709                    | 7 000                          | 1,01       |
|                                    |                      | 38,10 | 12,70                 | 22,23              | 5,94            | 29,20         | 18,00                    | 31 100                         | 1,50       |
| <b>C2080HSS</b>                    | <b>KAZ C2080H SS</b> | 2,000 | 0,622                 | 1,125              | 0,312           | 1,440         | 0,906                    | 12 500                         | 1,62       |
|                                    |                      | 50,80 | 15,80                 | 28,58              | 7,92            | 36,60         | 23,00                    | 55 600                         | 2,41       |
| <b>Chains with enlarged roller</b> |                      |       |                       |                    |                 |               |                          |                                |            |
| <b>C2042SS</b>                     | <b>KAZ C2042 SS</b>  | 1,000 | 0,312                 | 0,625              | 0,156           | 0,650         | 0,472                    | 1 940                          | 0,58       |
|                                    |                      | 25,40 | 7,92                  | 15,88              | 3,96            | 16,50         | 12,00                    | 8 630                          | 0,86       |
| <b>C2052SS</b>                     | <b>KAZ C2052 SS</b>  | 1,250 | 0,375                 | 0,750              | 0,200           | 0,812         | 0,591                    | 3 450                          | 0,87       |
|                                    |                      | 31,75 | 9,52                  | 19,05              | 5,08            | 20,60         | 15,00                    | 15 350                         | 1,30       |
| <b>C2062HSS</b>                    | <b>KAZ C2062H SS</b> | 1,500 | 0,500                 | 0,875              | 0,234           | 1,150         | 0,709                    | 7 000                          | 1,49       |
|                                    |                      | 38,10 | 12,70                 | 22,23              | 5,94            | 29,20         | 18,00                    | 31 100                         | 2,22       |
| <b>C2082HSS</b>                    | <b>KAZ C2082H SS</b> | 2,000 | 0,622                 | 1,125              | 0,312           | 1,440         | 0,906                    | 12 500                         | 2,39       |
|                                    |                      | 50,80 | 15,80                 | 28,58              | 7,92            | 36,60         | 23,00                    | 55 600                         | 3,56       |





# **SELF LUBE BUSH CHAINS**

**Selbstschmierende buchsenketten  
Łańcuch z tulejkami samosmarnymi**





## SELF LUBE BUSH CHAINS

Selbstschmierende buchsenketten  
Łańcuch z tulejkami samosmarnymi

### Contents

### Page

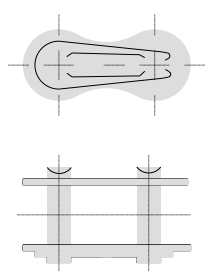
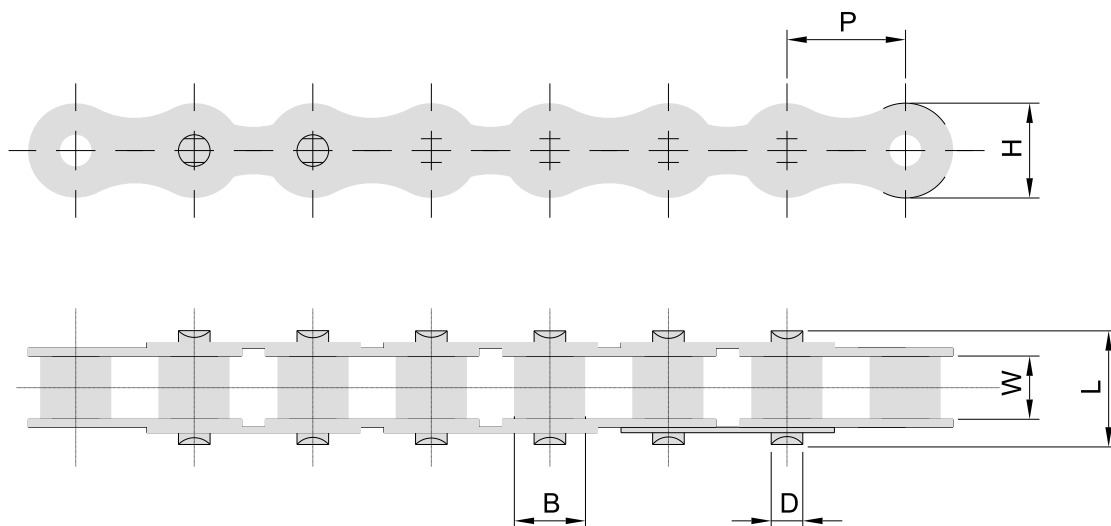
|   |       |
|---|-------|
| Self lube bush pin chains<br>KAZ 40LF - KAZ 100LF         | I - 1 |
| Self lube bush pin chains<br>KAZ 40 SLICK - KAZ 140 SLICK | I - 2 |

# SELF LUBE BUSH PIN CHAINS

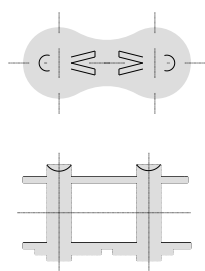
SELBSTSCHMIERENDE BUCHSENKETTEN

ŁAŃCZYCHY Z TULEJKAMI SAMOSMARNYMI

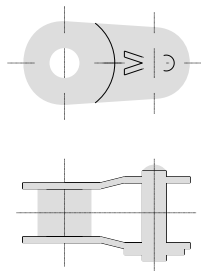
SELF LUBE BUSH CHAINS  
SELBSTSCHMIERENDE BUCHSENKETTEN  
ŁAŃCZYCHY Z TULEJKAMI SAMOSMARNYMI



SCCL



CPCL



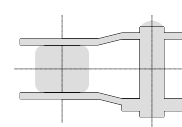
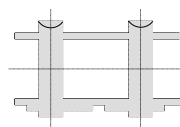
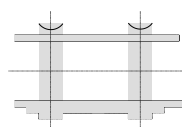
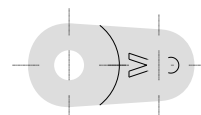
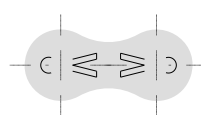
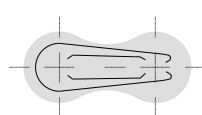
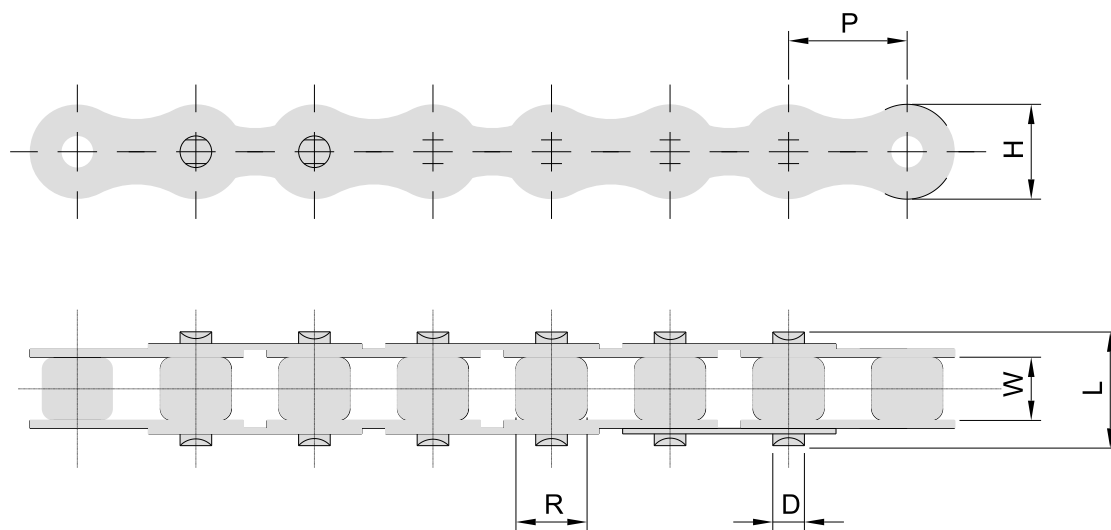
OL

| Model            | Pitch<br>P | Working<br>dimensions<br>W min | Roller<br>dia. / Ø<br>B max | Pin<br>dia. / Ø<br>D max | Pin<br>length<br>L | Height of<br>plate links<br>H max | Average<br>tensile<br>strength | Weight<br>q |
|------------------|------------|--------------------------------|-----------------------------|--------------------------|--------------------|-----------------------------------|--------------------------------|-------------|
|                  | [in.]      | [in.]                          | [in.]                       | [in.]                    | [in.]              | [in.]                             | [lb.]                          | [lb./ft.]   |
|                  | [mm]       | [mm]                           | [mm]                        | [mm]                     | [mm]               | [mm]                              | [N]                            | [kg/m]      |
| <b>KAZ 40LF</b>  | 0,500      | 0,297                          | 0,312                       | 0,156                    | 0,650              | 0,465                             | 3 560                          | 0,43        |
|                  | 12,70      | 7,55                           | 7,92                        | 3,96                     | 16,50              | 11,80                             | 15 840                         | 0,64        |
| <b>KAZ 50LF</b>  | 0,625      | 0,359                          | 0,400                       | 0,200                    | 0,812              | 0,591                             | 5 620                          | 0,70        |
|                  | 15,88      | 9,12                           | 10,16                       | 5,08                     | 20,60              | 15,00                             | 25 010                         | 1,04        |
| <b>KAZ 60LF</b>  | 0,750      | 0,485                          | 0,469                       | 0,234                    | 1,012              | 0,713                             | 8 000                          | 1,04        |
|                  | 19,05      | 12,32                          | 11,91                       | 5,94                     | 25,70              | 18,10                             | 35 570                         | 1,55        |
| <b>KAZ 80LF</b>  | 1,000      | 0,606                          | 0,625                       | 0,312                    | 1,280              | 0,945                             | 14 000                         | 1,77        |
|                  | 25,40      | 15,39                          | 15,88                       | 7,92                     | 32,50              | 24,00                             | 62 260                         | 2,63        |
| <b>KAZ 100LF</b> | 1,250      | 0,728                          | 0,750                       | 0,375                    | 1,583              | 1,181                             | 19 000                         | 2,67        |
|                  | 31,75      | 18,49                          | 19,05                       | 9,52                     | 40,20              | 30,00                             | 84 500                         | 3,97        |



# SELF LUBE BUSH PIN CHAINS

SELBSTSCHMIERENDE BUSHSENKETTEN  
 ŁAŃCUCHY Z TULEJKAMI SAMOSMARNYMI



SCCL

CPCL

OL

| Model                | Pitch<br>P     | Working<br>dimensions<br>W min | Roller<br>dia. / Ø<br>R max | Pin<br>dia. / Ø<br>D max | Pin<br>length<br>L | Height of<br>plate links<br>H max | Average<br>tensile<br>strength | Weight<br>q  |
|----------------------|----------------|--------------------------------|-----------------------------|--------------------------|--------------------|-----------------------------------|--------------------------------|--------------|
|                      | [in.]          | [in.]                          | [in.]                       | [in.]                    | [in.]              | [in.]                             | [lb.]                          | [lb./ft.]    |
|                      | [mm]           | [mm]                           | [mm]                        | [mm]                     | [mm]               | [mm]                              | [N]                            | [kg/m]       |
| <b>KAZ 40 SLICK</b>  | 0,500<br>12,70 | 0,297<br>7,55                  | 0,312<br>7,92               | 0,156<br>3,96            | 0,688<br>17,50     | 0,465<br>11,80                    | 4 640<br>20 650                | 0,47<br>0,70 |
| <b>KAZ 50 SLICK</b>  | 0,625<br>15,88 | 0,365<br>9,27                  | 0,400<br>10,16              | 0,200<br>5,08            | 0,846<br>21,50     | 0,591<br>15,00                    | 7 610<br>33 860                | 0,74<br>1,10 |
| <b>KAZ 60 SLICK</b>  | 0,750<br>19,05 | 0,483<br>12,27                 | 0,469<br>11,91              | 0,234<br>5,94            | 1,083<br>27,50     | 0,713<br>18,10                    | 10 700<br>47 580               | 1,15<br>1,71 |
| <b>KAZ 80 SLICK</b>  | 1,000<br>25,40 | 0,609<br>15,47                 | 0,625<br>15,88              | 0,312<br>7,92            | 1,350<br>34,30     | 0,945<br>24,00                    | 19 000<br>84 500               | 1,87<br>2,78 |
| <b>KAZ 100 SLICK</b> | 1,250<br>31,75 | 0,736<br>18,70                 | 0,750<br>19,05              | 0,375<br>9,52            | 1,626<br>41,30     | 1,181<br>30,00                    | 28 600<br>127 180              | 2,89<br>4,30 |
| <b>KAZ 120 SLICK</b> | 1,500<br>38,10 | 0,974<br>24,75                 | 0,875<br>22,23              | 0,437<br>11,10           | 2,028<br>51,50     | 1,421<br>36,10                    | 40 500<br>180 100              | 4,31<br>6,41 |
| <b>KAZ 140 SLICK</b> | 1,750<br>44,45 | 0,974<br>24,75                 | 1,000<br>25,40              | 0,500<br>12,70           | 2,182<br>55,40     | 1,421<br>36,10                    | 52 380<br>233 000              | 5,46<br>8,12 |



# HOLLOW PIN CHAINS

Hohlbolzenkette  
Łańcuchy ze sworzniami rurkowymi



## HOLLOW PIN CHAINS

Hohlbolzenkette  
Łańcuchy ze sworzniami rurkowymi

### Contents

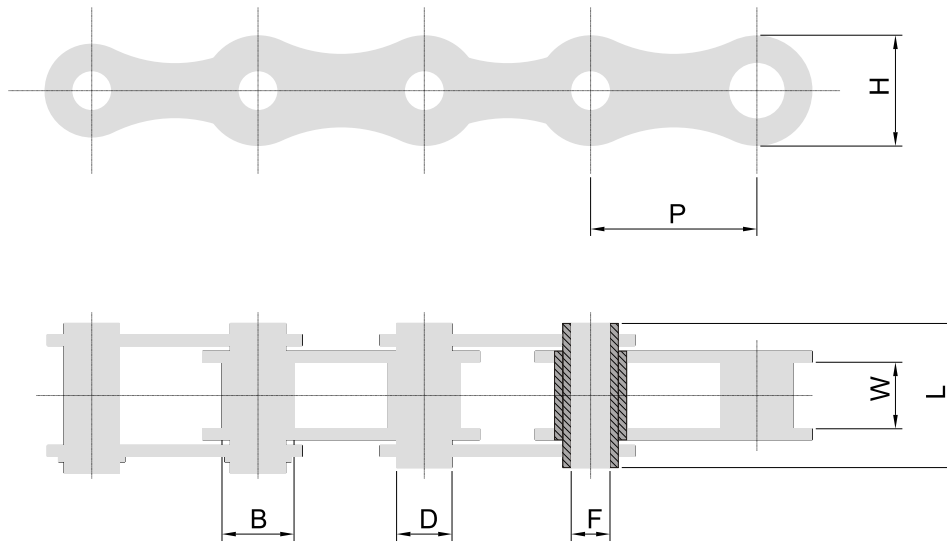
### Page

|  |       |
|--|-------|
| Hollow pin chains<br>KAZ 40HP - KAZ 80HP   | J - 1 |
| Double pitch hollow pin chains<br>KAZ C2040HP - KAZ C2080HP<br>KAZ C2042HP - KAZ C2082HP | J - 2 |

# HOLLOW PIN CHAINS

HOHLBOLZENKETTEN

ŁAŃCUCHY ZE SWORZNIAMI RURKOWYMI



| Chain No.<br>ANSI | Model            | Pitch | Working<br>dimensions | Bush<br>dia. / Ø | Pin<br>dia. / Ø | Pin<br>length | Height of<br>plate links | Pin hole<br>dia. / Ø | Average<br>tensile<br>strength | Weight    |
|-------------------|------------------|-------|-----------------------|------------------|-----------------|---------------|--------------------------|----------------------|--------------------------------|-----------|
|                   |                  | P     | W min                 | B max            | D max           | L             | H max                    | F                    | strength                       | q         |
|                   |                  | [in.] | [in.]                 | [in.]            | [in.]           | [in.]         | [in.]                    | [in.]                | [lb.]                          | [lb./ft.] |
|                   |                  | [mm]  | [mm]                  | [mm]             | [mm]            | [mm]          | [mm]                     | [mm]                 | [N]                            | [kg/m]    |
| <b>40HP</b>       | <b>KAZ 40 HP</b> | 0,500 | 0,312                 | 0,312            | 0,224           | 0,630         | 0,465                    | 0,157                | 2 620                          | 0,36      |
|                   |                  | 12,70 | 7,92                  | 7,92             | 5,70            | 16,00         | 11,80                    | 3,99                 | 11 660                         | 0,54      |
| <b>50HP</b>       | <b>KAZ 50 HP</b> | 0,625 | 0,375                 | 0,400            | 0,284           | 0,792         | 0,591                    | 0,202                | 4 760                          | 0,58      |
|                   |                  | 15,88 | 9,52                  | 10,16            | 7,21            | 20,10         | 15,00                    | 5,13                 | 21 180                         | 0,86      |
| <b>60HP</b>       | <b>KAZ 60 HP</b> | 0,750 | 0,500                 | 0,469            | 0,330           | 0,991         | 0,713                    | 0,236                | 6 450                          | 0,85      |
|                   |                  | 19,05 | 12,70                 | 11,91            | 8,40            | 25,20         | 18,10                    | 6,00                 | 28 680                         | 1,27      |
| <b>80HP</b>       | <b>KAZ 80 HP</b> | 1,000 | 0,625                 | 0,625            | 0,448           | 1,284         | 0,945                    | 0,316                | 11 700                         | 1,60      |
|                   |                  | 25,40 | 15,88                 | 15,88            | 11,40           | 32,60         | 24,00                    | 8,00                 | 52 000                         | 2,30      |

HOLLOW PIN CHAINS

HOHLBOLZENKETTEN

ŁAŃCUCHY ZE SWORZNIAMI RURKOWYMI

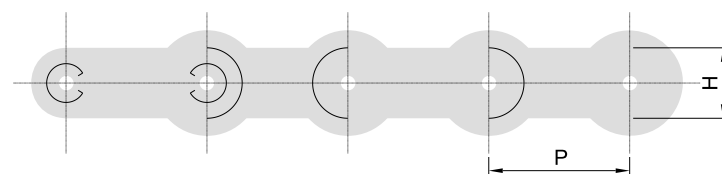
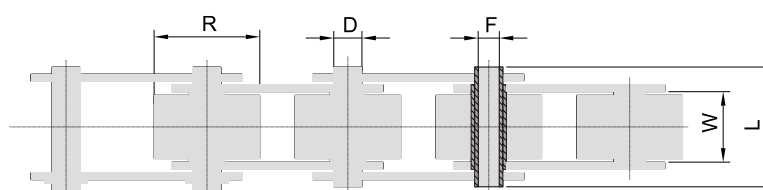
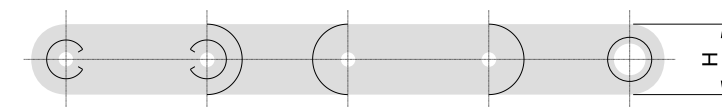
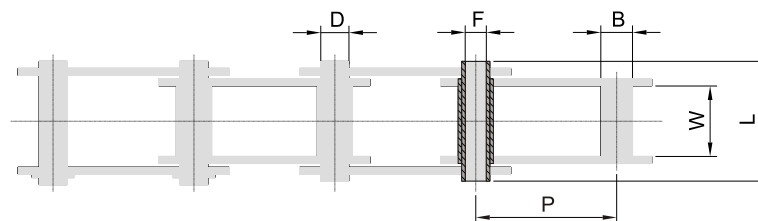




# DOUBLE PITCH HOLLOW PIN CHAINS

LANGGLIEDRIGE HOHLBOLZENKETTEN

ŁAŃCUCHY O PODWÓJNEJ PODZIAŁCE ZE SWORZNIAMI RURKOWYMI

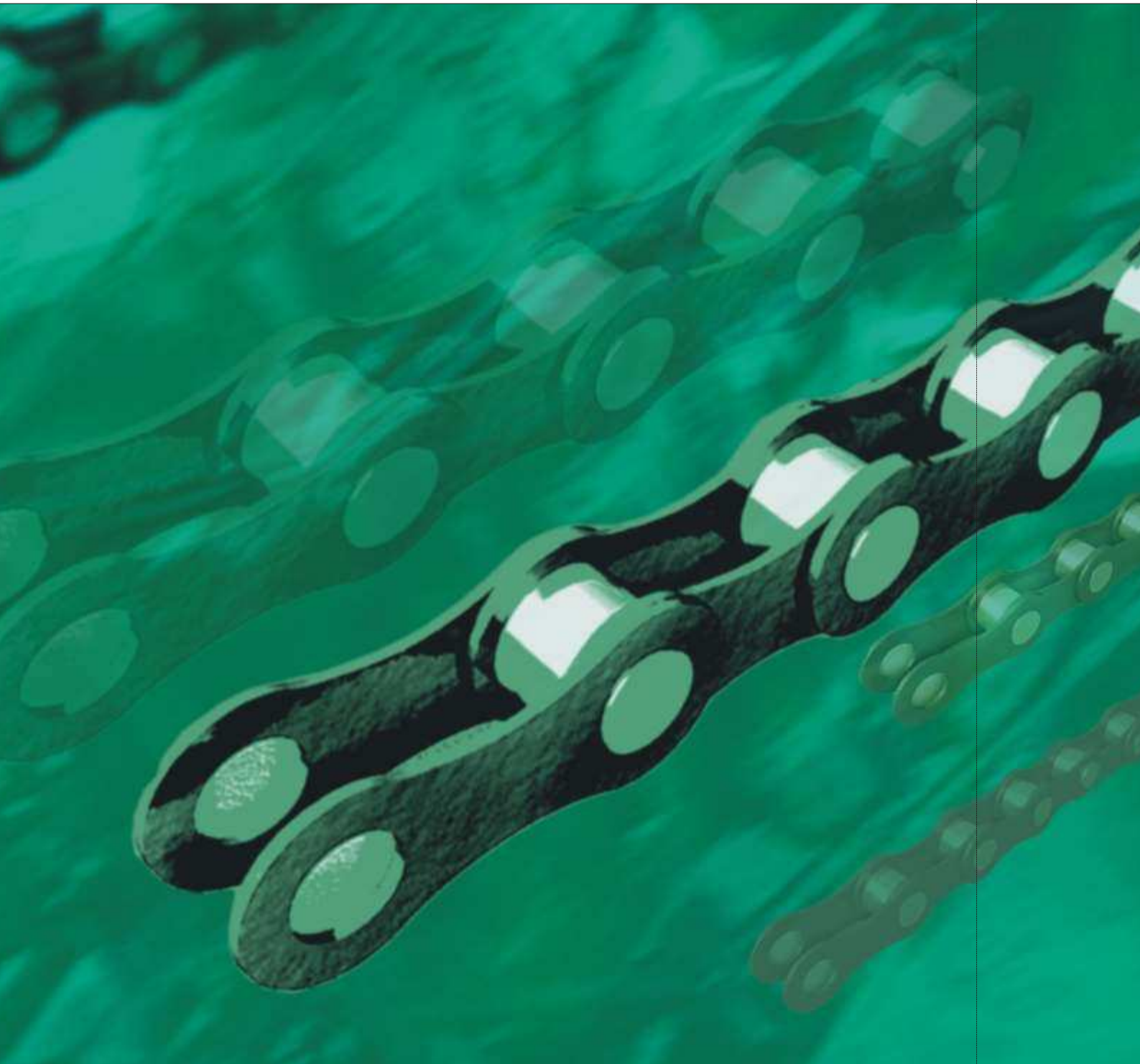


| Chain No.<br>ANSI    | Model              | Pitch | Working<br>dimensions | Bush<br>dia. / Ø | Pin<br>dia. / Ø | Pin<br>length | Height of<br>plate links | Pin hole<br>dia. / Ø | Average<br>tensile<br>strength | Weight    |
|----------------------|--------------------|-------|-----------------------|------------------|-----------------|---------------|--------------------------|----------------------|--------------------------------|-----------|
|                      |                    | P     | W min                 | B/R max          | D max           | L             | H max                    | F                    | strength                       | q         |
|                      |                    | [in.] | [in.]                 | [in.]            | [in.]           | [in.]         | [in.]                    | [in.]                | [lb.]                          | [lb./ft.] |
|                      |                    | [mm]  | [mm]                  | [mm]             | [mm]            | [mm]          | [mm]                     | [mm]                 | [N]                            | [kg/m]    |
| <b>Bush chains</b>   |                    |       |                       |                  |                 |               |                          |                      |                                |           |
| <b>C2040HP</b>       | <b>KAZ C2040HP</b> | 1,000 | 0,312                 | 0,312            | 0,224           | 0,630         | 0,472                    | 0,157                | 2 620                          | 0,31      |
|                      |                    | 25,40 | 7,92                  | 7,92             | 5,70            | 16,00         | 12,00                    | 3,99                 | 11 660                         | 0,46      |
| <b>C2050HP</b>       | <b>KAZ C2050HP</b> | 1,250 | 0,375                 | 0,400            | 0,284           | 0,792         | 0,591                    | 0,202                | 4 760                          | 0,5       |
|                      |                    | 31,75 | 9,52                  | 10,16            | 7,21            | 20,10         | 15,00                    | 5,13                 | 21 180                         | 0,75      |
| <b>C2060HP</b>       | <b>KAZ C2060HP</b> | 1,500 | 0,500                 | 0,469            | 0,330           | 0,992         | 0,677                    | 0,236                | 6 500                          | 0,93      |
|                      |                    | 38,10 | 12,70                 | 11,91            | 8,40            | 25,20         | 17,20                    | 6,00                 | 28 900                         | 1,38      |
| <b>C2080HP</b>       | <b>KAZ C2080HP</b> | 2,000 | 0,625                 | 0,625            | 0,448           | 1,284         | 0,906                    | 0,316                | 12 000                         | 1,21      |
|                      |                    | 50,80 | 15,88                 | 15,88            | 11,40           | 32,60         | 23,00                    | 8,00                 | 53 350                         | 1,80      |
| <b>Roller chains</b> |                    |       |                       |                  |                 |               |                          |                      |                                |           |
| <b>C2042HP</b>       | <b>KAZ C2042HP</b> | 1,000 | 0,312                 | 0,625            | 0,224           | 0,630         | 0,472                    | 0,157                | 2 620                          | 0,31      |
|                      |                    | 25,40 | 7,92                  | 15,88            | 5,70            | 16,00         | 12,00                    | 3,99                 | 11 660                         | 0,46      |
| <b>C2052HP</b>       | <b>KAZ C2052HP</b> | 1,250 | 0,375                 | 0,750            | 0,284           | 0,792         | 0,591                    | 0,202                | 4 760                          | 0,5       |
|                      |                    | 31,75 | 9,52                  | 19,05            | 7,21            | 20,10         | 15,00                    | 5,13                 | 21 180                         | 0,75      |
| <b>C2062HP</b>       | <b>KAZ C2062HP</b> | 1,500 | 0,500                 | 0,875            | 0,330           | 0,992         | 0,677                    | 0,236                | 6 500                          | 1,38      |
|                      |                    | 38,10 | 12,70                 | 22,23            | 8,40            | 25,20         | 17,20                    | 6,00                 | 28 900                         | 2,05      |
| <b>C2082HP</b>       | <b>KAZ C2082HP</b> | 2,000 | 0,625                 | 1,125            | 0,448           | 1,284         | 0,906                    | 0,316                | 12 000                         | 1,89      |
|                      |                    | 50,80 | 15,88                 | 28,58            | 11,40           | 32,60         | 23,00                    | 8,00                 | 53 350                         | 2,81      |

# SPECIAL CHAINS

Spezialketten  
Łańcuchy specjalne

# K



## SPECIAL CHAINS

Spezialketten  
Łańcuchy specjalne

### Contents

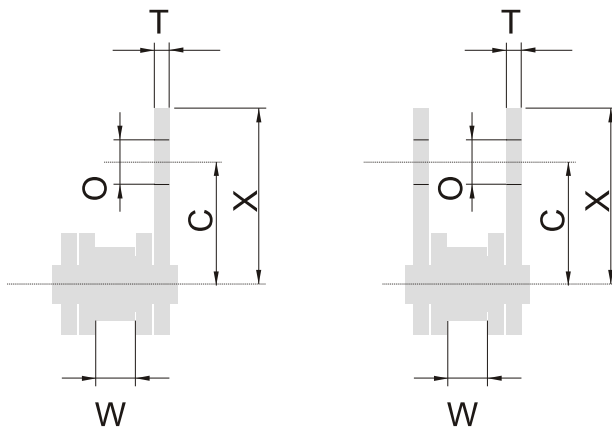
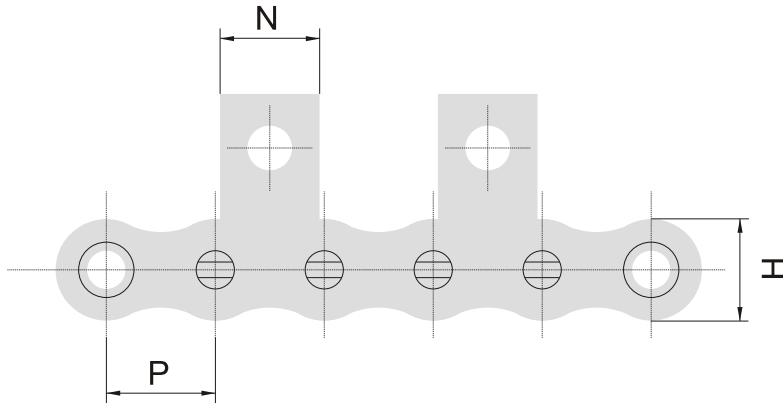
### Page

|   |                  |
|---|------------------|
| Roller chains with special straight plate | K - 1 to K - 7   |
| Roller chains with special bend plate     | K - 8 to K - 12  |
| Roller chains with lengthen pins          | K - 13 to K - 15 |
| Special chains with "U" elements          | K - 16 to K - 18 |
| Special chains                            | K - 19 to K - 25 |
| Transport chains                          | K - 26 to K - 31 |
| Special chains with driver                | K - 32 to K - 33 |
| Special chains to tubular key             | K - 34           |
| Agricultural chains                       | K - 35           |
| Bush chains                               | K - 36           |

# ROLLER CHAINS WITH SPECIAL STRAIGHT PLATE

ROLLENKETTEN MIT SCHARFEN SPEZIALEINFACHLASCHEN

ŁAŃCUCHY ROLKOWE Z PŁYTKAMI SPECJALNYMI PROSTYMI



**A**

**DA**

| Dimensions<br>P x W | Model              | Pitch<br>P | Working<br>dimensions<br>W min | Roller<br>dia. / Ø<br>R max | Pin<br>dia. / Ø<br>D max | Height of<br>plate links |      |      |      |      | Tensile<br>strength<br>F <sub>B</sub> |       |
|---------------------|--------------------|------------|--------------------------------|-----------------------------|--------------------------|--------------------------|------|------|------|------|---------------------------------------|-------|
|                     |                    |            |                                |                             |                          | H max                    | T    | O    | C    | X    |                                       | N     |
| [in.]               |                    | [mm]       | [mm]                           | [mm]                        | [mm]                     | [mm]                     | [mm] | [mm] | [mm] | [mm] | [mm]                                  | [N]   |
| 3/8"x7/32"          | <b>KAZ 06 B/A1</b> | 9,525      | 5,72                           | 6,35                        | 3,28                     | 8,25                     | 1,2  | 3,2  | 10,0 | 14,5 | 9,0                                   | 9100  |
| 1/2"x5/16"          | <b>KAZ 08 B/A1</b> | 12,700     | 7,75                           | 8,51                        | 4,45                     | 10,8                     | 1,3  | 5,2  | 14,2 | 20,6 | 11,6                                  | 18200 |
| 5/8"x3/8"           | <b>KAZ 10 B/A1</b> | 15,875     | 9,65                           | 10,16                       | 5,08                     | 13,0                     | 1,45 | 5,3  | 17,0 | 26,8 | 15,0                                  | 22700 |
| 5/8"x3/8"           | <b>KAZ 10 B/A2</b> | 15,875     | 9,65                           | 10,16                       | 5,08                     | 13,0                     | 1,45 | 8,5  | 17,0 | 26,8 | 15,0                                  | 22700 |
| 5/8"x3/8"           | <b>KAZ 10 B/A3</b> | 15,875     | 9,65                           | 10,16                       | 5,08                     | 14,2                     | 1,6  | 5,2  | 16,1 | 23,9 | 14,1                                  | 22700 |
| 3/4"x7/16"          | <b>KAZ 12 B/A1</b> | 13,050     | 11,68                          | 12,07                       | 5,72                     | 16,13                    | 1,8  | 6,2  | 18,2 | 26   | 18                                    | 29500 |
| 1"x17,02mm          | <b>KAZ 16 B/A1</b> | 25,400     | 17,02                          | 15,88                       | 8,28                     | 21,0                     | 3,1  | 8,2  | 25,5 | 36,7 | 36                                    | 58000 |

SPECIAL CHAINS  
SPEZIALKETTEN  
ŁAŃCUCHY SPECJALNE

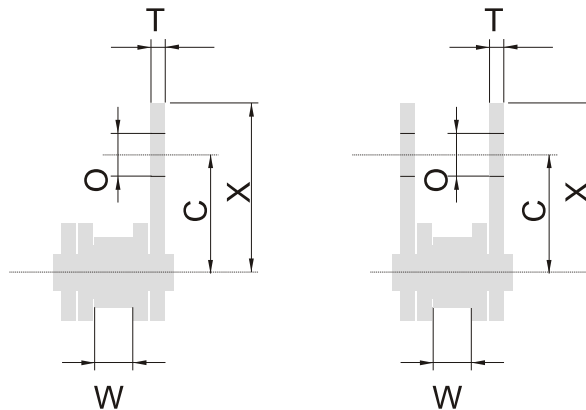
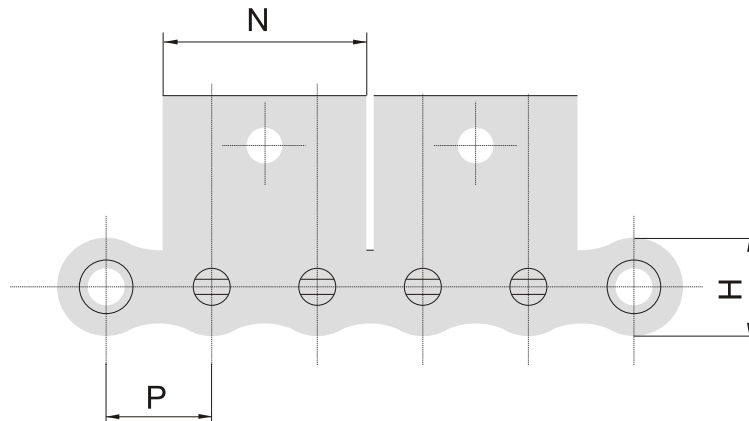


# ROLLER CHAINS WITH SPECIAL STRAIGHT PLATE

ROLLENKETTEN MIT SCHARFEN SPEZIALEINFACHLASCHEN

ŁAŃCUCHY ROLKOWE Z PŁYTKAMI SPECJALNYMI PROSTYMI

SPECIAL CHAINS  
SPEZIALKETTEN  
ŁAŃCUCHY SPECJALNE



**B**

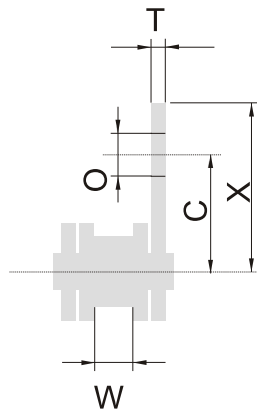
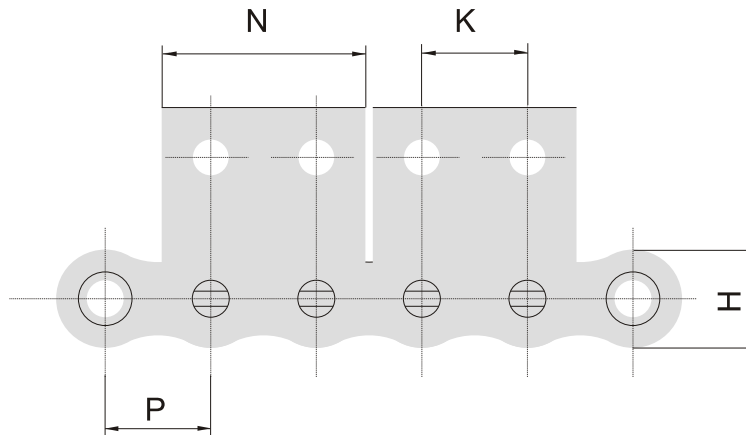
**DB**

| Dimensions     | Model              | Pitch     | Working dimensions | Roller dia. / Ø | Pin dia. / Ø  | Height of plate links |           |           |           |           |           | Tensile strength      |
|----------------|--------------------|-----------|--------------------|-----------------|---------------|-----------------------|-----------|-----------|-----------|-----------|-----------|-----------------------|
| P x W<br>[in.] |                    | P<br>[mm] | W min<br>[mm]      | R max<br>[mm]   | D max<br>[mm] | H max<br>[mm]         | T<br>[mm] | O<br>[mm] | C<br>[mm] | X<br>[mm] | N<br>[mm] | F <sub>B</sub><br>[N] |
| 3/8"x7/32"     | <b>KAZ 06 B/B1</b> | 9,525     | 5,72               | 6,35            | 3,28          | 8,25                  | 1,2       | 3,2       | 9,0       | 13,0      | 17,8      | 9100                  |
| 1/2"x5/16"     | <b>KAZ 08 B/B1</b> | 12,700    | 7,75               | 8,51            | 4,45          | 10,8                  | 1,3       | 4,3       | 17,0      | 23,0      | 23,5      | 18200                 |
| 5/8"x3/8"      | <b>KAZ 10 B/B1</b> | 15,875    | 9,65               | 10,16           | 5,08          | 13,0                  | 1,45      | 8,5       | 16,5      | 25,5      | 28,9      | 22700                 |
| 5/8"x3/8"      | <b>KAZ 10 B/B2</b> | 15,875    | 9,65               | 10,16           | 5,08          | 14,2                  | 1,6       | 5,2       | 15,9      | 20,6      | 28,4      | 22700                 |
| 3/4"x7/16"     | <b>KAZ 12 B/B1</b> | 19,05     | 11,68              | 12,07           | 5,72          | 16,13                 | 1,8       | 5,6       | 17,8      | 25,9      | 34,9      | 29500                 |
| 1"x17,02mm     | <b>KAZ 16 B/B1</b> | 25,4      | 17,02              | 15,88           | 8,28          | 21,0                  | 3,1       | 9,0       | 25,5      | 37,6      | 49,0      | 58000                 |

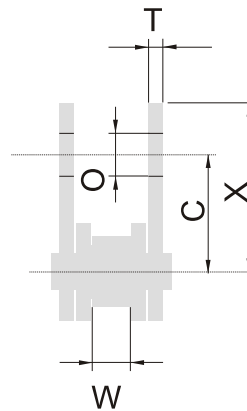
# ROLLER CHAINS WITH SPECIAL STRAIGHT PLATE

ROLLENKETTEN MIT SCHARFEN SPEZIALEINFACHLASCHEN

ŁAŃCUCHY ROLKOWE Z PŁYTKAMI SPECJALNYMI PROSTYMI



**C**



**DC**

| Dimensins<br>P x W<br>[in.] | Model              | Pitch<br>P<br>[mm] | Working<br>dimensions |               | Roller<br>dia. / Ø<br>[mm] | Pin<br>dia. / Ø<br>[mm] | Height of<br>plate links |               |           | C<br>[mm] | X<br>[mm] | N<br>[mm] | Tensile<br>strength<br>F <sub>B</sub><br>[N] |
|-----------------------------|--------------------|--------------------|-----------------------|---------------|----------------------------|-------------------------|--------------------------|---------------|-----------|-----------|-----------|-----------|--|
|                             |                    |                    | W min<br>[mm]         | R max<br>[mm] |                            |                         | D max<br>[mm]            | H max<br>[mm] | T<br>[mm] |           |           |           |  |
| 3/8"x7/32"                  | <b>KAZ 06 B/C1</b> | 9,525              | 5,72                  | 6,35          | 3,28                       | 8,25                    | 1,2                      | 3,2           | 9,5       | 9,0       | 13,0      | 17,8      | 9100   |
| 1/2"x5/16"                  | <b>KAZ 08 B/C1</b> | 12,700             | 7,75                  | 8,51          | 4,45                       | 10,80                   | 1,45                     | 4,3           | 12,7      | 17,0      | 23,0      | 23,5      | 18200  |
| 1/2"x5/16"                  | <b>KAZ 08 B/C2</b> | 12,700             | 7,75                  | 8,51          | 4,45                       | 10,80                   | 1,45                     | 5,2           | 12,7      | 17,0      | 23,0      | 23,5      | 18200  |
| 5/8"x3/8"                   | <b>KAZ 10 B/C1</b> | 15,875             | 9,65                  | 10,16         | 5,08                       | 13,00                   | 1,45                     | 5,3           | 15,8      | 16,5      | 25,5      | 28,9      | 22700  |
| 5/8"x3/8"                   | <b>KAZ 10 B/C2</b> | 15,875             | 9,65                  | 10,16         | 5,08                       | 13,00                   | 1,45                     | 4,2           | 15,8      | 16,5      | 25,5      | 28,9      | 22700  |
| 5/8"x3/8"                   | <b>KAZ 10 B/C3</b> | 15,875             | 9,65                  | 10,16         | 5,08                       | 14,20                   | 1,6                      | 5,2           | 15,8      | 15,9      | 20,6      | 28,4      | 22700  |
| 3/4"x7/16"                  | <b>KAZ 12 B/C1</b> | 19,050             | 11,68                 | 12,07         | 5,72                       | 16,13                   | 1,8                      | 5,6           | 19,0      | 17,8      | 25,9      | 34,9      | 29500  |
| 1"x17,02mm                  | <b>KAZ 16 B/C1</b> | 25,400             | 17,02                 | 15,88         | 8,28                       | 21,00                   | 3,1                      | 9,0           | 25,4      | 25,5      | 37,6      | 49,0      | 58000  |

SPECIAL CHAINS

SPEZIALKETTEN

ŁAŃCUCHY SPECJALNE

A

B

C

D

E

F

G

H

I

J

**K**

L

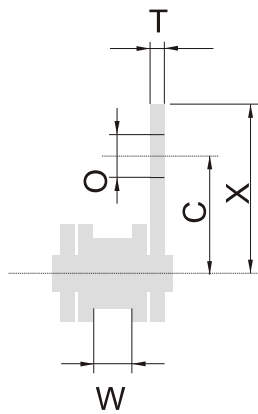
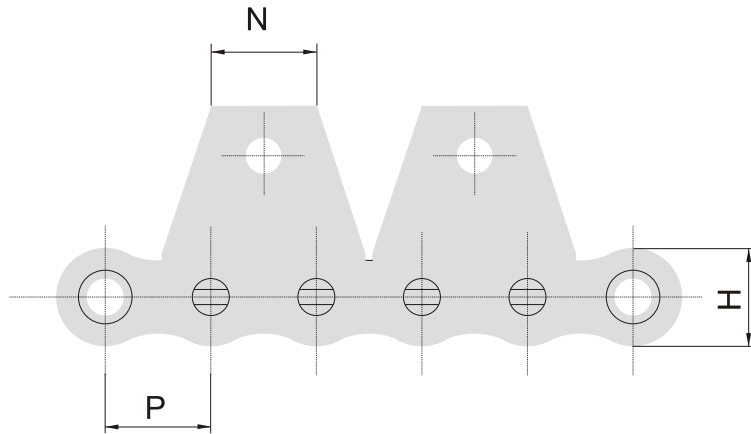
M



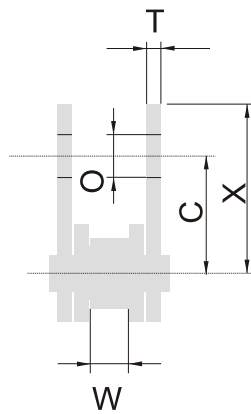
# ROLLER CHAINS WITH SPECIAL STRAIGHT PLATE

ROLLENKETTEN MIT SCHARFEN SPEZIALEINFACHLASCHEN  
 ŁAŃCUCHY ROLKOWE Z PŁYTKAMI SPECJALNYMI PROSTYMI

SPECIAL CHAINS  
 SPEZIALKETTEN  
 ŁAŃCUCHY SPECJALNE



**M**



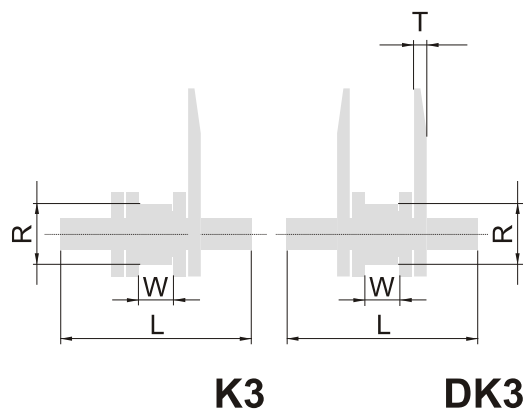
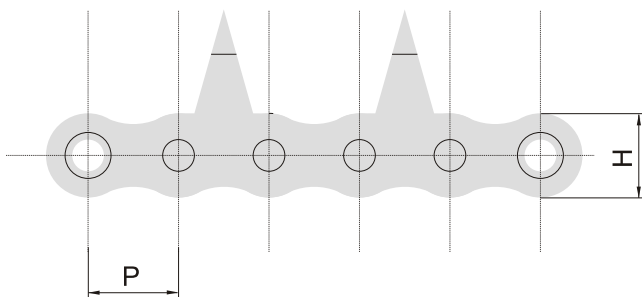
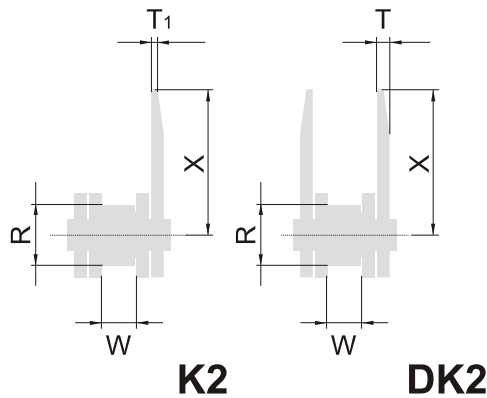
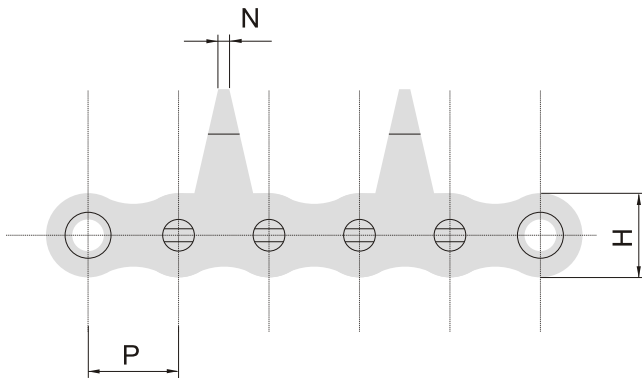
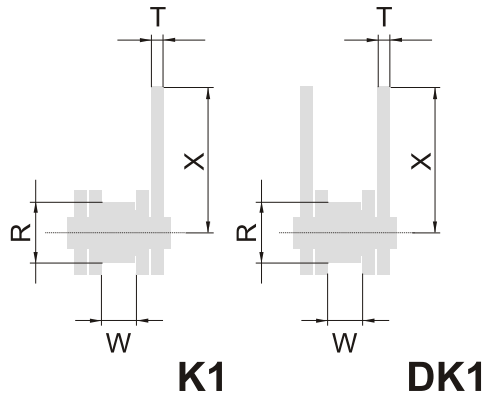
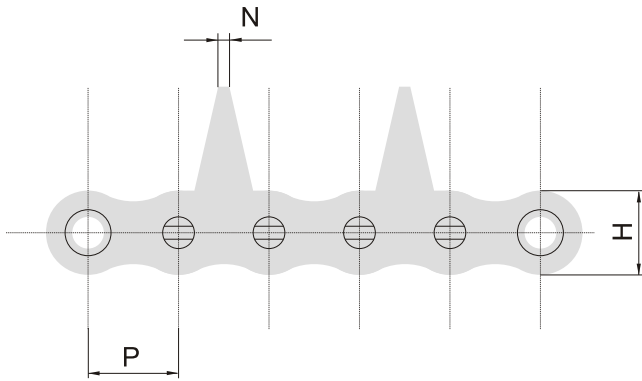
**DM**

| Dimensions | Model              | Pitch  | Working dimensions | Roller dia. / Ø | Pin dia. / Ø | Height of plate links | T    | O    | C    | X    | N    | Tensile strength |
|------------|--------------------|--------|--------------------|-----------------|--------------|-----------------------|------|------|------|------|------|------------------|
| P x W      |                    | P      | W min              | R max           | D max        | H max                 |      |      |      |      |      | F <sub>B</sub>   |
| [in.]      |                    | [mm]   | [mm]               | [mm]            | [mm]         | [mm]                  | [mm] | [mm] | [mm] | [mm] | [mm] | [N]              |
| 1/2"x5/16" | <b>KAZ 08 B/M1</b> | 12,700 | 7,75               | 8,51            | 4,45         | 10,8                  | 1,3  | 5,7  | 12,3 | 20,8 | 13,5 | 18200            |

# ROLLER CHAINS WITH SPECIAL STRAIGHT AND SHARP PLATE

ROLLENKETTEN MIT SCHARFEN SPEZIALEINFACHLASCHEN

ŁAŃCUCHY ROLKOWE Z PŁYTKAMI SPECJALNYMI PROSTYMI-OSTRYMI



| Dimensions     | Model              | Pitch     | Working dimensions | Roller dia. / Ø | Pin dia. / Ø  | Height of plate links |           |           |            |           |           | Tensile strength      |
|----------------|--------------------|-----------|--------------------|-----------------|---------------|-----------------------|-----------|-----------|------------|-----------|-----------|-----------------------|
| P x W<br>[in.] |                    | P<br>[mm] | W min<br>[mm]      | R max<br>[mm]   | D max<br>[mm] | H max<br>[mm]         | T<br>[mm] | L<br>[mm] | T1<br>[mm] | X<br>[mm] | N<br>[mm] | F <sub>B</sub><br>[N] |
| 1/2"x5/16"     | <b>KAZ 08 B/K1</b> | 12,700    | 7,75               | 8,51            | 4,45          | 10,80                 | 1,3       | 16,4      | -          | 14,5      | 1,2       | 18200                 |
| 1/2"x5/16"     | <b>KAZ 08 B/K2</b> | 12,700    | 7,75               | 8,51            | 4,45          | 10,80                 | 1,3       | 16,4      | 0,3        | 14,5      | 1,2       | 18200                 |
| 3/4"x7/16"     | <b>KAZ 12 B/K3</b> | 19,05     | 11,68              | 12,07           | 5,71          | 16,13                 | 1,8       | 29,35     | -          | -         | -         | 29500                 |

SPECIAL CHAINS  
SPEZIALKETTEN  
ŁAŃCUCHY SPECJALNE

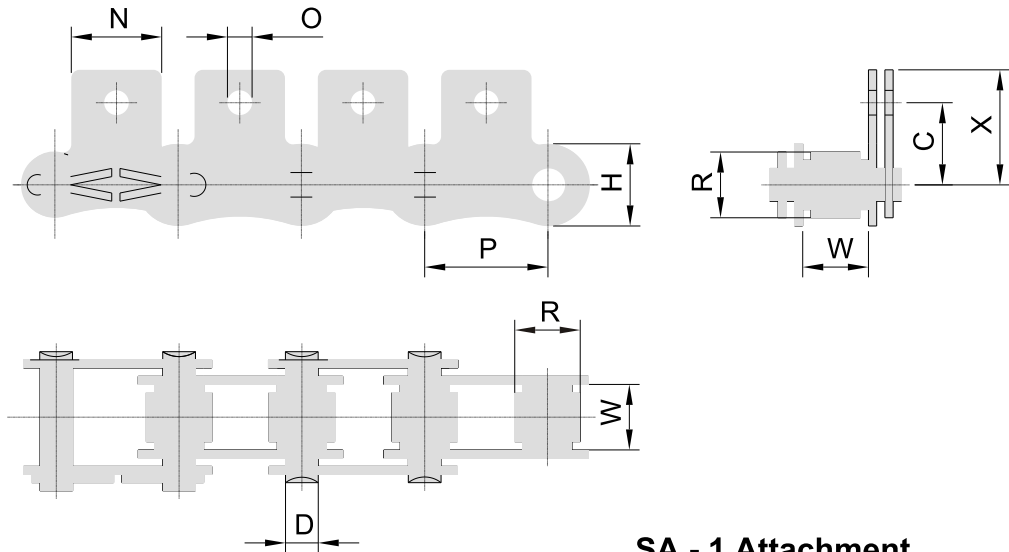


# ROLLER CHAINS WITH SPECIAL STRAIGHT PLATE

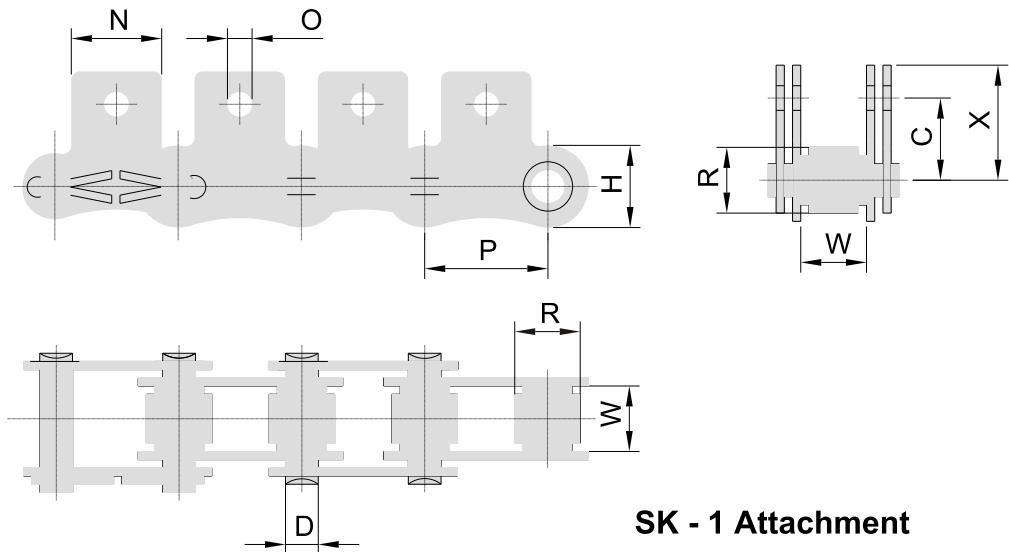
ROLLENKETTEN MIT SCHARFEN SPEZIALEINFACHLASCHEN

ŁAŃCUCHY ROLKOWE Z PŁYTKAMI SPECJALNYMI PROSTYMI

SPECIAL CHAINS  
SPEZIALKETTEN  
ŁAŃCUCHY SPECJALNE



**SA - 1 Attachment**



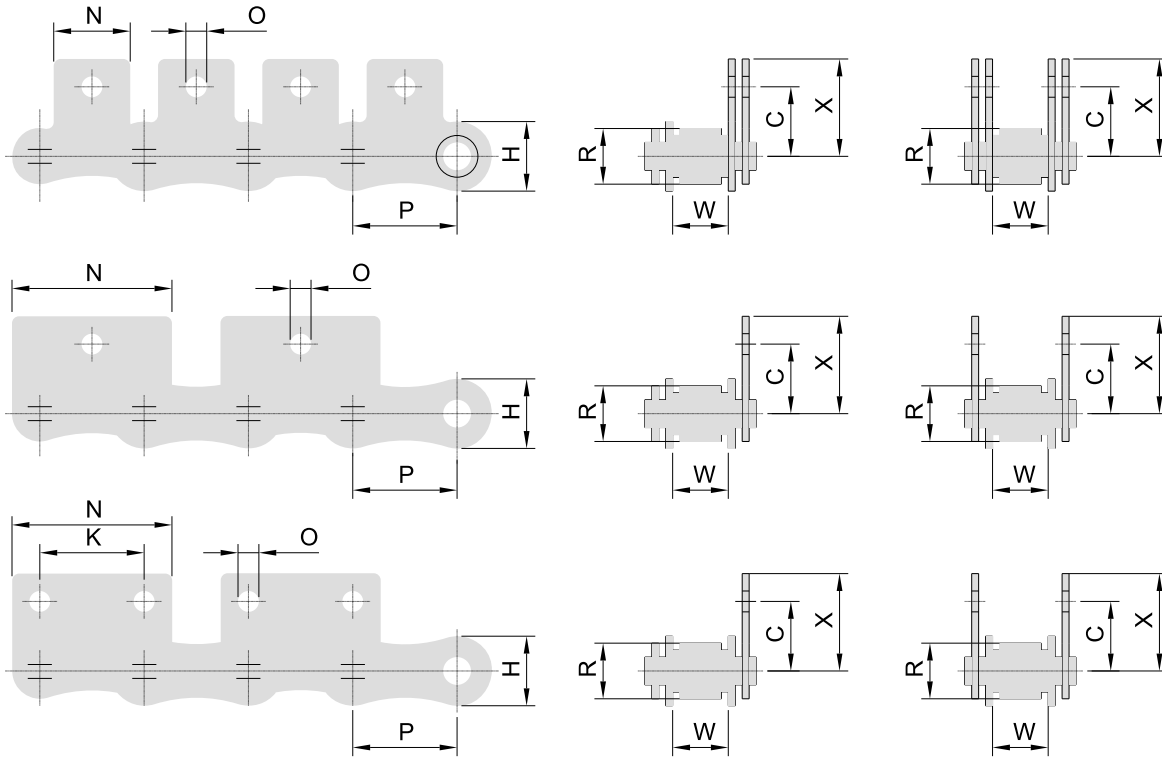
**SK - 1 Attachment**

| Model                  | Pitch<br>P | Working<br>dimensions<br>W min | Roller<br>dia. / Ø<br>R max | Pin<br>dia. / Ø<br>D max | Height of<br>plate links<br>H max | O     | C     | X     | N     | Average<br>tensile<br>strength |
|------------------------|------------|--------------------------------|-----------------------------|--------------------------|-----------------------------------|-------|-------|-------|-------|--------------------------------|
|                        | [in]       | [in]                           | [in]                        | [in]                     | [in]                              | [in]  | [in]  | [in]  | [in]  | [lb]                           |
|                        | [mm]       | [mm]                           | [mm]                        | [mm]                     | [mm]                              | [mm]  | [mm]  | [mm]  | [mm]  | [N]                            |
| <b>KAZ 35SA-1/SK-1</b> | 0,375      | 0,188                          | 0,200                       | 0,141                    | 0,354                             | 0,102 | 0,375 | 0,573 | 0,311 | 2 330                          |
|                        | 9,53       | 4,78                           | 5,06                        | 3,58                     | 9,00                              | 2,60  | 9,60  | 14,60 | 7,90  | 10 370                         |
| <b>KAZ 41SA-1/SK-1</b> | 0,500      | 0,250                          | 0,306                       | 0,141                    | 0,386                             | 0,141 | 0,500 | 0,656 | 0,375 | 2 330                          |
|                        | 12,70      | 6,35                           | 7,77                        | 3,58                     | 9,90                              | 3,60  | 12,70 | 16,70 | 9,60  | 10 370                         |
| <b>KAZ 40SA-1/SK-1</b> | 0,500      | 0,312                          | 0,312                       | 0,156                    | 0,472                             | 0,141 | 0,500 | 0,685 | 0,375 | 4 120                          |
|                        | 12,70      | 7,92                           | 7,92                        | 3,96                     | 12,00                             | 3,60  | 12,70 | 17,40 | 9,60  | 18 330                         |
| <b>KAZ 50SA-1/SK-1</b> | 0,625      | 0,375                          | 0,400                       | 0,200                    | 0,591                             | 0,205 | 0,625 | 0,907 | 0,500 | 6 790                          |
|                        | 15,83      | 9,52                           | 10,16                       | 5,08                     | 15,00                             | 5,20  | 15,90 | 23,00 | 12,70 | 30 210                         |

# ROLLER CHAINS WITH SPECIAL STRAIGHT PLATE

ROLLENKETTEN MIT SCHARFEN SPEZIALEINFACHLASCHEN

ŁAŃCUCHY ROLKOWE Z PŁYTKAMI SPECJALNYMI PROSTYMI



| Model             | Pitch | Working dimensions | Roller dia. / Ø | Pin dia. / Ø | Height of plate links | O     | K     | C     | X     | N     | Tensile strength |
|-------------------|-------|--------------------|-----------------|--------------|-----------------------|-------|-------|-------|-------|-------|------------------|
|                   | P     | W min              | R max           | D max        | H max                 |       |       |       |       |       | FB min.          |
|                   | [in]  | [in]               | [in]            | [in]         | [in]                  | [in]  | [in]  | [in]  | [in]  | [in]  | [lb]             |
|                   | [mm]  | [mm]               | [mm]            | [mm]         | [mm]                  | [mm]  | [mm]  | [mm]  | [mm]  | [mm]  | [N]              |
| <b>KAZ 60/S</b>   | 0,750 | 0,500              | 0,469           | 0,234        | 0,713                 | 0,205 | -     | 0,720 | 1,059 | 0,626 | 7 150            |
|                   | 19,05 | 12,70              | 11,91           | 5,94         | 18,10                 | 5,20  | -     | 18,30 | 26,90 | 15,90 | 31 800           |
| <b>KAZ 60/WS</b>  | 0,750 | 0,500              | 0,469           | 0,234        | 0,713                 | 0,205 | 0,750 | 0,720 | 1,059 | 1,460 | 7 150            |
|                   | 19,05 | 12,70              | 11,91           | 5,94         | 18,10                 | 5,20  | 19,05 | 18,30 | 26,90 | 37,10 | 31 800           |
| <b>KAZ 80/S</b>   | 1,000 | 0,622              | 0,625           | 0,312        | 0,945                 | 0,268 | -     | 0,969 | 1,398 | 0,752 | 12 750           |
|                   | 25,40 | 15,80              | 15,88           | 7,92         | 24,00                 | 6,80  | -     | 24,60 | 35,50 | 19,10 | 56 700           |
| <b>KAZ 80/WS</b>  | 1,000 | 0,622              | 0,625           | 0,312        | 0,945                 | 0,268 | 1,000 | 0,969 | 1,398 | 1,940 | 12 750           |
|                   | 25,40 | 15,80              | 15,88           | 7,92         | 24,00                 | 6,80  | 25,40 | 24,60 | 35,50 | 49,30 | 56 700           |
| <b>KAZ 100/S</b>  | 1,250 | 0,748              | 0,750           | 0,375        | 1,181                 | 0,343 | -     | 1,252 | 1,732 | 1,000 | 19 900           |
|                   | 31,75 | 19,00              | 19,05           | 9,52         | 30,00                 | 8,70  | -     | 31,80 | 44,00 | 25,40 | 88 500           |
| <b>KAZ 100/WS</b> | 1,250 | 0,748              | 0,750           | 0,375        | 1,181                 | 0,343 | 1,250 | 1,252 | 1,732 | 2,410 | 19 900           |
|                   | 31,75 | 19,00              | 19,05           | 9,52         | 30,00                 | 8,70  | 31,75 | 31,80 | 44,00 | 61,20 | 88 500           |
| <b>KAZ 120/S</b>  | 1,500 | 1,000              | 0,875           | 0,437        | 1,421                 | 0,386 | -     | 1,437 | 2,083 | 1,126 | 28 560           |
|                   | 38,10 | 25,40              | 22,23           | 11,10        | 36,10                 | 9,80  | -     | 36,50 | 52,90 | 28,60 | 127 000          |
| <b>KAZ 140/S</b>  | 1,750 | 1,000              | 1,000           | 0,500        | 1,661                 | 0,449 | -     | 1,752 | 2,437 | 1,375 | 38 770           |
|                   | 44,45 | 25,40              | 25,40           | 12,70        | 42,20                 | 11,40 | -     | 44,50 | 61,90 | 34,90 | 172 400          |
| <b>KAZ 160/S</b>  | 2,000 | 1,250              | 1,125           | 0,562        | 1,890                 | 0,516 | -     | 2,000 | 2,752 | 1,500 | 51 000           |
|                   | 50,80 | 31,75              | 28,58           | 14,27        | 48,00                 | 13,10 | -     | 50,80 | 69,90 | 38,10 | 226 800          |

SPECIAL CHAINS

SPEZIALKETTEN

ŁAŃCUCHY SPECJALNE

A

B

C

D

E

F

G

H

I

J

**K**

L

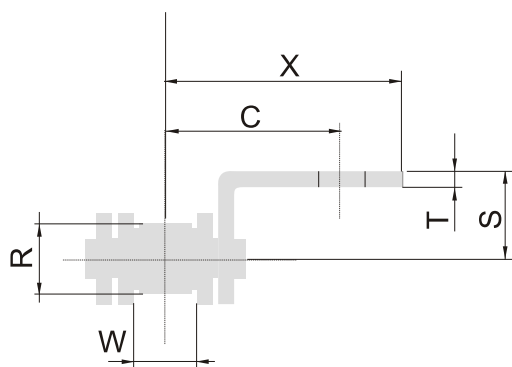
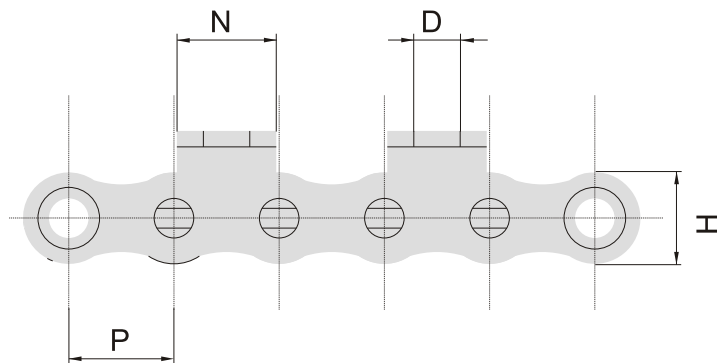
M

# ROLLER CHAINS WITH SPECIAL BEND PLATE

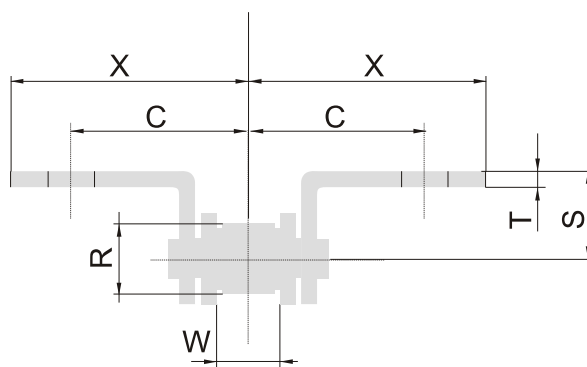
ROLLENKETTEN MIT WINKELLASCHEN

ŁAŃCUCHY ROLKOWE Z PŁYTKAMI SPECJALNYMI WYGIĘTYMI

SPECIAL CHAINS  
SPEZIALKETTEN  
ŁAŃCUCHY SPECJALNE



E



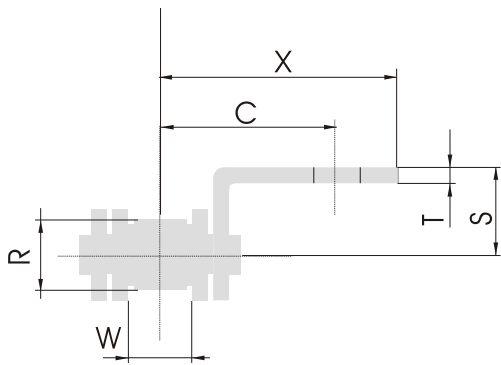
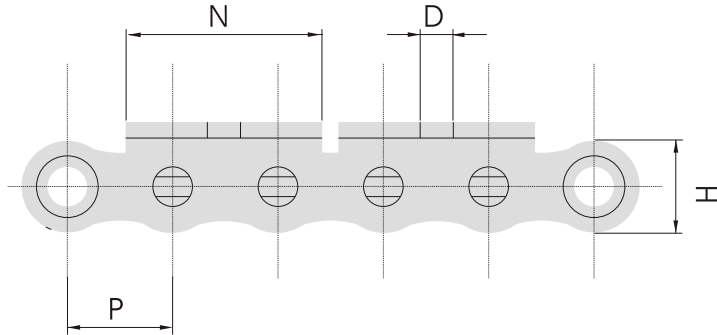
DE

| Dimensins<br>P x W<br>[in.] | Model              | Pitch<br>P<br>[mm] | Working<br>dimensions<br>W min<br>[mm] | Roller<br>dia. / Ø<br>R max<br>[mm] | Pin<br>dia. / Ø<br>D max<br>[mm] | Height of<br>plate links<br>H max<br>[mm] | T<br>[mm] | O<br>[mm] | C<br>[mm] | X<br>[mm] | N<br>[mm] | S<br>[mm] | Tensile<br>strength<br>F <sub>B</sub><br>[N] |
|-----------------------------|--------------------|--------------------|--|-------------------------------------|----------------------------------|---|-----------|-----------|-----------|-----------|-----------|-----------|--|
| 3/8"x7/32"                  | <b>KAZ 06 B/E1</b> | 9,525              | 5,72                                   | 6,35                                | 3,28                             | 8,25                                      | 1,20      | 4,20      | 16,00     | 21,50     | 9,00      | 7,90      | 9100   |
| 1/2"x5/16"                  | <b>KAZ 08 B/E1</b> | 12,700             | 7,75                                   | 8,51                                | 4,45                             | 10,80                                     | 1,30      | 4,30      | 11,90     | 19,60     | 11,60     | 8,90      | 18200  |
| 1/2"x5/16"                  | <b>KAZ 08 B/E2</b> | 12,700             | 7,75                                   | 8,51                                | 4,45                             | 10,80                                     | 1,30      | 4,30      | 14,20     | 19,60     | 11,60     | 8,90      | 18200  |
| 1/2"x5/16"                  | <b>KAZ 08 B/E3</b> | 12,700             | 7,75                                   | 8,51                                | 4,45                             | 10,80                                     | 1,30      | 5,00      | 14,20     | 19,60     | 11,60     | 8,90      | 18200  |
| 5/8"x3/8"                   | <b>KAZ 10 B/E1</b> | 15,875             | 9,65                                   | 10,16                               | 5,08                             | 13,00                                     | 1,45      | 5,30      | 16,60     | 26,30     | 15,00     | 10,00     | 22700  |
| 5/8"x3/8"                   | <b>KAZ 10 B/E2</b> | 15,875             | 9,65                                   | 10,16                               | 5,08                             | 14,20                                     | 1,60      | 5,20      | 15,60     | 23,40     | 14,10     | 10,50     | 22700  |
| 3/4"x7/16"                  | <b>KAZ 12 B/E1</b> | 19,050             | 11,68                                  | 12,07                               | 5,72                             | 16,13                                     | 1,80      | 6,20      | 17,50     | 25,30     | 18,00     | 12,20     | 29500  |
| 1"x17,02mm                  | <b>KAZ 16 B/E1</b> | 25,400             | 17,02                                  | 15,88                               | 8,28                             | 21,00                                     | 3,10      | 8,20      | 25,10     | 36,30     | 36,00     | 19,00     | 58000  |

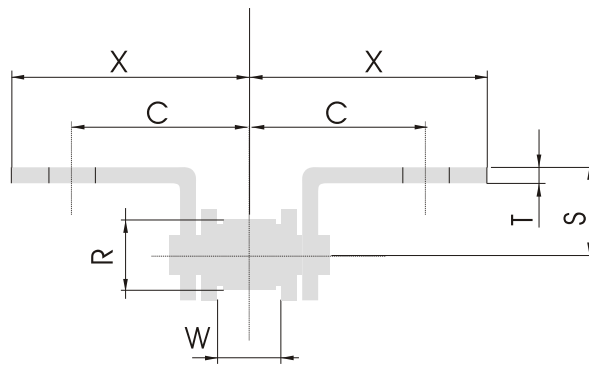
# ROLLER CHAINS WITH SPECIAL BEND PLATE

ROLLENKETTEN MIT WINKELASCHEN

ŁAŃCUCHY ROLKOWE Z PŁYTKAMI SPECJALNYMI WYGIĘTYMI



**N**



**DN**

| Dimensins<br>P x W<br>[in.] | Model              | Pitch<br>P<br>[mm] | Working<br>dimensions<br>W min<br>[mm] | Roller<br>dia. / Ø<br>R max<br>[mm] | Pin<br>dia. / Ø<br>D max<br>[mm] | Height of<br>plate links<br>H max<br>[mm] | T<br>[mm] | O<br>[mm] | C<br>[mm] | X<br>[mm] | N<br>[mm] | S<br>[mm] | Tensile<br>strength<br>F <sub>B</sub><br>[N] |
|-----------------------------|--------------------|--------------------|--|-------------------------------------|----------------------------------|---|-----------|-----------|-----------|-----------|-----------|-----------|--|
| 3/8"x7/32"                  | <b>KAZ 06 B/N1</b> | 9,525              | 5,72                                   | 6,35                                | 3,28                             | 8,25                                      | 1,2       | 3,0       | 9,0       | 13,3      | 17,8      | 5,8       | 9100   |
| 1/2"x5/16"                  | <b>KAZ 08 B/N1</b> | 12,700             | 7,75                                   | 8,51                                | 4,45                             | 10,8                                      | 1,3       | 4,3       | 14,0      | 18,6      | 23,5      | 8,3       | 18200  |
| 5/8"x3/8"                   | <b>KAZ 10 B/N1</b> | 15,875             | 9,65                                   | 10,16                               | 5,08                             | 14,2                                      | 1,6       | 5,2       | 15,2      | 19,9      | 28,4      | 10,5      | 22700  |
| 3/4"x7/16"                  | <b>KAZ 12 B/N1</b> | 19,050             | 11,68                                  | 12,07                               | 5,72                             | 16,13                                     | 1,8       | 5,6       | 17,5      | 25,3      | 34,9      | 12,0      | 29500  |
| 1"x17,02mm                  | <b>KAZ 16 B/N1</b> | 25,400             | 17,02                                  | 15,88                               | 8,28                             | 21,0                                      | 3,1       | 9,0       | 29,0      | 37,3      | 49,0      | 18,0      | 58000  |

SPECIAL CHAINS

SPEZIALKETTEN

ŁAŃCUCHY SPECJALNE

A

B

C

D

E

F

G

H

I

J

**K**

L

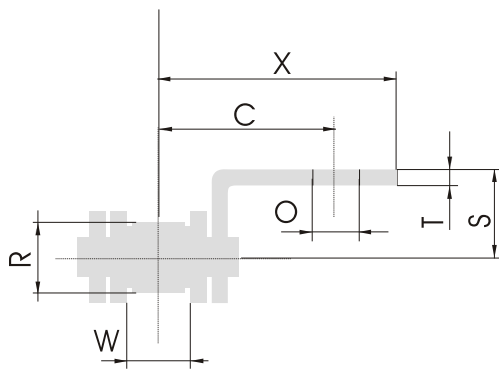
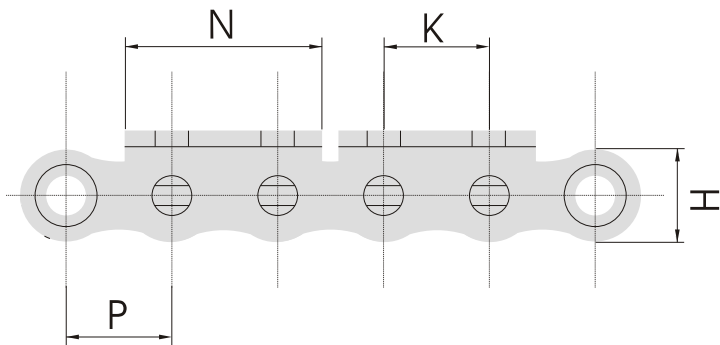
M



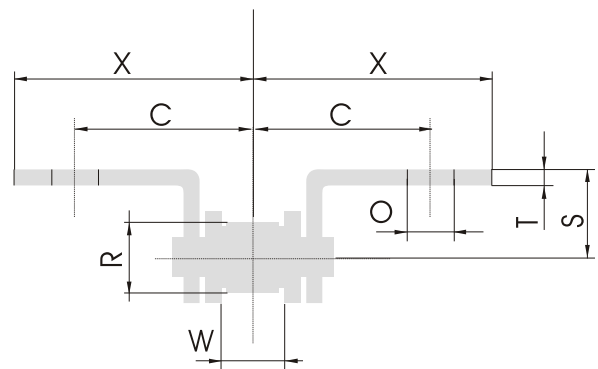
# ROLLER CHAINS WITH SPECIAL BEND PLATE

ROLLENKETTEN MIT WINKELLASCHEN

ŁAŃCUCHY ROLKOWE Z PŁYTKAMI SPECJALNYMI WYGIĘTYMI



**H**



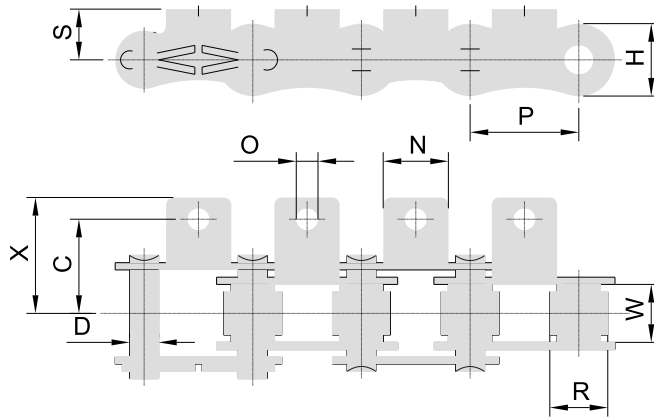
**DH**

| Dimensins   | Model              | Pitch  | Working dimensions | Roller dia. / Ø | Pin dia. / Ø | Height of plate links |        |        |        |        |        |        |        | Tensile strength   |
|-------------|--------------------|--------|--------------------|-----------------|--------------|-----------------------|--------|--------|--------|--------|--------|--------|--------|--------------------|
| P x W [in.] |                    | P [mm] | W min [mm]         | R max [mm]      | D max [mm]   | H max [mm]            | T [mm] | O [mm] | K [mm] | C [mm] | X [mm] | N [mm] | S [mm] | F <sub>B</sub> [N] |
| 3/8"x7/32"  | <b>KAZ 06 B/H1</b> | 9,525  | 5,72               | 6,35            | 3,28         | 8,25                  | 1,2    | 3,0    | 9,5    | 9,0    | 13,3   | 17,8   | 5,8    | 9100               |
| 1/2"x5/16"  | <b>KAZ 08 B/H1</b> | 12,700 | 7,75               | 8,51            | 4,45         | 10,8                  | 1,3    | 4,3    | 12,7   | 14,0   | 18,6   | 23,5   | 8,3    | 18200              |
| 1/2"x5/16"  | <b>KAZ 08 B/H2</b> | 12,700 | 7,75               | 8,51            | 4,45         | 10,8                  | 1,3    | 5,0    | 12,7   | 14,0   | 18,6   | 23,5   | 8,3    | 18200              |
| 5/8"x3/8"   | <b>KAZ 10 B/H1</b> | 15,875 | 9,65               | 10,16           | 5,08         | 14,2                  | 1,6    | 5,2    | 15,8   | 15,2   | 19,9   | 28,4   | 10,5   | 22700              |
| 3/4"x7/16"  | <b>KAZ 12 B/H1</b> | 19,050 | 11,68              | 12,07           | 5,72         | 16,13                 | 1,8    | 5,6    | 19,0   | 17,5   | 25,3   | 34,9   | 12,0   | 29500              |
| 1"x17,02mm  | <b>KAZ 16 B/H1</b> | 25,400 | 17,02              | 15,88           | 8,28         | 21,0                  | 3,1    | 9,0    | 25,4   | 29,0   | 37,3   | 49,0   | 18,0   | 58000              |

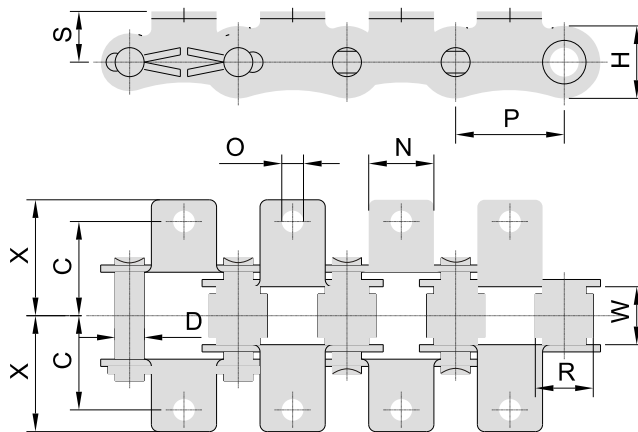
# ROLLER CHAINS WITH SPECIAL BEND PLATE

ROLLENKETTEN MIT WINKELLASCHEN

ŁAŃCUCHY ROLKOWE Z PŁYTKAMI SPECJALNYMI WYGIĘTYMI



**A - 1 Attachment**



**K - 1 Attachment**

| Model                | Pitch  | Working dimensions | Roller dia. / Ø | Pin dia. / Ø | Height of plate links | O     | C     | X     | N     | S     | Average tensile strength |
|----------------------|--------|--------------------|-----------------|--------------|-----------------------|-------|-------|-------|-------|-------|--------------------------|
|                      | P      | W min              | R max           | D max        | H max                 |       |       |       |       |       |                          |
|                      | [in]   | [in]               | [in]            | [in]         | [in]                  | [in]  | [in]  | [in]  | [in]  | [in]  | [lb]                     |
|                      | [mm]   | [mm]               | [mm]            | [mm]         | [mm]                  | [mm]  | [mm]  | [mm]  | [mm]  | [mm]  | [N]                      |
| <b>KAZ 35A-1/K-1</b> | 0,375  | 0,188              | 0,200           | 0,141        | 0,354                 | 0,102 | 0,375 | 0,563 | 0,311 | 0,250 | 2 330                    |
|                      | 9,525  | 4,78               | 5,06            | 3,58         | 9,00                  | 2,60  | 9,52  | 14,30 | 7,90  | 6,35  | 10 370                   |
| <b>KAZ 41A-1/K-1</b> | 0,500  | 0,250              | 0,306           | 0,141        | 0,386                 | 0,141 | 0,469 | 0,646 | 0,375 | 0,281 | 2 330                    |
|                      | 12,700 | 6,35               | 7,77            | 3,58         | 9,90                  | 3,60  | 11,90 | 16,40 | 9,60  | 7,10  | 10 370                   |
| <b>KAZ 40A-1/K-1</b> | 0,500  | 0,312              | 0,312           | 0,156        | 0,472                 | 0,141 | 0,500 | 0,701 | 0,375 | 0,315 | 4 120                    |
|                      | 12,700 | 7,92               | 7,92            | 3,96         | 12,00                 | 3,60  | 12,70 | 17,80 | 9,60  | 8,00  | 18 330                   |
| <b>KAZ 50A-1/K-1</b> | 0,625  | 0,375              | 0,400           | 0,200        | 0,591                 | 0,205 | 0,625 | 0,921 | 0,500 | 0,406 | 6 790                    |
|                      | 15,825 | 9,52               | 10,16           | 5,08         | 15,00                 | 5,20  | 15,90 | 23,40 | 12,70 | 10,30 | 30 210                   |

SPECIAL CHAINS

SPEZIALKETTEN

ŁAŃCUCHY SPECJALNE

A

B

C

D

E

F

G

H

I

J

**K**

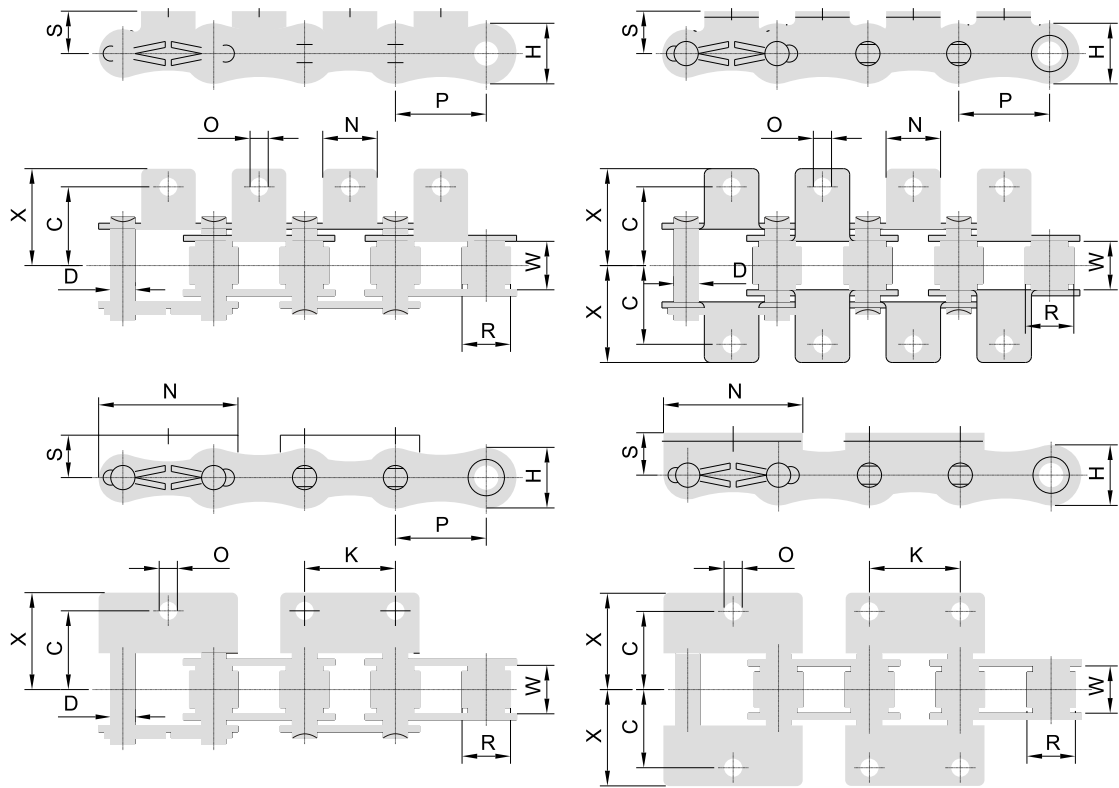
L

M

# ROLLER CHAINS WITH SPECIAL BEND PLATE

ROLLENKETTEN MIT WINKELLASCHEN

ŁAŃCUCHY ROLKOWE Z PŁYTKAMI SPECJALNYMI WYGIĘTYMI



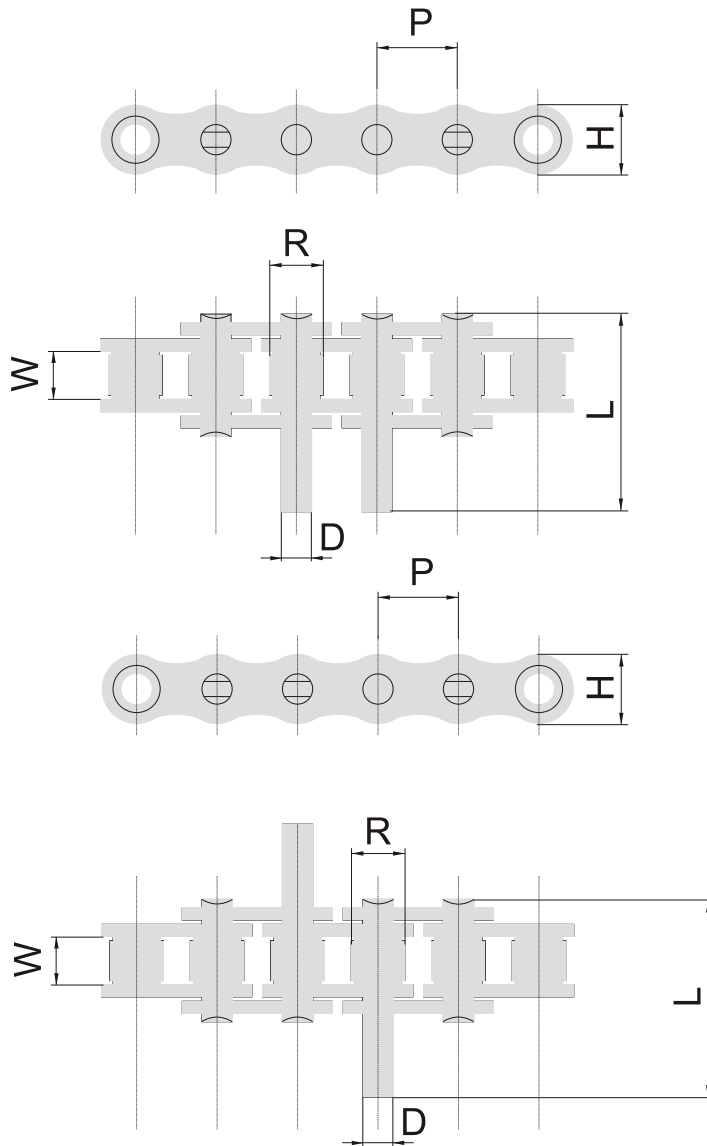
| Model              | Pitch | Working dimensions | Roller dia. / Ø | Pin dia. / Ø | Height of plate links | O     | K     | C     | X     | N     | Tensile strength |
|--------------------|-------|--------------------|-----------------|--------------|-----------------------|-------|-------|-------|-------|-------|------------------|
|                    | P     | W min              | R max           | D max        | H max                 | [in]  | [in]  | [in]  | [in]  | [in]  | FB min.          |
|                    | [in]  | [in]               | [in]            | [in]         | [in]                  | [in]  | [in]  | [in]  | [in]  | [in]  | [lb]             |
|                    | [mm]  | [mm]               | [mm]            | [mm]         | [mm]                  | [mm]  | [mm]  | [mm]  | [mm]  | [mm]  | [N]              |
| <b>KAZ 60/A;K</b>  | 0,750 | 0,500              | 0,469           | 0,234        | 0,713                 | 0,205 | -     | 0,752 | 1,110 | 0,626 | 7 150            |
|                    | 19,05 | 12,70              | 11,91           | 5,94         | 18,10                 | 5,20  | -     | 19,10 | 28,20 | 15,90 | 31 800           |
| <b>KAZ 60/W</b>    | 0,750 | 0,500              | 0,469           | 0,234        | 0,713                 | 0,205 | 0,750 | 0,752 | 1,110 | 1,460 | 7 150            |
|                    | 19,05 | 12,70              | 11,91           | 5,94         | 18,10                 | 5,20  | 19,05 | 19,10 | 28,20 | 37,10 | 31 800           |
| <b>KAZ 80/A;K</b>  | 1,000 | 0,622              | 0,625           | 0,312        | 0,945                 | 0,268 | -     | 1,000 | 1,441 | 0,752 | 12 750           |
|                    | 25,40 | 15,80              | 15,88           | 7,92         | 24,00                 | 6,80  | -     | 25,40 | 36,60 | 19,10 | 56 700           |
| <b>KAZ 80/W</b>    | 1,000 | 0,622              | 0,625           | 0,312        | 0,945                 | 0,268 | 1,000 | 1,000 | 1,441 | 1,940 | 12 750           |
|                    | 25,40 | 15,80              | 15,88           | 7,92         | 24,00                 | 6,80  | 25,40 | 25,40 | 36,60 | 49,30 | 56 700           |
| <b>KAZ 100/A;K</b> | 1,250 | 0,748              | 0,750           | 0,375        | 1,181                 | 0,343 | -     | 1,252 | 1,768 | 1,000 | 19 900           |
|                    | 31,75 | 19,00              | 19,05           | 9,52         | 30,00                 | 8,70  | -     | 31,80 | 44,90 | 25,40 | 88 500           |
| <b>KAZ 100/W</b>   | 1,250 | 0,748              | 0,750           | 0,375        | 1,181                 | 0,343 | 1,250 | 1,252 | 1,768 | 2,410 | 19 900           |
|                    | 31,75 | 19,00              | 19,05           | 9,52         | 30,00                 | 8,70  | 31,75 | 31,80 | 44,90 | 61,20 | 88 500           |
| <b>KAZ 120/A;K</b> | 1,500 | 1,000              | 0,875           | 0,437        | 1,421                 | 0,386 | -     | 1,500 | 2,197 | 1,126 | 28 560           |
|                    | 38,10 | 25,40              | 22,23           | 11,10        | 36,10                 | 9,80  | -     | 38,10 | 55,80 | 28,60 | 127 000          |
| <b>KAZ 140/A;K</b> | 1,750 | 1,000              | 1,000           | 0,500        | 1,661                 | 0,449 | -     | 1,752 | 2,421 | 1,375 | 38 770           |
|                    | 44,45 | 25,40              | 25,40           | 12,70        | 42,20                 | 11,40 | -     | 44,50 | 61,50 | 34,90 | 172 400          |
| <b>KAZ 160/A;K</b> | 2,000 | 1,250              | 1,125           | 0,562        | 1,890                 | 0,516 | -     | 2,000 | 2,839 | 1,500 | 51 000           |
|                    | 50,80 | 31,75              | 28,58           | 14,27        | 48,00                 | 13,10 | -     | 50,80 | 72,10 | 38,10 | 226 800          |



# ROLLER CHAINS WITH LENGTHEN PINS

ROLLENKETTEN MIT VERLÄNGERTEN BOLZEN

ŁAŃCUCHY ROLKOWE Z WYDŁUŻONYMI SWORZNIAMI



| Dimensins<br>P x W<br>[in.] | Model             | Pitch<br>P<br>[mm] | Working<br>dimensions<br>W min<br>[mm] | Roller<br>dia. / Ø<br>R max<br>[mm] | Pin<br>dia. / Ø<br>D max<br>[mm] | Height of<br>plate links<br>H max<br>[mm] | Tensile<br>strength<br>F <sub>B</sub><br>[N] |
|-----------------------------|-------------------|--------------------|--|-------------------------------------|----------------------------------|---|--|
| 3/8"x7/32"                  | <b>KAZ 06 B/L</b> | 9,525              | 5,72                                   | 6,35                                | 3,28                             | 8,25                                      | 9100   |
| 1/2"x5/16"                  | <b>KAZ 08 B/L</b> | 12,700             | 7,75                                   | 8,51                                | 4,45                             | 10,80                                     | 18200  |
| 5/8"x3/8"                   | <b>KAZ 10 B/L</b> | 15,875             | 9,65                                   | 10,16                               | 5,08                             | 13,00                                     | 22700  |
| 5/8"x3/8"                   | <b>KAZ 10 B/L</b> | 15,875             | 9,65                                   | 10,16                               | 5,08                             | 14,20                                     | 22700  |
| 3/4"x7/16"                  | <b>KAZ 12 B/L</b> | 19,050             | 11,68                                  | 12,07                               | 5,72                             | 16,13                                     | 29500  |
| 1"x17,02mm                  | <b>KAZ 16 B/L</b> | 25,400             | 17,02                                  | 15,88                               | 8,28                             | 21,00                                     | 58000  |
| 1:1/4"x3/4"                 | <b>KAZ 20 B/L</b> | 31,750             | 19,56                                  | 19,05                               | 10,19                            | 26,20                                     | 95000  |
| 1"1/2"x1"                   | <b>KAZ 24 B/L</b> | 38,100             | 25,40                                  | 25,40                               | 14,63                            | 33,20                                     | 170000                                       |
| 1"3/4"x1"1/4"               | <b>KAZ 28 B/L</b> | 44,450             | 30,99                                  | 27,94                               | 15,90                            | 37,00                                     | 200000                                       |
| 2"x1"1/4"                   | <b>KAZ 32 B/L</b> | 50,800             | 30,99                                  | 29,21                               | 17,81                            | 41,00                                     | 260000                                       |

Długość sworznia (L) wg wymagań zamawiającego

SPECIAL CHAINS

SPEZIALKETTEN

ŁAŃCUCHY SPECJALNE

A

B

C

D

E

F

G

H

I

J

**K**

L

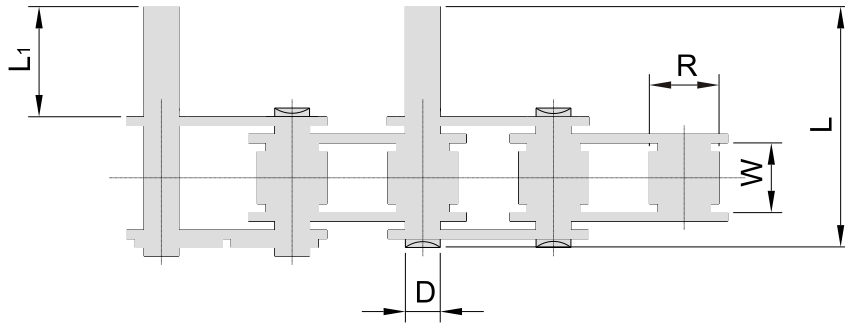
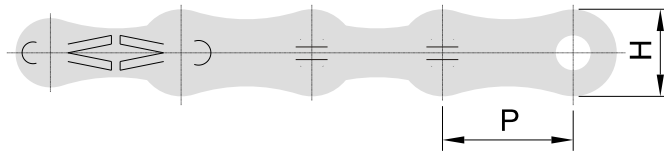
M

# ROLLER CHAINS WITH LENGTHEN PINS

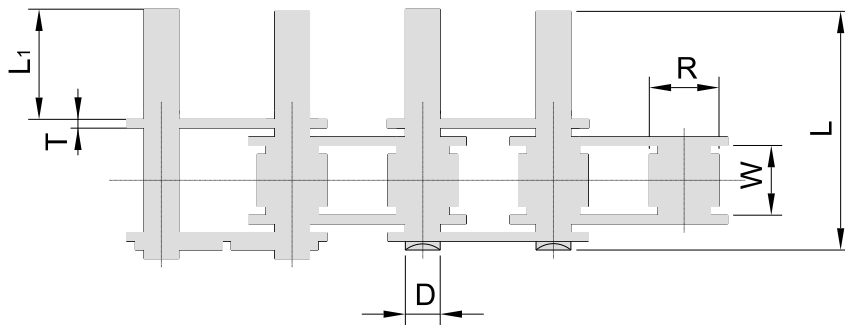
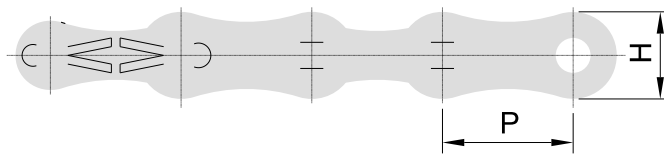
ROLLENKETTEN MIT VERLÄNGERTEN BOLZEN

ŁAŃCUCHY SPECJALNE Z WYDŁUŻONYM SWORZNIEM

SPECIAL CHAINS  
SPEZIALKETTEN  
ŁAŃCUCHY SPECJALNE



**D - 1 Attachment**



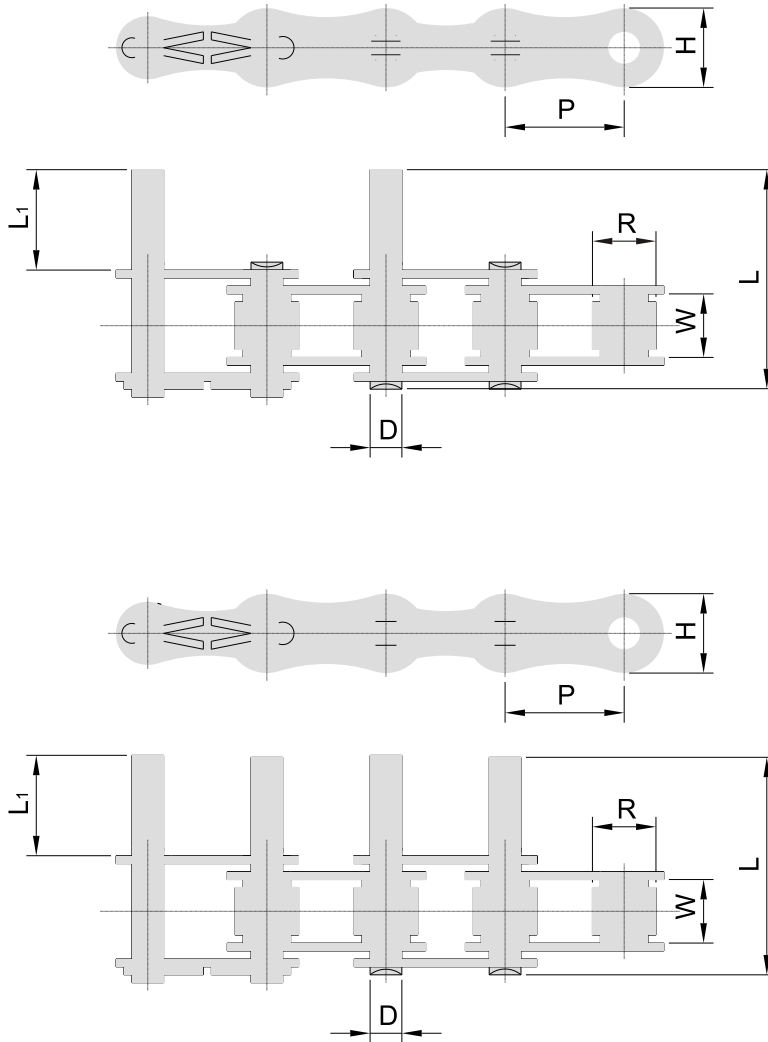
**D - 3 Attachment**

| Model                | Pitch  | Working dimensions | Roller dia. / Ø | Pin dia. / Ø | Height of plate links | T     | L     | L1    | Average tensile strength |
|----------------------|--------|--------------------|-----------------|--------------|-----------------------|-------|-------|-------|--------------------------|
|                      | P      | W min              | R max           | D max        | H max                 | [in]  | [in]  | [in]  |                          |
|                      | [in]   | [in]               | [in]            | [in]         | [in]                  | [in]  | [in]  | [in]  | [lb]                     |
|                      | [mm]   | [mm]               | [mm]            | [mm]         | [mm]                  | [mm]  | [mm]  | [mm]  | [N]                      |
| <b>KAZ 35D-1/D-3</b> | 0,375  | 0,188              | 0,200           | 0,141        | 0,354                 | 0,050 | 0,805 | 0,375 | 2 330                    |
|                      | 9,525  | 4,78               | 5,06            | 3,58         | 9,00                  | 1,30  | 20,50 | 9,50  | 10 370                   |
| <b>KAZ 41D-1/D-3</b> | 0,500  | 0,250              | 0,306           | 0,141        | 0,386                 | 0,050 | 0,874 | 0,375 | 2 330                    |
|                      | 12,700 | 6,35               | 7,77            | 3,58         | 9,90                  | 1,25  | 22,20 | 9,50  | 10 370                   |
| <b>KAZ 40D-1/D-3</b> | 0,500  | 0,312              | 0,312           | 0,156        | 0,472                 | 0,060 | 0,986 | 0,375 | 4 120                    |
|                      | 12,700 | 7,92               | 7,92            | 3,96         | 12,00                 | 1,50  | 25,00 | 9,50  | 18 330                   |
| <b>KAZ 50D-1/D-3</b> | 0,625  | 0,375              | 0,400           | 0,200        | 0,591                 | 0,080 | 1,233 | 0,469 | 6 790                    |
|                      | 15,825 | 9,52               | 10,16           | 5,08         | 15,00                 | 2,00  | 31,30 | 11,90 | 30 210                   |

# ROLLER CHAINS WITH LENGTHEN PINS

ROLLENKETTEN MIT VERLÄNGERTEN BOLZEN

ŁAŃCUCHY ROLKOWE Z WYDŁUŻONYMI SWORZNIAMI



| Model            | Pitch | Working dimensions | Roller dia. / Ø | Pin dia. / Ø | Height of plate links | L     | L1    | Tensile strength |
|------------------|-------|--------------------|-----------------|--------------|-----------------------|-------|-------|------------------|
|                  | P     | W min              | R max           | D max        | H max                 |       |       | FB min.          |
|                  | [in]  | [in]               | [in]            | [in]         | [in]                  | [in]  | [in]  | [lb]             |
|                  | [mm]  | [mm]               | [mm]            | [mm]         | [mm]                  | [mm]  | [mm]  | [N]              |
| <b>KAZ 60/D</b>  | 0,750 | 0,500              | 0,469           | 0,234        | 0,713                 | 1,524 | 0,563 | 7 150            |
|                  | 19,05 | 12,70              | 11,91           | 5,94         | 18,10                 | 38,70 | 14,30 | 31 800           |
| <b>KAZ 80/D</b>  | 1,000 | 0,622              | 0,625           | 0,312        | 0,945                 | 1,976 | 0,752 | 12 750           |
|                  | 25,40 | 15,80              | 15,88           | 7,92         | 24,00                 | 50,20 | 19,10 | 56 700           |
| <b>KAZ 100/D</b> | 1,250 | 0,748              | 0,750           | 0,375        | 1,181                 | 2,426 | 0,937 | 19 900           |
|                  | 31,75 | 19,00              | 19,05           | 9,52         | 30,00                 | 61,60 | 23,80 | 88 500           |
| <b>KAZ 120/D</b> | 1,500 | 1,000              | 0,875           | 0,437        | 1,421                 | 3,004 | 1,126 | 28 560           |
|                  | 38,10 | 25,40              | 22,23           | 11,10        | 36,10                 | 76,30 | 28,60 | 127 000          |
| <b>KAZ 140/D</b> | 1,750 | 1,000              | 1,000           | 0,500        | 1,661                 | 3,323 | 1,311 | 38 770           |
|                  | 44,45 | 25,40              | 25,40           | 12,70        | 42,20                 | 84,40 | 33,30 | 172 400          |
| <b>KAZ 160/D</b> | 2,000 | 1,250              | 1,125           | 0,562        | 1,890                 | 3,908 | 1,500 | 51 000           |
|                  | 50,80 | 31,75              | 28,58           | 14,27        | 48,00                 | 99,30 | 38,10 | 226 800          |

SPECIAL CHAINS

SPEZIALKETTEN

ŁAŃCUCHY SPECJALNE

A

B

C

D

E

F

G

H

I

J

**K**

L

M

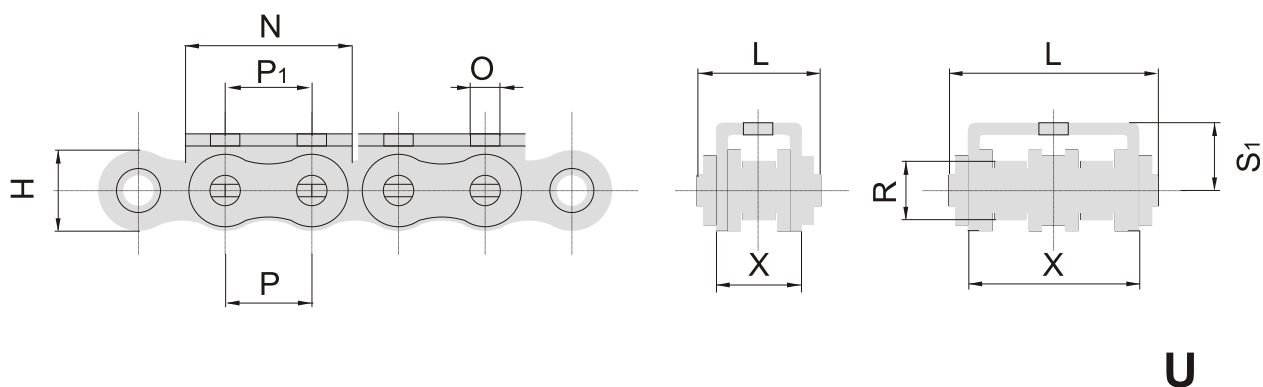


# SPECIAL CHAINS WITH "U" ELEMENTS

SPEZIALKETTEN MIT U-BÜGEL

ŁAŃCUCHY SPECJALNE Z ELEMENTEM „U”

SPECIAL CHAINS  
SPEZIALKETTEN  
ŁAŃCUCHY SPECJALNE



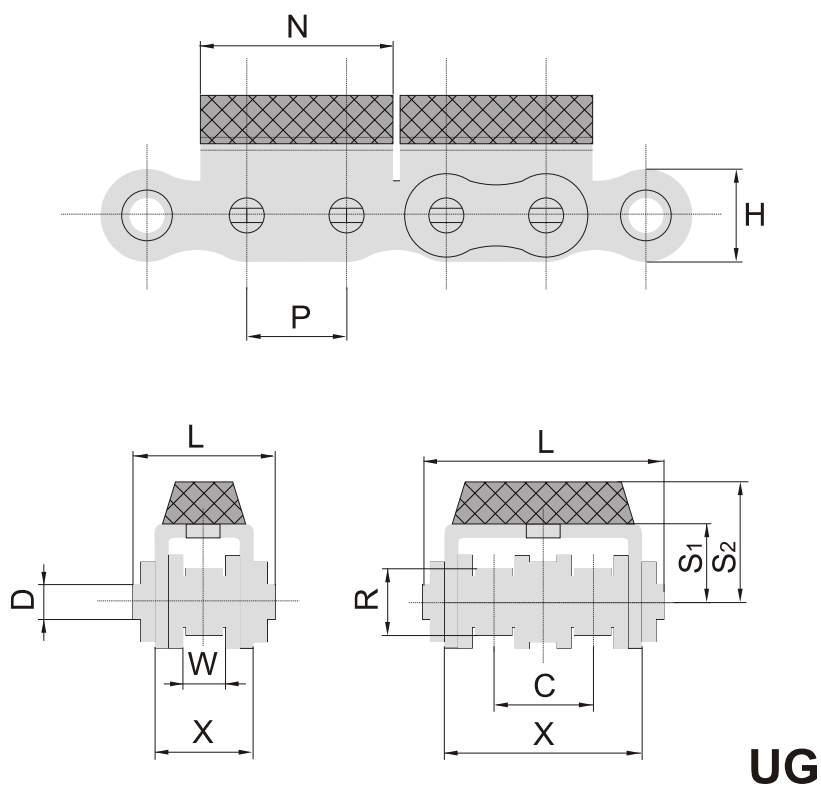
U

| Dimensins<br>P x W<br>[in.] | Model               | Pitch<br>P<br>[mm] | Working<br>dimensions<br>W min<br>[mm] | Roller<br>dia. / Ø<br>R max<br>[mm] | Pin<br>dia. / Ø<br>D max<br>[mm] | Height of<br>plate links<br>H max<br>[mm] | Pin<br>length<br>L max<br>[mm] | O | P1   | X    | N    | S1   | Tensile<br>strength<br>FB<br>[N] |
|-----------------------------|---------------------|--------------------|--|-------------------------------------|----------------------------------|---|--------------------------------|---|------|------|------|------|----------------------------------|
| 1/2"x5/16"                  | <b>KAZ 08 B/U1</b>  | 12,700             | 7,75                                   | 8,51                                | 4,45                             | 10,8                                      | 19,6                           | - | -    | 14,7 | 24,0 | 8,8  | 14600                            |
| 1/2"x5/16"                  | <b>KAZ 08 B/U2</b>  | 12,700             | 7,75                                   | 8,51                                | 4,45                             | 10,8                                      | 19,6                           | 5 | -    | 14,7 | 24,0 | 8,8  | 14600                            |
| 1/2"x5/16"                  | <b>KAZ 08 B/U3</b>  | 12,700             | 7,75                                   | 8,51                                | 4,45                             | 10,8                                      | 19,6                           | 5 | 12,7 | 14,7 | 24,0 | 8,8  | 14600                            |
| 5/8"x3/8"                   | <b>KAZ 10 B/U1</b>  | 15,875             | 9,65                                   | 10,16                               | 5,08                             | 13,0                                      | 22,3                           | - | -    | 16,7 | 30,0 | 11,3 | 18200                            |
| 5/8"x3/8"                   | <b>KAZ 10 B/U2</b>  | 15,875             | 9,65                                   | 10,16                               | 5,08                             | 13,0                                      | 22,3                           | 5 | -    | 16,7 | 30,0 | 11,3 | 18200                            |
| 5/8"x3/8"                   | <b>KAZ 10 B/U3</b>  | 15,875             | 9,65                                   | 10,16                               | 5,08                             | 13,0                                      | 22,3                           | 5 | 15,8 | 16,7 | 30,0 | 11,3 | 18200                            |
| 1/2"x5/16"                  | <b>KAZ 08B-2/U1</b> | 12,700             | 7,75                                   | 8,51                                | 4,45                             | 10,8                                      | 34,0                           | - | -    | 28,3 | 24,2 | 8,3  | 28600                            |
| 1/2"x5/16"                  | <b>KAZ 08B-2/U2</b> | 12,700             | 7,75                                   | 8,51                                | 4,45                             | 10,8                                      | 34,0                           | 4 | 12,7 | 28,3 | 24,2 | 8,3  | 28600                            |
| 5/8"x3/8"                   | <b>KAZ 10B-2/U1</b> | 15,875             | 9,65                                   | 10,16                               | 5,08                             | 13,0                                      | 39,0                           | 5 | 15,8 | 33,3 | 30,0 | 11,3 | 36300                            |

# SPECIAL CHAINS WITH "U" AND RUBBER ELEMENTS

SPEZIALKETTEN MIT U-BÜGEL UND GUMMI

ŁAŃCUCHY SPECJALNE Z ELEMENTEM „U” I NAŁOŻONĄ GUMĄ



| Dimensins<br>P x W<br>[in.] | Model                 | Pitch<br>P<br>[mm] | Working<br>dimensions<br>W min<br>[mm] | Roller<br>dia. / Ø<br>R max<br>[mm] | Pin<br>dia. / Ø<br>D max<br>[mm] | Height of<br>plate links<br>H max<br>[mm] | Pin length<br>L max<br>[mm] | C     | S <sub>2</sub> | X     | N    | S <sub>1</sub> | Tensile<br>strength<br>F <sub>B</sub><br>[N] |
|-----------------------------|-----------------------|--------------------|--|-------------------------------------|----------------------------------|---|-----------------------------|-------|----------------|-------|------|----------------|--|
| 1/2"x5/16"                  | <b>KAZ 08 B/UG1</b>   | 12,700             | 7,75                                   | 8,51                                | 4,45                             | 10,80                                     | 19,60                       | -     | 13,0           | 14,7  | 24,0 | 8,8            | 14600  |
| 5/8"x3/8"                   | <b>KAZ 10 B/UG1</b>   | 15,875             | 9,65                                   | 10,16                               | 5,08                             | 13,00                                     | 22,30                       | -     | 15,5           | 16,7  | 30,0 | 11,3           | 18200  |
| 3/4"x7/16"                  | <b>KAZ 12 B/UG1</b>   | 19,050             | 11,68                                  | 12,07                               | 5,72                             | 16,13                                     | 26,50                       | -     | 21,0           | 19,4  | 37,0 | 13,0           | 23600  |
| 1"x17,02mm                  | <b>KAZ 16 B/UG1</b>   | 25,400             | 17,02                                  | 15,88                               | 8,28                             | 21,00                                     | 40,10                       | -     | 21,4           | 29,05 | 49,0 | 15,4           | 58000  |
| 1/2"x5/16"                  | <b>KAZ 08 B-2/UG1</b> | 12,700             | 7,75                                   | 8,51                                | 4,45                             | 10,80                                     | 34,00                       | 13,92 | 12,5           | 28,3  | 24,2 | 8,3            | 28600  |
| 5/8"x3/8"                   | <b>KAZ 10 B-2/UG1</b> | 15,875             | 9,65                                   | 10,16                               | 5,08                             | 13,00                                     | 39,00                       | 16,59 | 15,5           | 33,3  | 30,0 | 11,3           | 36300  |

SPECIAL CHAINS  
SPEZIALKETTEN  
ŁAŃCUCHY SPECJALNE

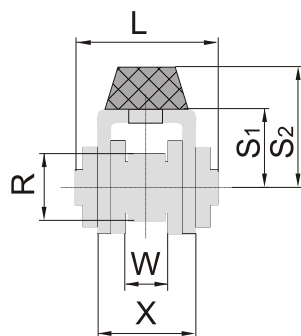
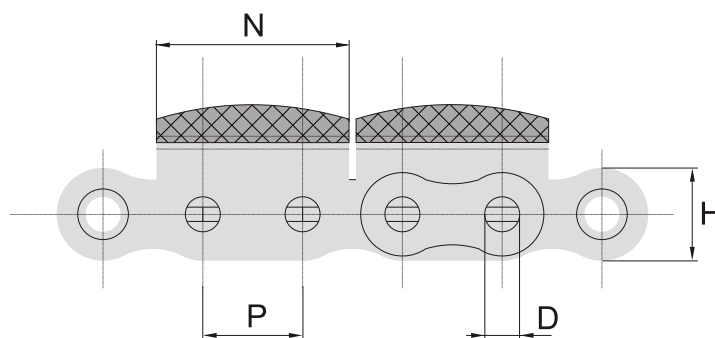


# SPECIAL CHAINS WITH "U" AND RUBBER ELEMENTS

SPEZIALKETTEN MIT U-BÜGEL UND GUMMI

ŁAŃCUCHY SPECJALNE Z ELEMENTEM „U” I NAŁOŻONĄ GUMĄ

SPECIAL CHAINS  
SPEZIALKETTEN  
ŁAŃCUCHY SPECJALNE



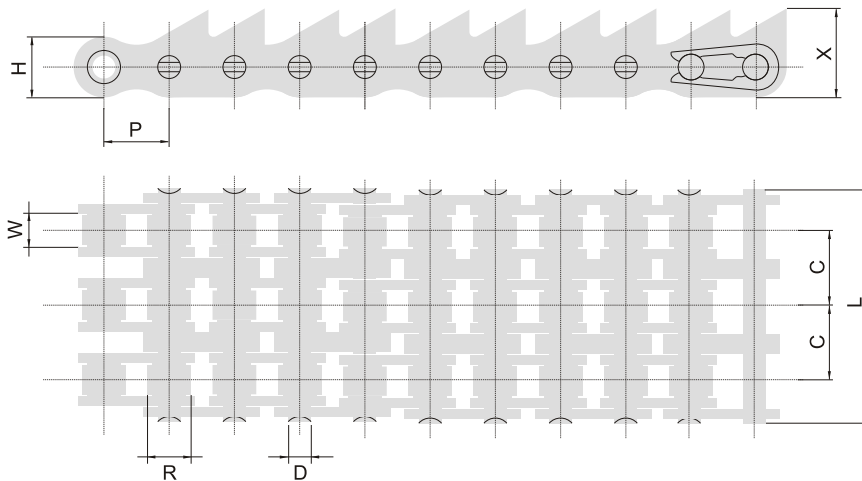
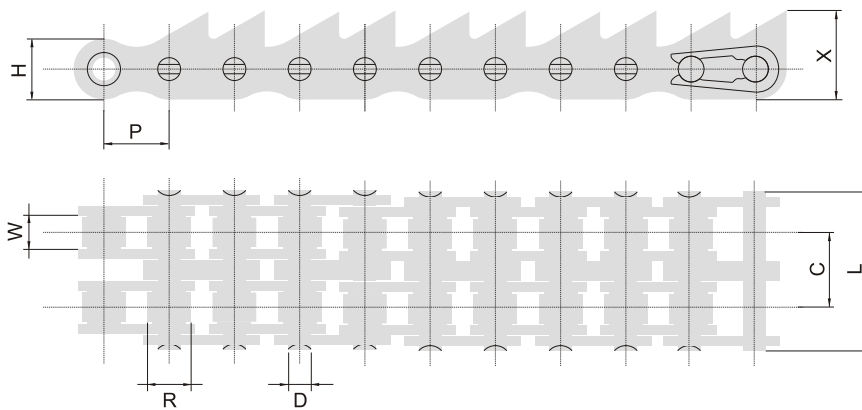
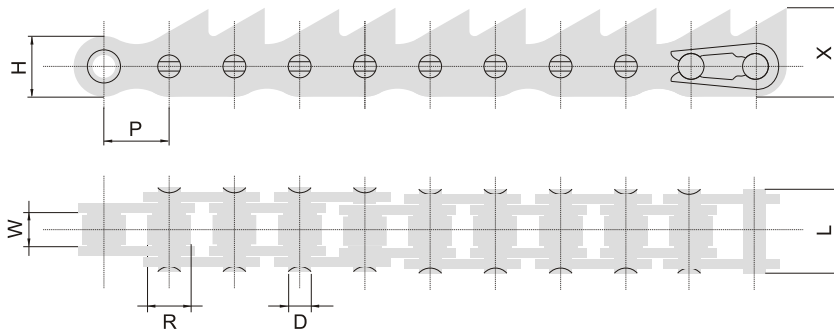
**UGR**

| Dimensins  | Model               | Pitch  | Working dimensions | Roller dia. / Ø | Pin dia. / Ø | Height of plate links | Pin length |                |      |      |                | Tensile strength |
|------------|---------------------|--------|--------------------|-----------------|--------------|-----------------------|------------|----------------|------|------|----------------|------------------|
| P x W      |                     | P      | W min              | R max           | D max        | H max                 | L max      | S <sub>2</sub> | X    | N    | S <sub>1</sub> | F <sub>B</sub>   |
| [in.]      |                     | [mm]   | [mm]               | [mm]            | [mm]         | [mm]                  | [mm]       | [mm]           | [mm] | [mm] | [mm]           | [N]              |
| 1/2"x5/16" | <b>KAZ 08 B/UGR</b> | 12,700 | 7,75               | 8,51            | 4,45         | 10,8                  | 19,6       | 13,0           | 14,7 | 24,0 | 8,8            | 14600            |

# SPECIAL CHAINS

SPEZIALKETTEN

ŁAŃCUCHY SPECJALNE



| Pitch | Model | Working dimensions | Roller dia. / Ø | Pin dia. / Ø | Pin length | Height of plate links | Axis spacing | Tooth height | Tensile strength |        |
|-------|-------|--------------------|-----------------|--------------|------------|-----------------------|--------------|--------------|------------------|--------|
| P     |       | W min              | R max           | D max        | L max      | H max                 | C            | X            | F <sub>B</sub>   |        |
| [mm]  | [in.] | [mm]               | [mm]            | [mm]         | [mm]       | [mm]                  | [mm]         | [mm]         | [N]              |        |
| 25,4  | 1"    | <b>KAZ-16B-1/Z</b> | 17,02           | 15,88        | 8,28       | 36,1                  | 21,0         | -            | 28               | 58000  |
| 25,4  | 1"    | <b>KAZ-16B-2/Z</b> | 17,02           | 15,88        | 8,28       | 68,0                  | 21,0         | 31,88        | 28               | 110000 |
| 25,4  | 1"    | <b>KAZ-16B-3/Z</b> | 17,02           | 15,88        | 8,28       | 99,9                  | 21,0         | 31,88        | 28               | 165000 |

SPECIAL CHAINS

SPEZIALKETTEN

ŁAŃCUCHY SPECJALNE

A

B

C

D

E

F

G

H

I

J

**K**

L

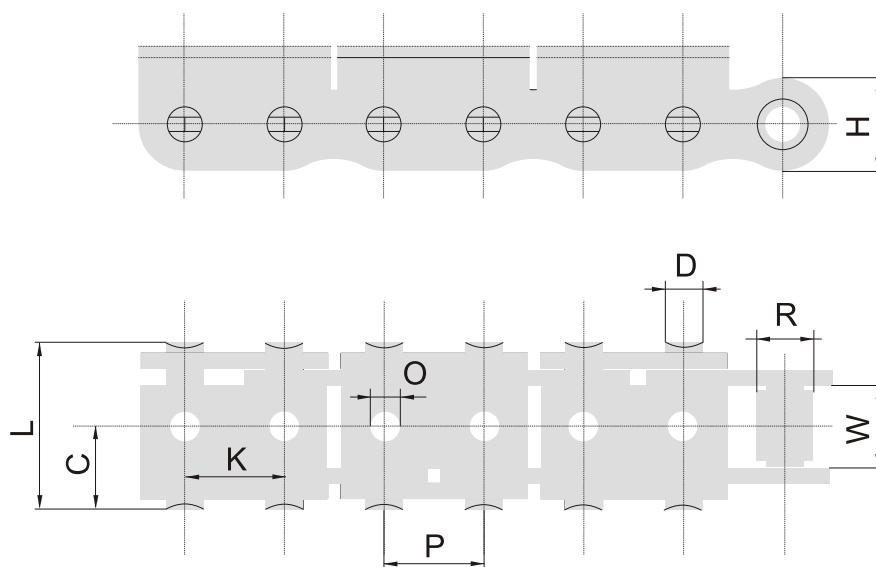
M

# SPECIAL CHAINS

SPEZIALKETTEN

ŁAŃCUCHY SPECJALNE

SPECIAL CHAINS  
SPEZIALKETTEN  
ŁAŃCUCHY SPECJALNE

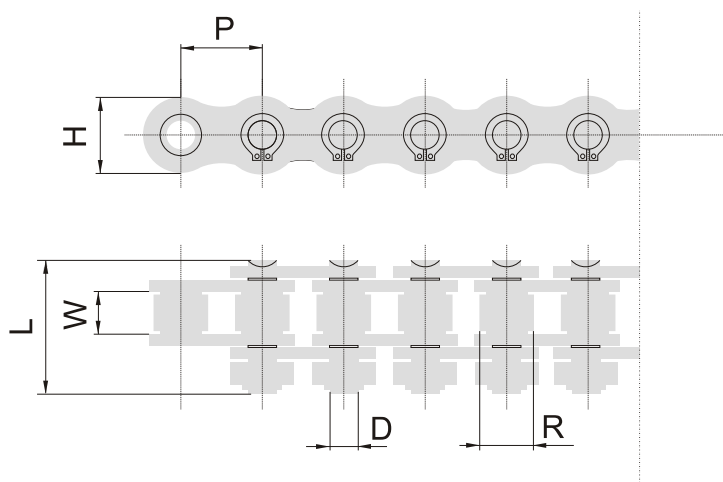


| Pitch | Model | Working dimensions | Roller dia. / Ø | Pin dia. / Ø | Pin length | Height of plate links |      |      |      | Tensile strength |       |
|-------|-------|--------------------|-----------------|--------------|------------|-----------------------|------|------|------|------------------|-------|
| P     |       | W min              | R max           | D max        | L max      | H max                 | O    | K    | C    | F <sub>B</sub>   |       |
| [mm]  | [in.] | [mm]               | [mm]            | [mm]         | [mm]       | [mm]                  | [mm] | [mm] | [mm] | [N]              |       |
| 25,4  | 1"    | <b>KAZ-16B-1/P</b> | 17,02           | 15,88        | 8,28       | 36,1                  | 21,0 | 6,5  | 25,4 | 15,9             | 58000 |

# SPECIAL CHAINS

SPEZIALKETTEN

ŁAŃCUCHY SPECJALNE



| Pitch | Model | Working dimensions | Roller dia. / Ø | Roller dia. / Ø | Pin dia. / Ø | Pin length | Axis spacing | Tensile strength |       |
|-------|-------|--------------------|-----------------|-----------------|--------------|------------|--------------|------------------|-------|
| P     |       | W min              | R1 max          | R2 max          | D max        | L max      | C            | F <sub>B</sub>   |       |
| [mm]  | [in.] | [mm]               | [mm]            | [mm]            | [mm]         | [mm]       | [mm]         | [N]              |       |
| 15,88 | 5/8"  | <b>KAZ-10B-1/R</b> | 9,65            | 10,16           | 5,08         | 25,4       | 14,2         | 15,1             | 22700 |

SPECIAL CHAINS  
SPEZIALKETTEN  
ŁAŃCUCHY SPECJALNE



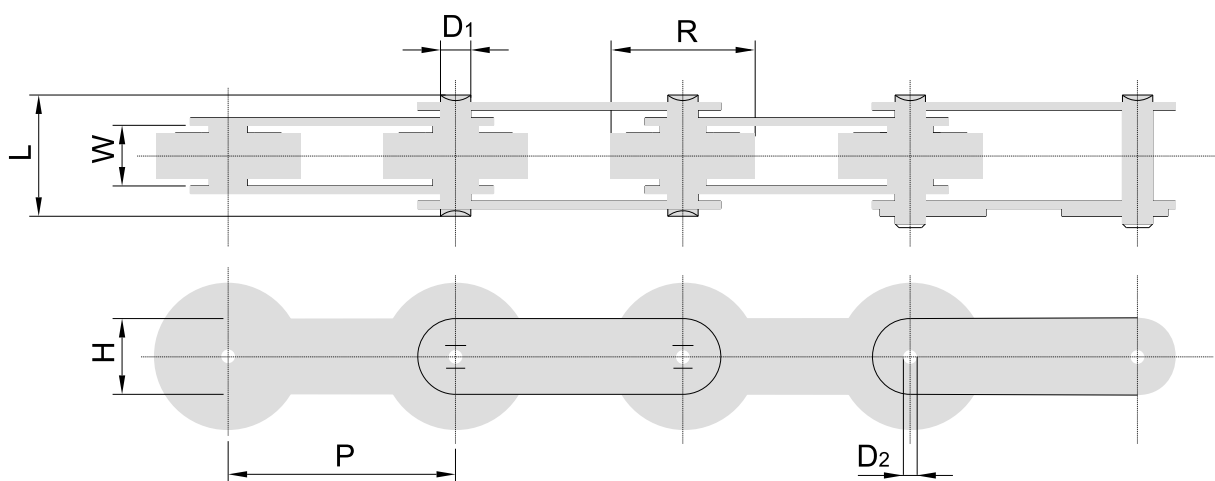


# SPECIAL CHAINS

SPEZIALKETTEN

ŁAŃCUCHY SPECJALNE

SPECIAL CHAINS  
SPEZIALKETTEN  
ŁAŃCUCHY SPECJALNE



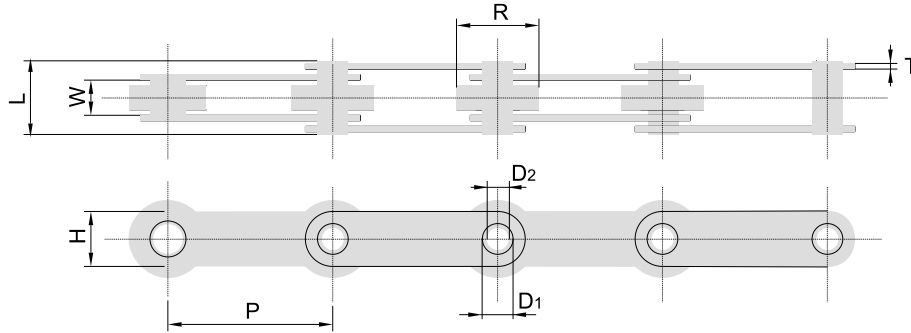
| Pitch | Model          | Working dimensions | Roller dia. / Ø | Pin dia. / Ø |      | Pin length | Height of plate links | Tensile strength |
|-------|----------------|--------------------|-----------------|--------------|------|------------|-----------------------|------------------|
| P     |                | W min              | R max           | D1           | D2   | L max      | H max                 | F <sub>B</sub>   |
| [in.] |                | [mm]               | [mm]            | [mm]         | [mm] | [mm]       | [mm]                  | [N]              |
| 63    | <b>KAZ-HK1</b> | 15                 | 40              | 14           | 8,3  | 41         | 20                    | 38000            |

# SPECIAL CHAINS

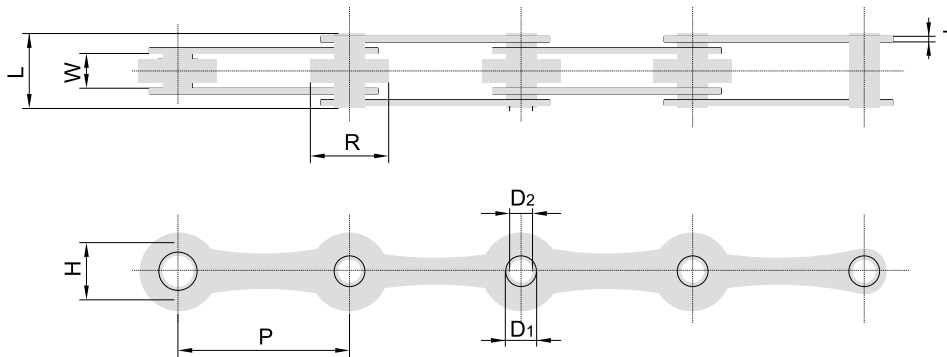
SPEZIALKETTEN

ŁAŃCUCHY SPECJALNE

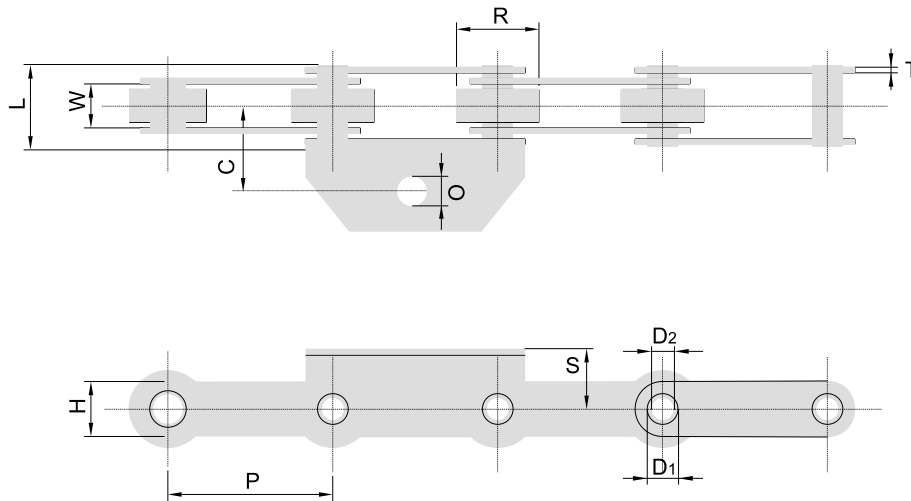
H - 1



H - 2



H - 3



| Pitch<br>P<br>[mm] | Model         | Working dimensions |            | Pin dia. / Ø |               | Roller dia. / Ø | Pin length    | Height of plate links |           |           |           | Tensile strength      | Weight      |
|--------------------|---------------|--------------------|------------|--------------|---------------|-----------------|---------------|-----------------------|-----------|-----------|-----------|-----------------------|-------------|
|                    |               | W min<br>[mm]      | D1<br>[mm] | D2<br>[mm]   | R max<br>[mm] | L max<br>[mm]   | H max<br>[mm] | S<br>[mm]             | T<br>[mm] | C<br>[mm] | O<br>[mm] | F <sub>B</sub><br>[N] | q<br>[kg/m] |
| 50                 | <b>KAZ-H1</b> | 15                 | 13,20      | 10,20        | 31            | 32              | 25            | -                     | 2,8       | -         | -         | 30000                 | 2,5         |
| 50,8               | <b>KAZ-H2</b> | 10                 | 11,50      | 8,30         | 30            | 26              | 21            | -                     | 3,0       | -         | -         | 30000                 | 2,3         |
| 50                 | <b>KAZ-H3</b> | 15                 | 13,20      | 10,20        | 31            | 32              | 25            | 24                    | 2,8       | 22        | 8,4       | 30000                 | 4,5         |

SPECIAL CHAINS

SPEZIALKETTEN

ŁAŃCUCHY SPECJALNE

A

B

C

D

E

F

G

H

I

J

**K**

L

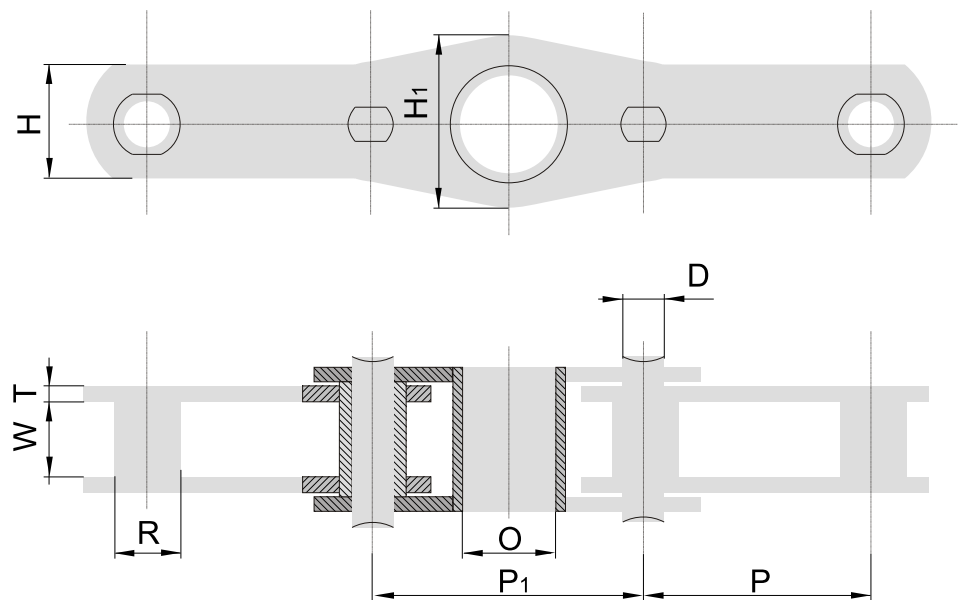
M

# SPECIAL CHAINS

SPEZIALKETTEN

ŁAŃCUCHY SPECJALNE

SPECIAL CHAINS  
SPEZIALKETTEN  
ŁAŃCUCHY SPECJALNE

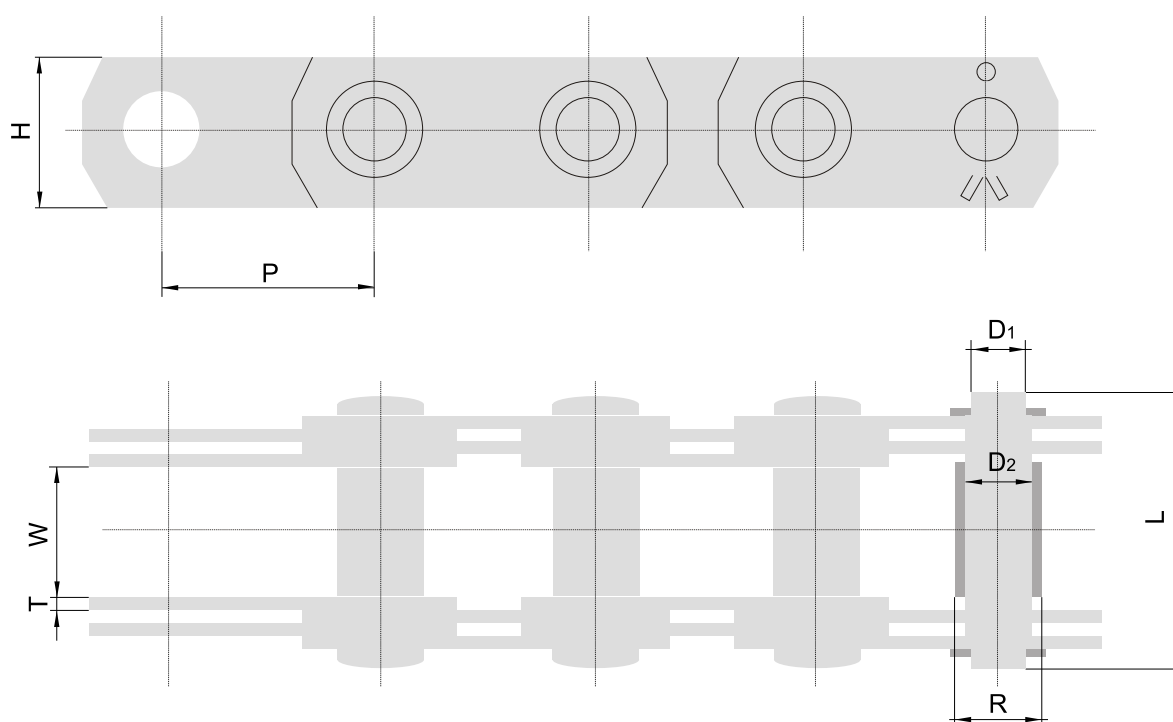


| Pitch          |                | Model          | Working dimensions | Bush dia. / Ø | Pin dia. / Ø | Width of plate links |                |      |      | Tensile strength | Weight |
|----------------|----------------|----------------|--------------------|---------------|--------------|----------------------|----------------|------|------|------------------|--------|
| P <sub>1</sub> | P <sub>2</sub> |                |                    |               |              | H max                | H <sub>1</sub> | T    | O    |                  |        |
| [mm]           | [mm]           |                | W min [mm]         | R [mm]        | D max [mm]   | [mm]                 | [mm]           | [mm] | [mm] | [N]              | [kg/m] |
| 63             | 75             | <b>KAZ-P63</b> | 22                 | 18            | 12,15        | 30                   | 46             | 4    | 26   | 63000            | 3,0    |

# SPECIAL CHAINS

SPEZIALKETTEN

ŁAŃCUCHY SPECJALNE



| Pitch | Model           | Working dimensions | Bush dia. / Ø | Pin dia. / Ø |      | Pin length | Width of plate links | Thickness plate |
|-------|-----------------|--------------------|---------------|--------------|------|------------|----------------------|-----------------|
| P     |                 | W min              | R             | D1           | D2   | L max      | H max                | T               |
| [mm]  |                 | [mm]               | [mm]          | [mm]         | [mm] | [mm]       | [mm]                 | [mm]            |
| 140   | <b>KAZ-P140</b> | 80                 | 54            | 40           | 50   | 216        | 90                   | 14              |

SPECIAL CHAINS  
SPEZIALKETTEN  
ŁAŃCUCHY SPECJALNE

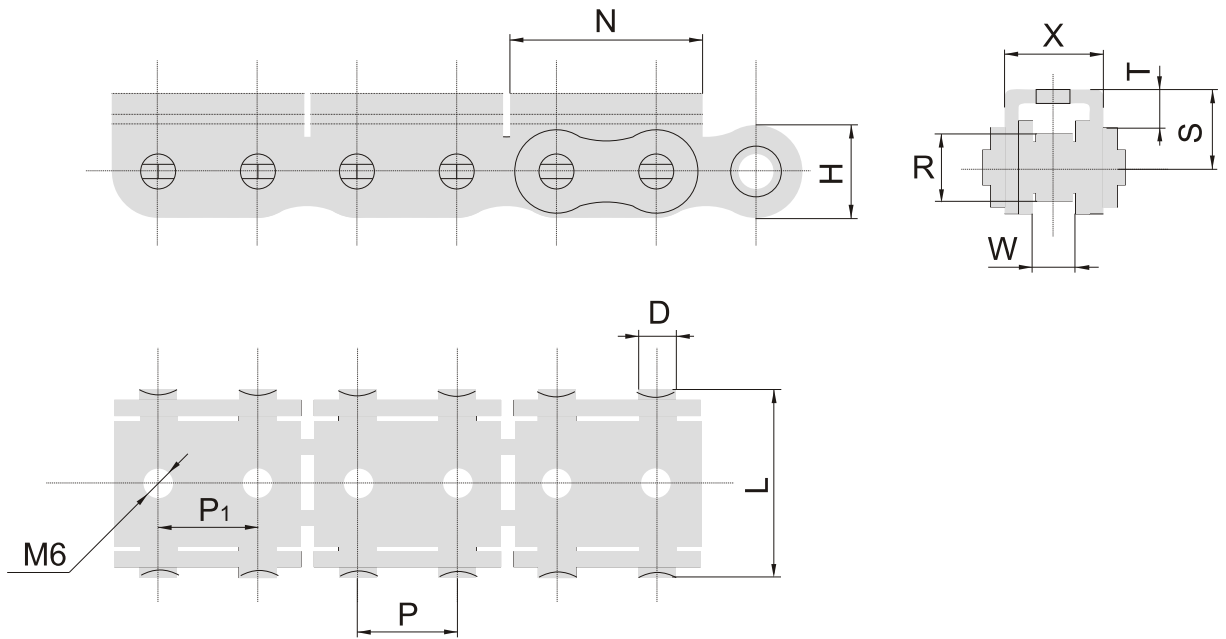


# TRANSPORT CHAINS

TRANSPORTKETTEN

ŁAŃCUCHY TRANSPORTOWE

SPECIAL CHAINS  
SPEZIALKETTEN  
ŁAŃCUCHY SPECJALNE

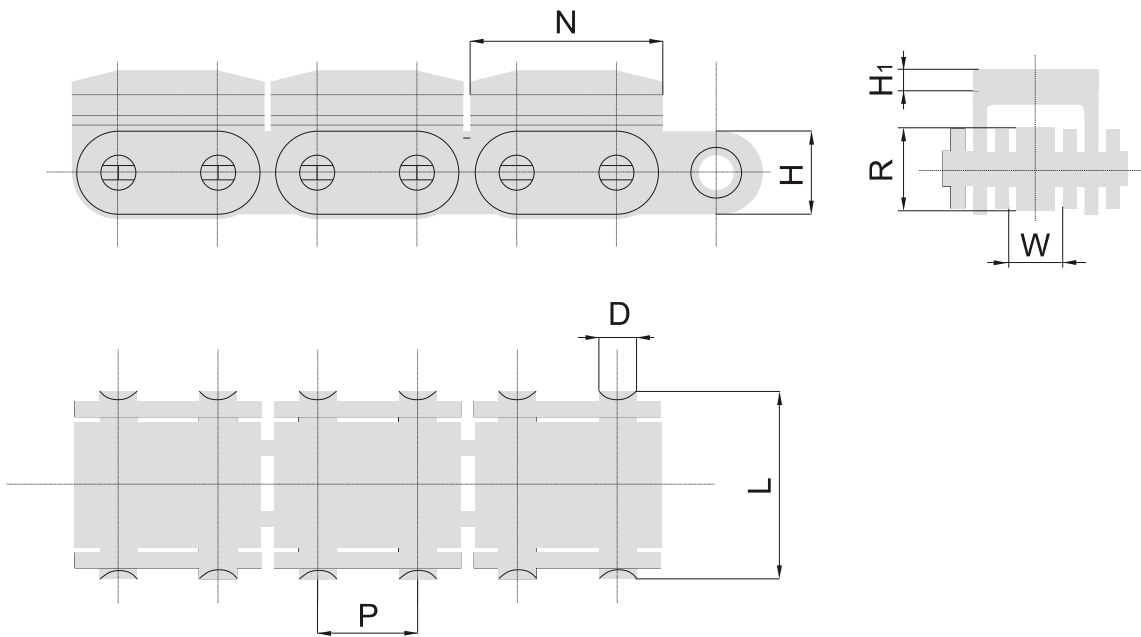


| Pitch | Model | Working dimensions | Roller dia. / Ø | Pin dia. / Ø | Pin length | Height of plate links | P1   | N    | X    | T     | S    | Tensile strength |       |
|-------|-------|--------------------|-----------------|--------------|------------|-----------------------|------|------|------|-------|------|------------------|-------|
| P     |       | W min              | R max           | D max        | L max      | H max                 |      |      |      |       |      | F <sub>B</sub>   |       |
| [mm]  | [in.] | [mm]               | [mm]            | [mm]         | [mm]       | [mm]                  | [mm] | [mm] | [mm] | [mm]  | [mm] | [N]              |       |
| 25,4  | 1"    | <b>KAZ-16B/P1</b>  | 17,02           | 15,88        | 8,28       | 40,1                  | 21,0 | 25   | 49   | 29,05 | 4,9  | 15,4             | 58000 |

# TRANSPORT CHAINS

TRANSPORTKETTEN

ŁAŃCUCHY TRANSPORTOWE



| Pitch |       | Model                | Working dimensions<br>W min | Roller dia. / Ø |       | Pin dia. / Ø |       | Height of plate links |                | Tensile strength<br>F <sub>B</sub> |
|-------|-------|----------------------|-----------------------------|-----------------|-------|--------------|-------|-----------------------|----------------|------------------------------------|
| P     |       |                      |                             | R max           | D max | H max        | L max | N                     | H <sub>1</sub> |                                    |
| [mm]  | [in.] |                      | [mm]                        | [mm]            | [mm]  | [mm]         | [mm]  | [mm]                  | [mm]           | [N]                                |
| 25,4  | 1"    | <b>KAZ-16B-1/UGS</b> | 17,02                       | 15,88           | 8,28  | 21           | 40,1  | 49                    | 6              | 58000                              |

SPECIAL CHAINS  
SPEZIALKETTEN  
ŁAŃCUCHY SPECJALNE

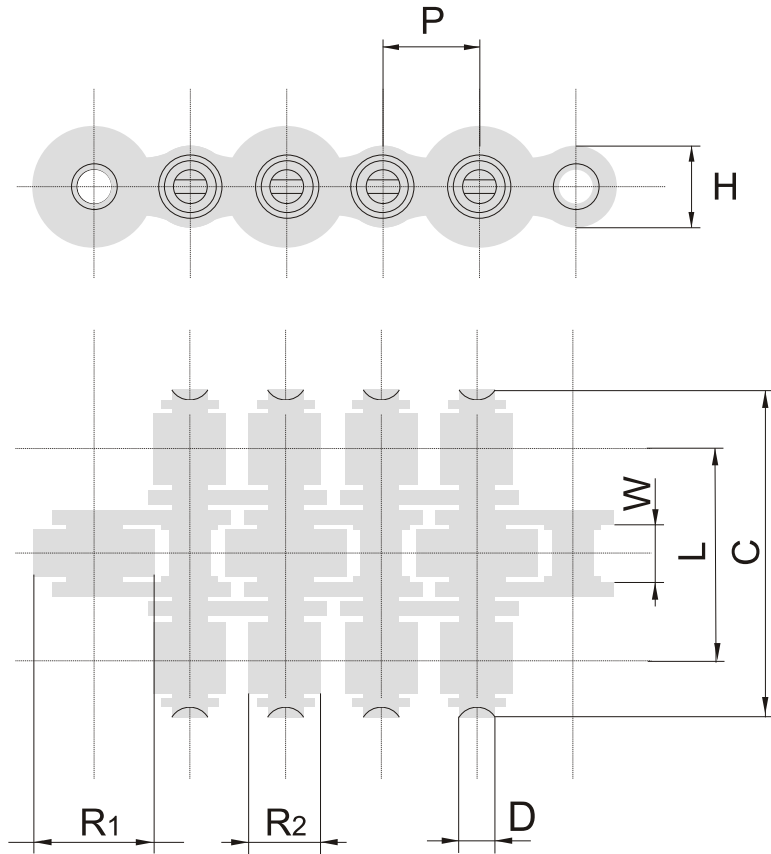


# TRANSPORT CHAINS

TRANSPORTKETTEN

ŁAŃCUCHY TRANSPORTOWE

SPECIAL CHAINS  
SPEZIALKETTEN  
ŁAŃCUCHY SPECJALNE



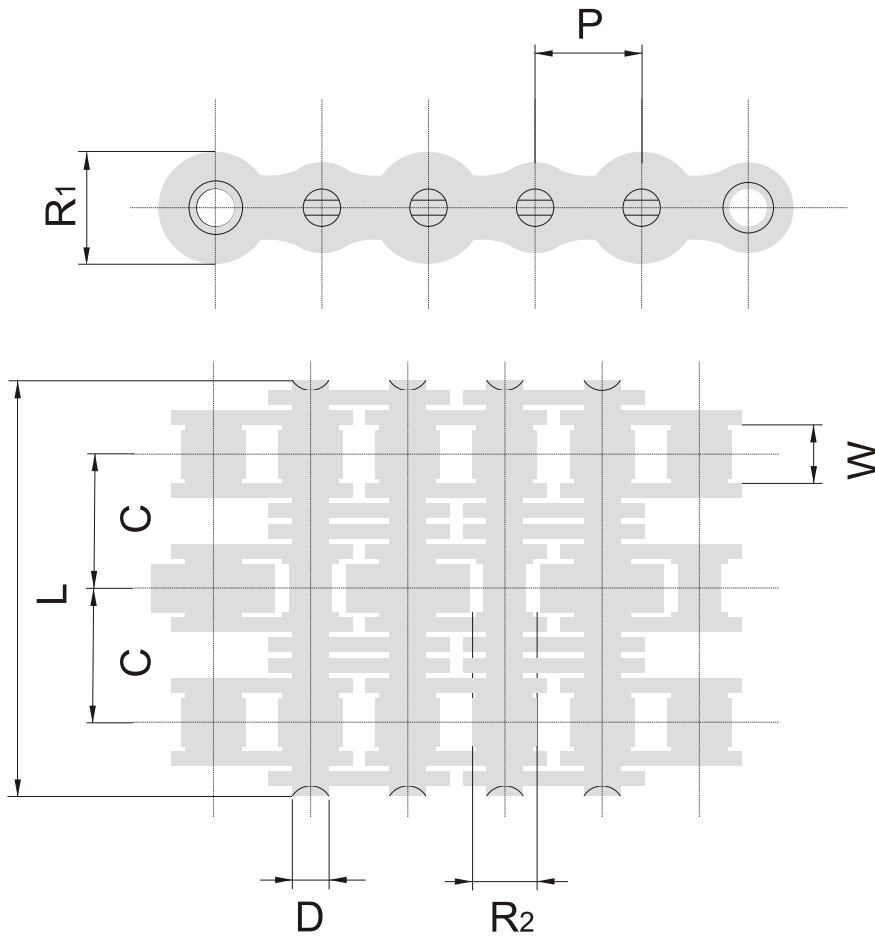
| Pitch      | Model                | Working dimensions | Roller dia. / Ø | Roller dia. / Ø | Pin dia. / Ø | Pin length | Axis spacing | Tensile strength | Weight |
|------------|----------------------|--------------------|-----------------|-----------------|--------------|------------|--------------|------------------|--------|
| P          |                      | W min              | R1 max          | R2 max          | D max        | L max      | C            | F <sub>B</sub>   | q      |
| [mm] [in.] |                      | [mm]               | [mm]            | [mm]            | [mm]         | [mm]       | [mm]         | [N]              | [kg/m] |
| 12,7 1/2"  | <b>KAZ-08B-1/S6</b>  | 7,75               | 16,0            | 8,51            | 4,47         | 27         | 19,1         | 18200            | 1,17   |
| 12,7 1/2"  | <b>KAZ-08B-1/S7</b>  | 7,75               | 16,0            | 8,51            | 4,47         | 33         | 22,0         | 18200            | 1,38   |
| 19,05 3/4" | <b>KAZ-12B-1/S1</b>  | 11,68              | 26,0            | 12,07           | 5,72         | 48         | 31,5         | 29500            | 3,5    |
| 19,05 3/4" | <b>KAZ-12B-1/S2</b>  | 11,68              | 26,0            | 12,07           | 5,72         | 43         | 29,2         | 29500            | 3,2    |
| 19,05 3/4" | <b>KAZ-12B-1/S2a</b> | 11,68              | 24,0            | 12,07           | 5,72         | 43         | 29,2         | 29500            | 2,8    |
| 19,05 3/4" | <b>KAZ-12B-1/S3</b>  | 11,68              | 28,0            | 12,07           | 5,72         | 40         | 27,0         | 29500            | 3,4    |
| 25,4 1"    | <b>KAZ-16B-1/S5</b>  | 17,02              | 38,5            | 15,88           | 8,28         | 65         | 44,9         | 58000            | 7,0    |



# TRANSPORT CHAINS

TRANSPORTKETTEN

ŁAŃCUCHY TRANSPORTOWE



| Pitch | Model | Working dimensions   | Roller dia. / Ø | Roller dia. / Ø | Pin dia. / Ø | Pin length | Axis spacing | Tensile strength |       |
|-------|-------|----------------------|-----------------|-----------------|--------------|------------|--------------|------------------|-------|
| P     |       | W min                | R1 max          | R2 max          | D max        | L max      | C            | F <sub>B</sub>   |       |
| [mm]  | [in.] | [mm]                 | [mm]            | [mm]            | [mm]         | [mm]       | [mm]         | [N]              |       |
| 19,05 | 3/4"  | <b>KAZ-12B-3/S2a</b> | 11,68           | 24              | 12,07        | 5,72       | 61,7         | 19,46            | 88500 |
| 19,05 | 3/4"  | <b>KAZ-12B-3/S2</b>  | 11,68           | 26              | 12,07        | 5,72       | 61,7         | 19,46            | 88500 |

SPECIAL CHAINS  
SPEZIALKETTEN  
ŁAŃCUCHY SPECJALNE

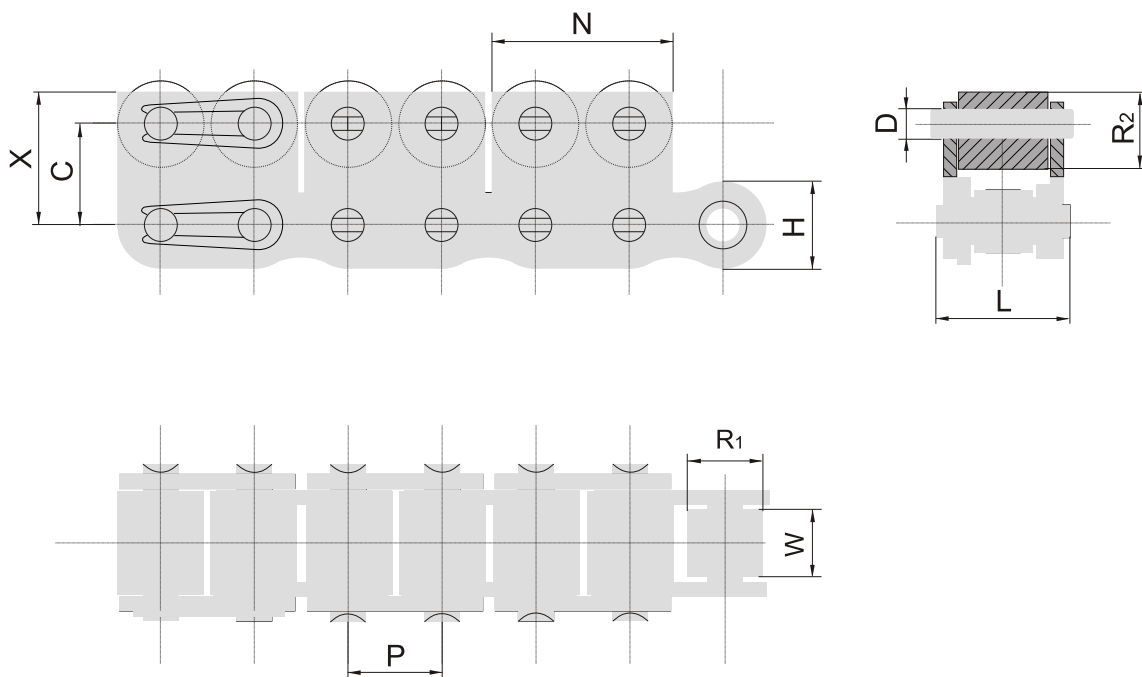


# TRANSPORT CHAINS

TRANSPORTKETTEN

ŁAŃCUCHY TRANSPORTOWE

SPECIAL CHAINS  
SPEZIALKETTEN  
ŁAŃCUCHY SPECJALNE

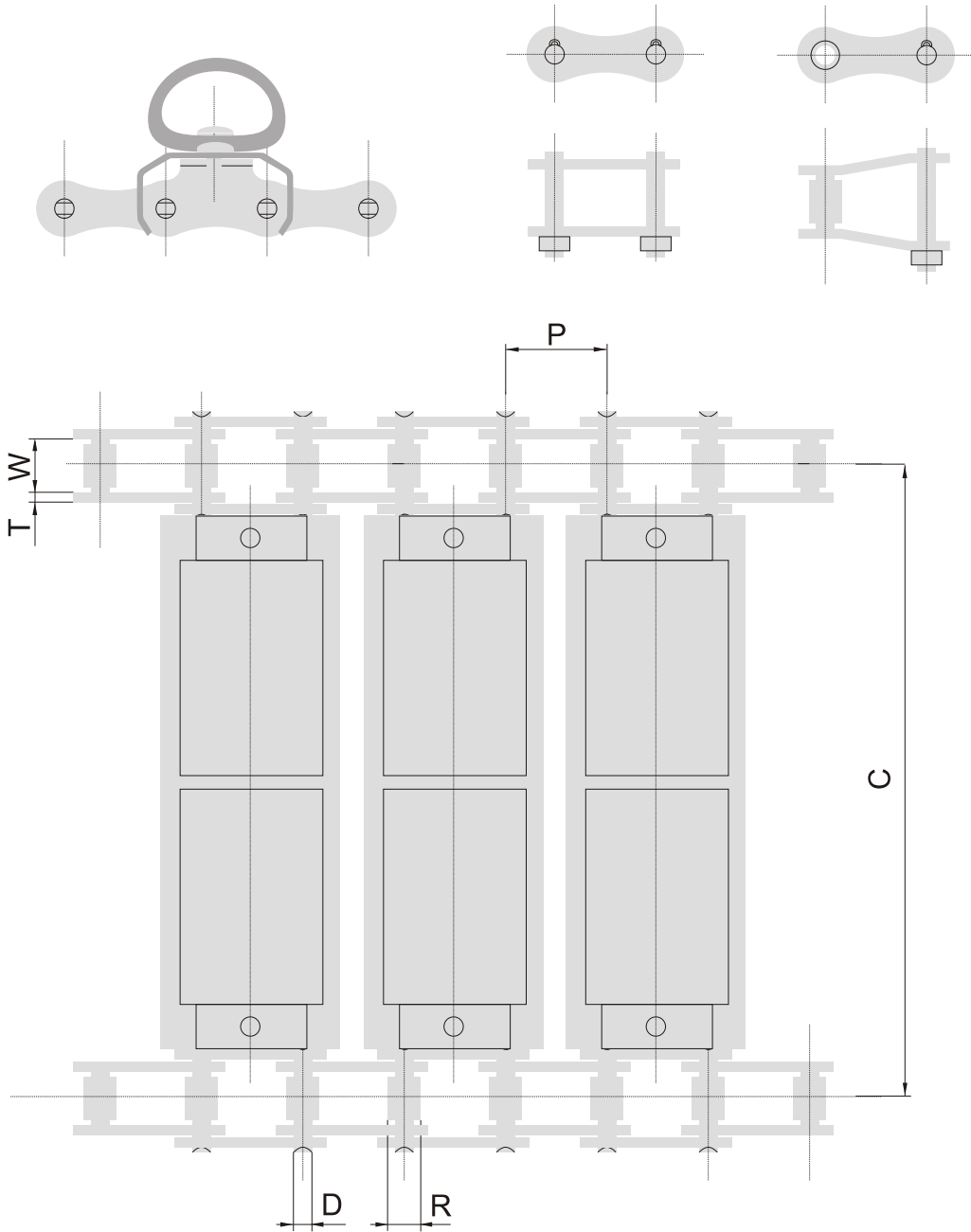


| Pitch | Model | Working dimensions | Roller dia. / Ø | Roller dia. / Ø | Pin dia. / Ø | Pin length | Height of plate links |      |      |      | Tensile strength |       |
|-------|-------|--------------------|-----------------|-----------------|--------------|------------|-----------------------|------|------|------|------------------|-------|
| P     |       | W min              | R1              | R2              | D max        | L max      | H max                 | C    | X    | N    | F <sub>B</sub>   |       |
| [mm]  | [in.] | [mm]               | [mm]            | [mm]            | [mm]         | [mm]       | [mm]                  | [mm] | [mm] | [mm] | [N]              |       |
| 15,88 | 5/8"  | <b>KAZ-10B/R1</b>  | 9,65            | 10,16           | 13           | 5,08       | 19,6                  | 14,2 | 15,8 | 20,6 | 28,4             | 22700 |

# TRANSPORT CHAINS

TRANSPORTKETTEN

ŁAŃCUCHY TRANSPORTOWE



| Pitch      | Model                | Working dimensions | Roller dia. / Ø | Pin dia. / Ø | T    | C    |
|------------|----------------------|--------------------|-----------------|--------------|------|------|
| P          |                      | W min              | R max           | D max        |      |      |
| [mm] [in.] |                      | [mm]               | [mm]            | [mm]         | [mm] | [mm] |
| 41,3 1"5/8 | <b>KAZ-S55X/TK-1</b> | 20                 | 15,88           | 8,28         | 3    | 1372 |

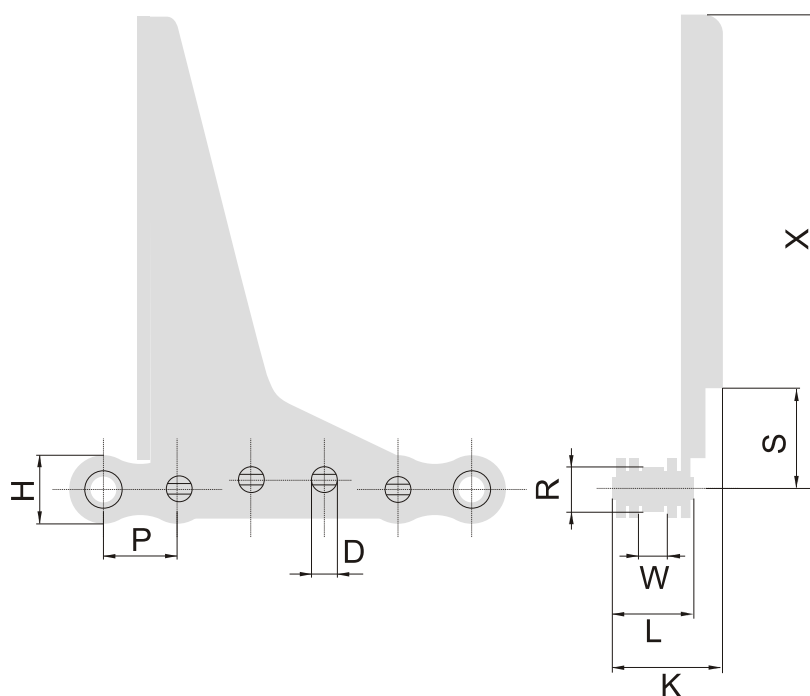
SPECIAL CHAINS  
SPEZIALKETTEN  
ŁAŃCUCHY SPECJALNE



# SPECIAL CHAINS WITH DRIVER

SPEZIALKETTEN MIT ABSTREIFER  
 ŁAŃCUCHY SPECJALNE Z ZABIERAKAMI

SPECIAL CHAINS  
 SPEZIALKETTEN  
 ŁAŃCUCHY SPECJALNE



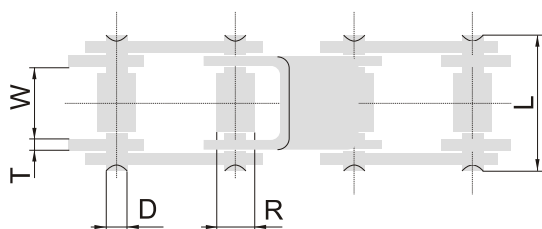
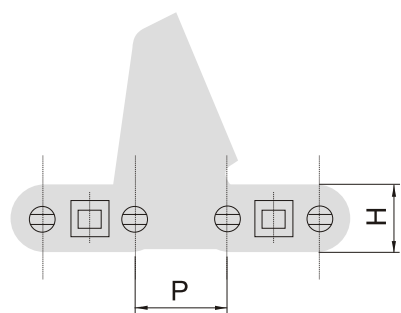
| Dimensions     | Model              | Pitch     | Working dimensions | Roller dia. / Ø | Pin dia. / Ø  | Width of plate links |           |               |           |           | Tensile strength      |
|----------------|--------------------|-----------|--------------------|-----------------|---------------|----------------------|-----------|---------------|-----------|-----------|-----------------------|
| P x W<br>[in.] |                    | P<br>[mm] | W min<br>[mm]      | R max<br>[mm]   | D max<br>[mm] | H max<br>[mm]        | L<br>[mm] | K max<br>[mm] | X<br>[mm] | S<br>[mm] | F <sub>B</sub><br>[N] |
| 1/2"x3/16"     | <b>KAZ 08X3/Z1</b> | 12,700    | 4,88               | 7,75            | 4,09          | 9,9                  | 10,8      | 16,0          | 85,0      | 17,5      | 8200                  |

# CHAINS WITH DRIVERS

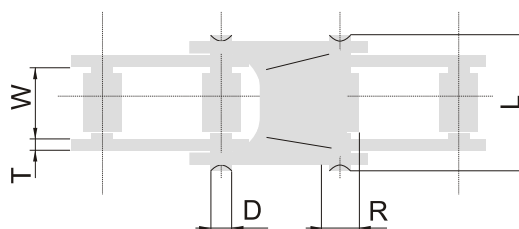
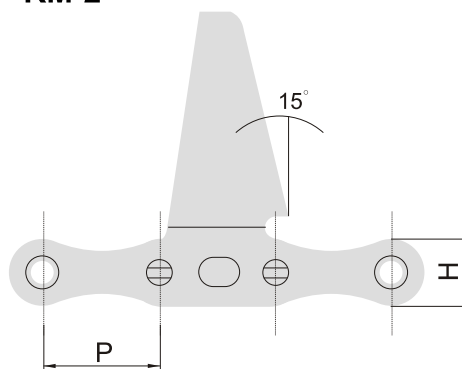
KETTEN MIT ABSTREIFER  
 ŁAŃCUCHY Z ZABIERAKAMI

SPECIAL CHAINS  
 SPEZIALKETTEN  
 ŁAŃCUCHY SPECJALNE

RM-1



RM-2



| Pitch | Model          | Working dimensions | Roller dia. / Ø | Pin dia. / Ø | Width of plate links | Pin length | Thickness plate | Tensile strength |
|-------|----------------|--------------------|-----------------|--------------|----------------------|------------|-----------------|------------------|
| P     |                | W min              | R max           | D max        | H max                | L max      | T               | F <sub>B</sub>   |
| [mm]  |                | [mm]               | [mm]            | [mm]         | [mm]                 | [mm]       | [mm]            | [N]              |
| 30    | <b>KAZ-RM1</b> | 20                 | 15,88           | 8,28         | 20,7                 | 35,3       | 3               | 40000            |
| 14,3  | <b>KAZ-RM2</b> | 20                 | 15,88           | 8,28         | 20                   | 38         | 3               | 50000            |



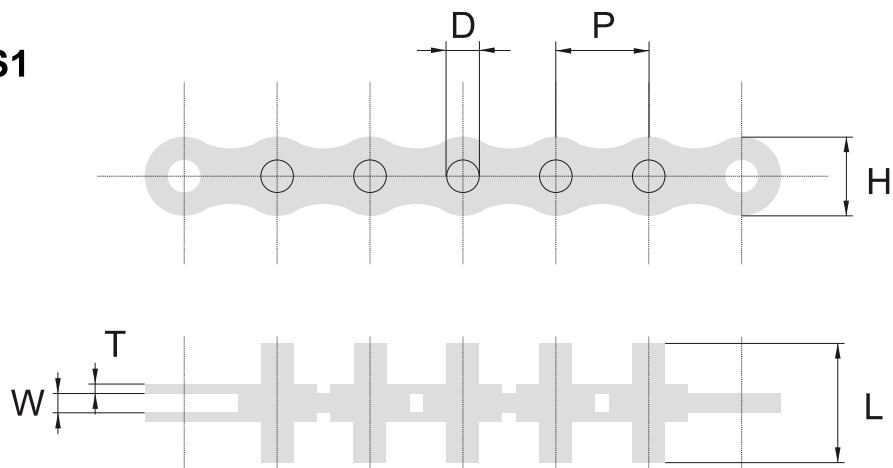
# SPECIAL CHAINS TO TUBULAR KEY

SPEZIALKETTEN FÜR ROHRSCHLÜSSEL

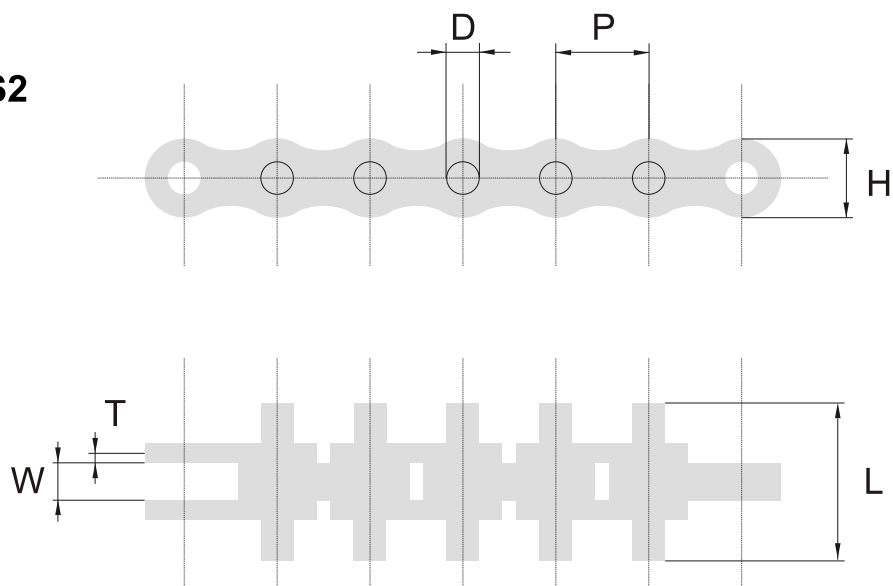
ŁAŃCUCHY SPECJALNE DO KLUCZA RUROWEGO

SPECIAL CHAINS  
SPEZIALKETTEN  
ŁAŃCUCHY SPECJALNE

**LPS1**



**LPS2**

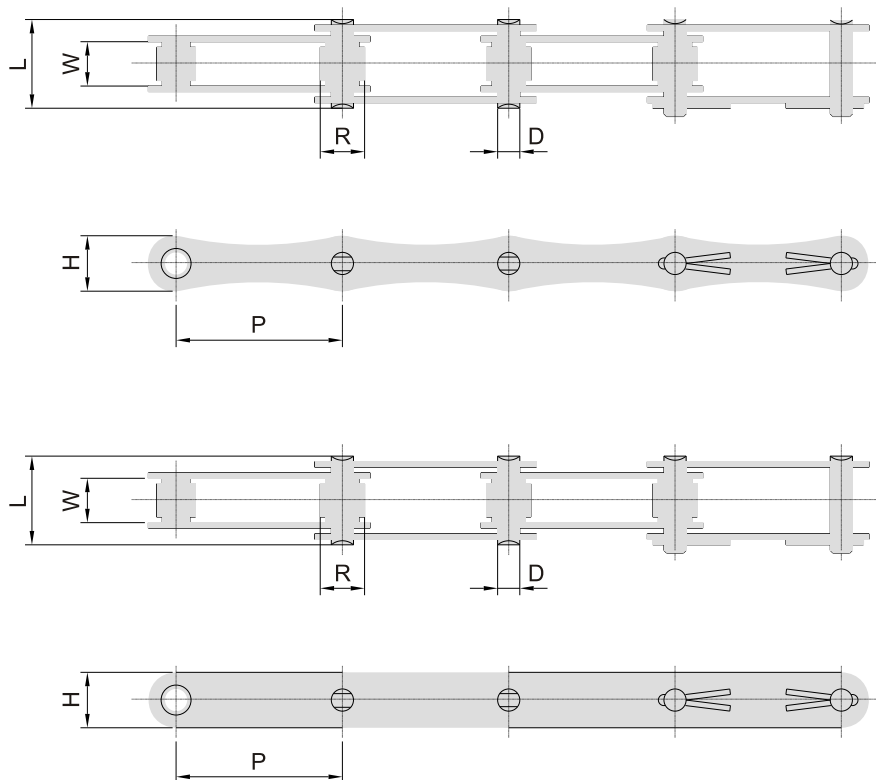


| Pitch  | Model           | Working dimensions | Thickness plate | Pin dia. / Ø | Pin length | Width of plate links | Tensile strength | Weight |
|--------|-----------------|--------------------|-----------------|--------------|------------|----------------------|------------------|--------|
| P      |                 | W min              | T               | D max        | L max      | H max                | F <sub>B</sub>   | q      |
| [mm]   |                 | [mm]               | [mm]            | [mm]         | [mm]       | [mm]                 | [N]              | [kg/m] |
| 19,050 | <b>KAZ-LPS1</b> | 3,75               | 1,8             | 5,52         | 18,7       | 14,9                 | 29500            | 1,48   |
| 15,875 | <b>KAZ-LPS2</b> | 6,2                | 1,45            | 5,08         | 29         | 12,5                 | 44500            | 0,96   |

# AGRICULTURAL CHAINS

LANDWIRTSCHAFTLICH KETTEN

ŁAŃCUCHY ROLNICZE



| ANSI         | Model            | Pitch  | Working dimensions |       | Roller dia. / Ø | Pin dia. / Ø | Height of plate links | Pin length          | Tensile strength | Approx. Weight |
|--------------|------------------|--------|--------------------|-------|-----------------|--------------|-----------------------|---------------------|------------------|----------------|
|              |                  | P      | W min              | R max | D max           | H max        | L                     | F <sub>B</sub> min. | q                |                |
|              |                  | [in]   | [in]               | [in]  | [in]            | [in]         | [in]                  | [lb]                | [lbs./ft.]       |                |
|              |                  | [mm]   | [mm]               | [mm]  | [mm]            | [mm]         | [mm]                  | [N]                 | [kg/m]           |                |
| <b>S32</b>   | <b>KAZ S32</b>   | 1,150  | 0,625              | 0,450 | 0,176           | 0,500        | 1,051                 | 2 200               | 0,51             |                |
|              |                  | 29,210 | 15,88              | 11,43 | 4,47            | 12,70        | 26,70                 | 9 780               | 0,76             |                |
| <b>S42</b>   | <b>KAZ S42</b>   | 1,375  | 0,750              | 0,562 | 0,276           | 0,752        | 1,350                 | 7 200               | 1,07             |                |
|              |                  | 34,930 | 19,05              | 14,27 | 7,01            | 19,10        | 34,30                 | 32 000              | 1,59             |                |
| <b>S45</b>   | <b>KAZ S45</b>   | 1,630  | 0,875              | 0,600 | 0,226           | 0,650        | 1,448                 | 5 000               | 0,98             |                |
|              |                  | 41,400 | 22,23              | 15,24 | 5,74            | 16,50        | 36,80                 | 22 230              | 1,46             |                |
| <b>S52</b>   | <b>KAZ S52</b>   | 1,500  | 0,875              | 0,600 | 0,226           | 0,650        | 1,448                 | 5 000               | 1,08             |                |
|              |                  | 38,100 | 22,23              | 15,24 | 5,74            | 16,50        | 36,80                 | 22 230              | 1,61             |                |
| <b>S55</b>   | <b>KAZ S55</b>   | 1,630  | 0,875              | 0,700 | 0,226           | 0,650        | 1,448                 | 7 000               | 1,11             |                |
|              |                  | 41,40  | 22,23              | 17,78 | 5,74            | 16,50        | 36,80                 | 31 130              | 1,65             |                |
| <b>S62</b>   | <b>KAZ S62</b>   | 1,650  | 1,000              | 0,750 | 0,226           | 0,669        | 1,598                 | 7 000               | 1,25             |                |
|              |                  | 41,91  | 25,40              | 19,05 | 5,74            | 17,00        | 40,60                 | 31 130              | 1,86             |                |
| <b>CA550</b> | <b>KAZ CA550</b> | 1,630  | 0,795              | 0,661 | 0,281           | 0,787        | 1,370                 | 12 500              | 1,33             |                |
|              |                  | 41,40  | 20,19              | 16,80 | 7,14            | 20,00        | 34,80                 | 55 590              | 1,98             |                |
| <b>CA620</b> | <b>KAZ CA620</b> | 1,654  | 0,984              | 0,696 | 0,281           | 0,787        | 1,662                 | 12 500              | 1,62             |                |
|              |                  | 42,01  | 25,00              | 17,68 | 7,14            | 20,00        | 42,20                 | 55 590              | 2,41             |                |

SPECIAL CHAINS  
SPEZIALKETTEN  
ŁAŃCUCHY SPECJALNE



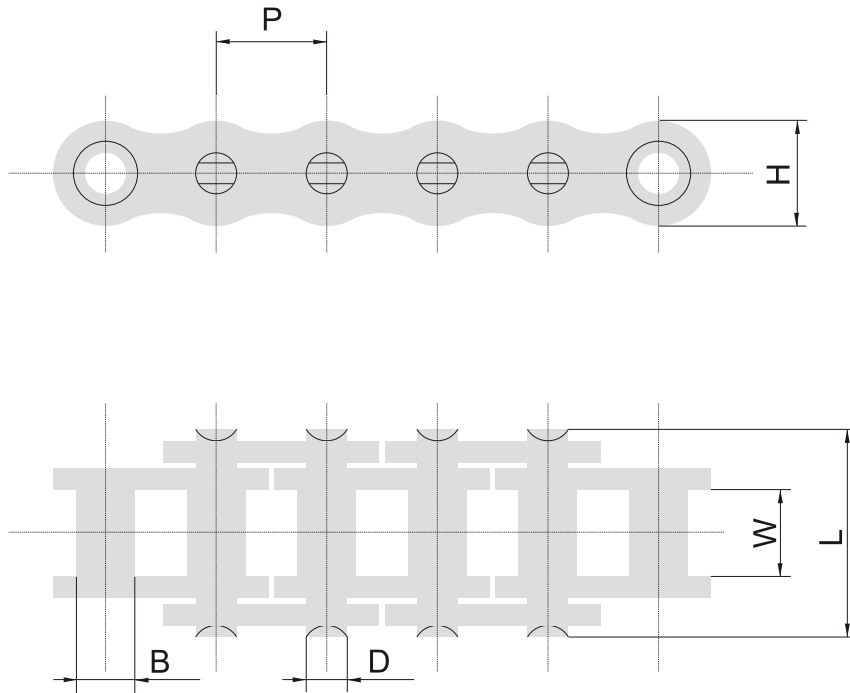


# BUSH CHAINS

HÜLSENKETTEN

ŁAŃCUCHY TULEJKOWE

SPECIAL CHAINS  
SPEZIALKETTEN  
ŁAŃCUCHY SPECJALNE



| ANSI       | Dimensins<br>P x W | Model          | Pitch<br>P     | Working<br>dimensions<br>W min | Roller<br>dia. / Ř<br>B max | Pin<br>dia. / Ř<br>D max | Height of<br>plate links<br>H max | Pin<br>length<br>L | Tensile<br>strength<br>F <sub>B</sub> min. | Approx.<br>Weight<br>q |
|------------|--------------------|----------------|----------------|--------------------------------|-----------------------------|--------------------------|-----------------------------------|--------------------|--|------------------------|
|            | [in]<br>[mm]       |                | [in]<br>[mm]   | [in]<br>[mm]                   | [in]<br>[mm]                | [in]<br>[mm]             | [in]<br>[mm]                      | [in]<br>[mm]       | [lb]<br>[N]                                | [lbs./ft.]<br>[kg/m]   |
| <b>65</b>  | 3/4" x 1/2"        | <b>KAZ 65</b>  | 0,750<br>19,05 | 0,500<br>12,70                 | 0,328<br>8,33               | 0,234<br>5,94            | 0,713<br>18,10                    | 1,012<br>25,70     | 7 150<br>31 800                            | 0,82<br>1,22           |
| <b>85</b>  | 1" x 5/8"          | <b>KAZ 85</b>  | 1,000<br>25,40 | 0,622<br>15,80                 | 0,446<br>11,32              | 0,312<br>7,92            | 0,945<br>24,00                    | 1,280<br>32,50     | 12 750<br>56 700                           | 1,43<br>2,13           |
| <b>105</b> | 1"1/4 x 3/4"       | <b>KAZ 105</b> | 1,250<br>31,75 | 0,748<br>19,00                 | 0,533<br>13,53              | 0,375<br>9,52            | 1,181<br>30,00                    | 1,583<br>40,20     | 19 900<br>88 500                           | 2,07<br>3,08           |
| <b>125</b> | 1"1/2 x 1"         | <b>KAZ 125</b> | 1,500<br>38,10 | 1,000<br>25,40                 | 0,624<br>15,84              | 0,437<br>11,10           | 1,421<br>36,10                    | 2,000<br>50,80     | 28 560<br>127 000                          | 3,06<br>4,55           |



# STOCK SPROCKETS

Ketteräden  
Koła łańcuchowe



## STOCK SPROCKETS

Ketteräden  
Koła łańcuchowe

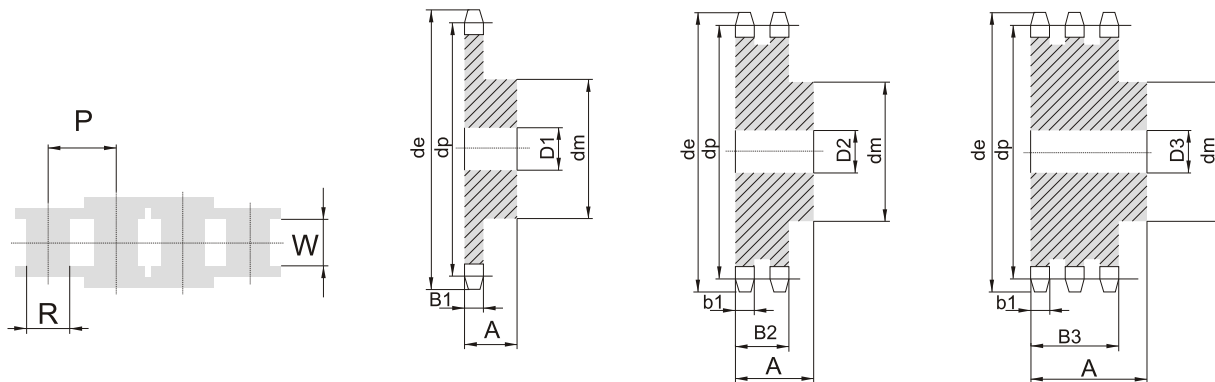
| Contents                          | Page  |
|-----------------------------------|-------|
| <i>European standard (Metric)</i> |       |
| 1/2" x 5/16"                      | L - 1 |
| 5/8" x 3/8"                       | L - 2 |
| 3/4" x 7/16"                      | L - 3 |
| 1" x 17,02mm                      | L - 4 |
| 1"1/4 x 3/4"                      | L - 5 |
| 1"1/2 x 1"                        | L - 6 |
| 1"3/4 x 1"1/4                     | L - 7 |
| 2" x 1"1/4                        | L - 8 |

# STOCK SPROCKETS 1/2" x 5/16"

EUROPEAN STANDARD (METRIC)

KETTENRÄDER

KOŁA ŁAŃCUCHOWE



| P     | W    | R    | B1   | b1   | B2    | B3    |
|-------|------|------|------|------|-------|-------|
| [mm]  | [mm] | [mm] | [mm] | [mm] | [mm]  | [mm]  |
| 12,70 | 7,75 | 8,51 | 7,20 | 7,00 | 21,00 | 34,90 |

| Z  | de    | dp     | J  | D  | T  |     |    |    |     |    |    |
|----|-------|--------|----|----|----|-----|----|----|-----|----|----|
|    |       |        | dm | D1 | A  | dm  | D2 | A  | dm  | D3 | A  |
| 8  | 38,0  | 33,18  | 20 | 10 | 25 | 20  | 10 | 32 | 20  | 10 | 46 |
| 9  | 42,0  | 37,13  | 24 | 10 | 25 | 24  | 10 | 32 | 24  | 12 | 46 |
| 10 | 45,9  | 41,10  | 26 | 10 | 25 | 28  | 10 | 32 | 28  | 12 | 46 |
| 11 | 49,9  | 45,07  | 29 | 10 | 25 | 32  | 12 | 35 | 32  | 16 | 50 |
| 12 | 53,9  | 49,07  | 33 | 10 | 28 | 35  | 12 | 35 | 35  | 16 | 50 |
| 13 | 57,9  | 53,06  | 37 | 10 | 28 | 38  | 12 | 35 | 38  | 16 | 50 |
| 14 | 61,9  | 57,07  | 41 | 10 | 28 | 42  | 12 | 35 | 42  | 16 | 50 |
| 15 | 65,9  | 61,09  | 45 | 10 | 28 | 46  | 12 | 35 | 46  | 16 | 50 |
| 16 | 69,9  | 65,10  | 50 | 12 | 28 | 50  | 16 | 38 | 50  | 16 | 50 |
| 17 | 74,0  | 69,11  | 52 | 12 | 28 | 54  | 16 | 38 | 54  | 16 | 50 |
| 18 | 78,0  | 73,14  | 56 | 12 | 28 | 58  | 16 | 38 | 58  | 16 | 50 |
| 19 | 82,0  | 77,16  | 60 | 12 | 28 | 62  | 16 | 38 | 62  | 16 | 50 |
| 20 | 86,0  | 81,19  | 64 | 12 | 28 | 66  | 16 | 38 | 66  | 16 | 50 |
| 21 | 90,1  | 85,22  | 68 | 14 | 28 | 70  | 16 | 40 | 70  | 16 | 55 |
| 22 | 94,1  | 89,24  | 70 | 14 | 28 | 70  | 16 | 40 | 70  | 16 | 55 |
| 23 | 98,1  | 93,27  | 70 | 14 | 28 | 70  | 16 | 40 | 70  | 16 | 55 |
| 24 | 102,1 | 97,29  | 70 | 14 | 28 | 75  | 16 | 40 | 75  | 16 | 55 |
| 25 | 106,2 | 101,33 | 70 | 14 | 28 | 80  | 16 | 40 | 80  | 16 | 55 |
| 26 | 110,2 | 105,36 | 70 | 16 | 30 | 85  | 16 | 40 | 85  | 20 | 55 |
| 27 | 114,2 | 109,40 | 70 | 16 | 30 | 85  | 16 | 40 | 85  | 20 | 55 |
| 28 | 118,3 | 113,42 | 70 | 16 | 30 | 90  | 16 | 40 | 90  | 20 | 55 |
| 29 | 122,3 | 117,46 | 80 | 16 | 30 | 95  | 16 | 40 | 95  | 20 | 55 |
| 30 | 126,3 | 121,50 | 80 | 16 | 30 | 100 | 16 | 40 | 100 | 20 | 55 |
| 31 | 130,4 | 125,54 | 90 | 16 | 30 | 100 | 20 | 40 | 110 | 20 | 55 |
| 32 | 134,4 | 129,56 | 90 | 16 | 30 | 100 | 20 | 40 | 110 | 20 | 55 |
| 33 | 138,4 | 133,60 | 90 | 16 | 30 | 100 | 20 | 40 | 110 | 20 | 55 |
| 34 | 142,5 | 137,64 | 90 | 16 | 30 | 100 | 20 | 40 | 110 | 20 | 55 |
| 35 | 146,5 | 141,68 | 90 | 16 | 30 | 100 | 20 | 40 | 110 | 20 | 55 |
| 36 | 190,6 | 145,72 | 90 | 16 | 35 | 100 | 20 | 40 | 120 | 25 | 55 |
| 37 | 154,6 | 149,76 | 90 | 16 | 35 | 100 | 20 | 40 | 120 | 25 | 55 |
| 38 | 158,6 | 153,80 | 90 | 16 | 35 | 100 | 20 | 40 | 120 | 25 | 55 |
| 39 | 162,7 | 157,83 | 90 | 16 | 35 | 100 | 20 | 40 | 120 | 25 | 55 |
| 40 | 166,7 | 161,87 | 90 | 16 | 35 | 100 | 20 | 40 | 120 | 25 | 55 |

STOCK SPROCKETS  
KETTENRÄDER  
KOŁA ŁAŃCUCHOWE



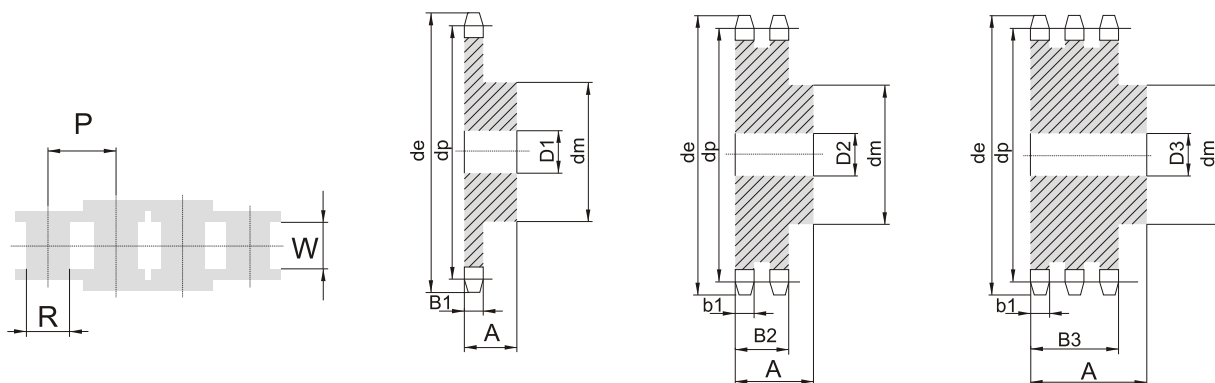


# STOCK SPROCKETS 5/8" x 3/8"

EUROPEAN STANDARD (METRIC)

KETTENRÄDER

KOŁA ŁAŃCUCHOWE



| P      | W    | R     | B1   | b1   | B2    | B3    |
|--------|------|-------|------|------|-------|-------|
| [mm]   | [mm] | [mm]  | [mm] | [mm] | [mm]  | [mm]  |
| 15,875 | 9,65 | 10,16 | 9,10 | 9,00 | 25,50 | 42,20 |

| Z  | de    | dp     | J   |    |    | D   |    |    | T   |    |    |
|----|-------|--------|-----|----|----|-----|----|----|-----|----|----|
|    |       |        | dm  | D1 | A  | dm  | D2 | A  | dm  | D3 | A  |
| 8  | 48,4  | 41,48  | 25  | 10 | 25 | 25  | 12 | 40 | 25  | 12 | 55 |
| 9  | 53,3  | 46,42  | 30  | 10 | 25 | 30  | 12 | 40 | 30  | 12 | 55 |
| 10 | 58,3  | 51,37  | 35  | 10 | 25 | 35  | 12 | 40 | 35  | 16 | 55 |
| 11 | 63,2  | 56,34  | 37  | 12 | 30 | 39  | 16 | 40 | 39  | 16 | 55 |
| 12 | 68,2  | 61,34  | 42  | 12 | 30 | 44  | 16 | 40 | 44  | 16 | 55 |
| 13 | 73,2  | 66,32  | 47  | 12 | 30 | 49  | 16 | 40 | 49  | 16 | 55 |
| 14 | 78,2  | 71,34  | 52  | 12 | 30 | 54  | 16 | 40 | 54  | 16 | 55 |
| 15 | 83,2  | 76,36  | 57  | 12 | 30 | 59  | 16 | 40 | 59  | 16 | 55 |
| 16 | 88,3  | 81,37  | 60  | 12 | 30 | 64  | 16 | 45 | 64  | 16 | 60 |
| 17 | 93,3  | 86,39  | 60  | 12 | 30 | 69  | 16 | 45 | 69  | 16 | 60 |
| 18 | 98,3  | 91,42  | 70  | 14 | 30 | 74  | 16 | 45 | 74  | 16 | 60 |
| 19 | 103,3 | 96,45  | 70  | 14 | 30 | 79  | 16 | 45 | 79  | 16 | 60 |
| 20 | 108,4 | 101,49 | 75  | 14 | 30 | 84  | 16 | 45 | 84  | 16 | 60 |
| 21 | 113,4 | 106,52 | 75  | 16 | 30 | 85  | 16 | 45 | 85  | 20 | 60 |
| 22 | 118,4 | 111,55 | 80  | 16 | 30 | 90  | 16 | 45 | 90  | 20 | 60 |
| 23 | 123,5 | 116,58 | 80  | 16 | 30 | 95  | 16 | 45 | 95  | 20 | 60 |
| 24 | 128,5 | 121,62 | 80  | 16 | 30 | 100 | 16 | 45 | 100 | 20 | 60 |
| 25 | 133,6 | 126,66 | 80  | 16 | 30 | 105 | 16 | 45 | 105 | 20 | 60 |
| 26 | 138,6 | 131,70 | 85  | 20 | 35 | 110 | 20 | 45 | 110 | 20 | 60 |
| 27 | 143,6 | 136,75 | 85  | 20 | 35 | 110 | 20 | 45 | 110 | 20 | 60 |
| 28 | 148,7 | 141,78 | 90  | 20 | 35 | 115 | 20 | 45 | 115 | 20 | 60 |
| 29 | 153,7 | 146,83 | 90  | 20 | 35 | 115 | 20 | 45 | 115 | 20 | 60 |
| 30 | 158,8 | 151,87 | 90  | 20 | 35 | 120 | 20 | 45 | 120 | 20 | 60 |
| 31 | 163,8 | 156,92 | 95  | 20 | 35 | 120 | 20 | 45 | 120 | 20 | 60 |
| 32 | 168,9 | 161,95 | 95  | 20 | 35 | 120 | 20 | 45 | 120 | 20 | 60 |
| 33 | 173,9 | 167,00 | 95  | 20 | 35 | 120 | 20 | 45 | 120 | 20 | 60 |
| 34 | 178,9 | 172,05 | 95  | 20 | 35 | 120 | 20 | 45 | 120 | 20 | 60 |
| 35 | 184,0 | 177,10 | 95  | 20 | 35 | 120 | 20 | 45 | 120 | 20 | 60 |
| 36 | 189,0 | 182,15 | 100 | 20 | 35 | 120 | 20 | 45 | 120 | 25 | 60 |
| 37 | 194,1 | 187,20 | 100 | 20 | 35 | 120 | 20 | 45 | 120 | 25 | 60 |
| 38 | 199,1 | 192,24 | 100 | 20 | 35 | 120 | 20 | 45 | 120 | 25 | 60 |
| 39 | 204,2 | 197,29 | 100 | 20 | 35 | 120 | 20 | 45 | 120 | 25 | 60 |
| 40 | 209,2 | 202,34 | 100 | 20 | 35 | 120 | 20 | 45 | 120 | 25 | 60 |

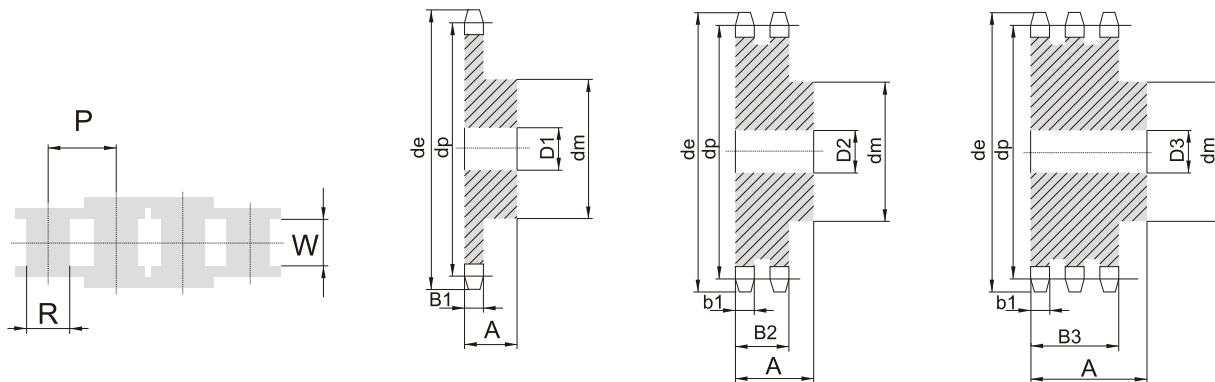


# STOCK SPROCKETS 3/4" x 7/16"

EUROPEAN STANDARD (METRIC)

KETTENRÄDER

KOŁA ŁAŃCUCHOWE



| P     | W     | R     | B1    | b1    | B2    | B3    |
|-------|-------|-------|-------|-------|-------|-------|
| [mm]  | [mm]  | [mm]  | [mm]  | [mm]  | [mm]  | [mm]  |
| 19,05 | 11,68 | 12,07 | 11,10 | 10,80 | 30,30 | 49,80 |

| Z  | de    | dp     | J   | D  | T  |     |    |    |     |    |    |
|----|-------|--------|-----|----|----|-----|----|----|-----|----|----|
|    |       |        | dm  | D1 | A  | dm  | D2 | A  | dm  | D3 | A  |
| 8  | 58,0  | 49,78  | 31  | 12 | 30 | 31  | 12 | 45 | 31  | 16 | 65 |
| 9  | 63,9  | 55,70  | 37  | 12 | 30 | 37  | 12 | 45 | 37  | 16 | 65 |
| 10 | 69,8  | 61,64  | 42  | 12 | 30 | 42  | 12 | 45 | 42  | 16 | 65 |
| 11 | 75,8  | 67,61  | 46  | 16 | 35 | 47  | 16 | 50 | 47  | 20 | 70 |
| 12 | 81,8  | 81,80  | 52  | 16 | 35 | 53  | 16 | 50 | 53  | 20 | 70 |
| 13 | 87,8  | 79,59  | 58  | 16 | 35 | 59  | 16 | 50 | 59  | 20 | 70 |
| 14 | 93,8  | 85,61  | 64  | 16 | 35 | 65  | 16 | 50 | 65  | 20 | 70 |
| 15 | 99,8  | 91,63  | 70  | 16 | 35 | 71  | 16 | 50 | 71  | 20 | 70 |
| 16 | 105,8 | 97,65  | 75  | 16 | 35 | 77  | 20 | 50 | 77  | 20 | 70 |
| 17 | 111,9 | 103,67 | 80  | 16 | 35 | 83  | 20 | 50 | 83  | 20 | 70 |
| 18 | 117,9 | 109,71 | 80  | 16 | 35 | 89  | 20 | 50 | 89  | 20 | 70 |
| 19 | 123,9 | 115,75 | 80  | 16 | 35 | 95  | 20 | 50 | 95  | 20 | 70 |
| 20 | 130,0 | 121,78 | 80  | 16 | 35 | 100 | 20 | 50 | 100 | 20 | 70 |
| 21 | 136,0 | 127,82 | 90  | 20 | 40 | 100 | 20 | 50 | 100 | 20 | 70 |
| 22 | 142,0 | 133,86 | 90  | 20 | 40 | 100 | 20 | 50 | 100 | 20 | 70 |
| 23 | 148,1 | 139,90 | 90  | 20 | 40 | 110 | 20 | 50 | 110 | 20 | 70 |
| 24 | 154,1 | 145,94 | 90  | 20 | 40 | 110 | 20 | 50 | 110 | 20 | 70 |
| 25 | 160,2 | 152,00 | 90  | 20 | 40 | 120 | 20 | 50 | 120 | 20 | 70 |
| 26 | 166,2 | 158,04 | 95  | 20 | 40 | 120 | 20 | 50 | 120 | 20 | 70 |
| 27 | 172,3 | 164,09 | 95  | 20 | 40 | 120 | 20 | 50 | 120 | 20 | 70 |
| 28 | 178,3 | 170,13 | 95  | 20 | 40 | 120 | 20 | 50 | 120 | 20 | 70 |
| 29 | 184,4 | 176,19 | 95  | 20 | 40 | 120 | 20 | 50 | 120 | 20 | 70 |
| 30 | 190,4 | 182,25 | 95  | 20 | 40 | 120 | 20 | 50 | 120 | 20 | 70 |
| 31 | 196,5 | 188,31 | 95  | 20 | 40 | 120 | 20 | 50 | 130 | 25 | 70 |
| 32 | 202,5 | 194,35 | 95  | 20 | 40 | 120 | 20 | 50 | 130 | 25 | 70 |
| 33 | 208,6 | 200,40 | 95  | 20 | 40 | 120 | 20 | 50 | 130 | 25 | 70 |
| 34 | 214,6 | 206,46 | 95  | 20 | 40 | 120 | 20 | 50 | 130 | 25 | 70 |
| 35 | 220,7 | 212,52 | 95  | 20 | 40 | 120 | 20 | 50 | 130 | 25 | 70 |
| 36 | 226,8 | 218,58 | 100 | 20 | 40 | 120 | 25 | 50 | 130 | 25 | 70 |
| 37 | 232,8 | 224,64 | 100 | 20 | 40 | 120 | 25 | 50 | 130 | 25 | 70 |
| 38 | 238,9 | 230,69 | 100 | 20 | 40 | 120 | 25 | 50 | 130 | 25 | 70 |
| 39 | 244,9 | 236,75 | 100 | 20 | 40 | 120 | 25 | 50 | 130 | 25 | 70 |
| 40 | 251,0 | 242,81 | 100 | 20 | 40 | 120 | 25 | 50 | 130 | 25 | 70 |

STOCK SPROCKETS  
KETTENRÄDER  
KOŁA ŁAŃCUCHOWE

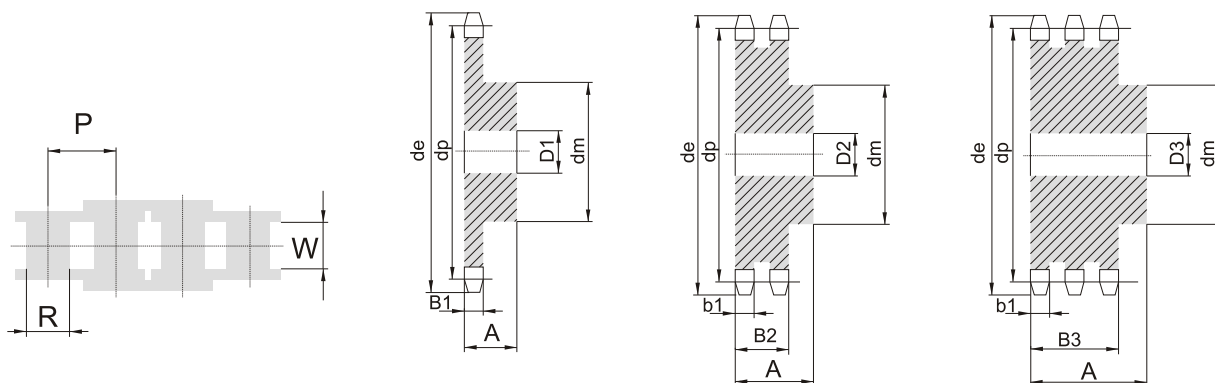


# STOCK SPROCKETS 1" x 17,02 mm

EUROPEAN STANDARD (METRIC)

KETTENRÄDER

KOŁA ŁAŃCUCHOWE



| P     | W     | R     | B1    | b1    | B2    | B3    |
|-------|-------|-------|-------|-------|-------|-------|
| [mm]  | [mm]  | [mm]  | [mm]  | [mm]  | [mm]  | [mm]  |
| 25,40 | 17,02 | 15,88 | 16,20 | 15,80 | 47,70 | 79,60 |

| Z  | de    | dp     | dm  | J  | D  | T   |    |    |     |    |     |
|----|-------|--------|-----|----|----|-----|----|----|-----|----|-----|
|    |       |        |     | D1 | A  | dm  | D2 | A  | dm  | D3 | A   |
| 8  | 77,9  | 66,37  | 42  | 16 | 35 | 42  | 20 | 65 | 42  | 20 | 95  |
| 9  | 85,8  | 74,27  | 50  | 16 | 35 | 50  | 20 | 65 | 50  | 20 | 95  |
| 10 | 93,8  | 82,19  | 55  | 16 | 35 | 56  | 20 | 65 | 56  | 20 | 95  |
| 11 | 101,7 | 90,14  | 61  | 16 | 40 | 64  | 20 | 70 | 64  | 25 | 100 |
| 12 | 109,7 | 98,14  | 69  | 16 | 40 | 72  | 20 | 70 | 72  | 25 | 100 |
| 13 | 117,7 | 106,12 | 78  | 16 | 40 | 80  | 20 | 70 | 80  | 25 | 100 |
| 14 | 125,7 | 114,15 | 84  | 16 | 40 | 88  | 20 | 70 | 88  | 25 | 100 |
| 15 | 133,7 | 122,17 | 92  | 16 | 40 | 96  | 20 | 70 | 96  | 25 | 100 |
| 16 | 141,8 | 130,20 | 100 | 20 | 45 | 104 | 20 | 70 | 104 | 25 | 100 |
| 17 | 149,8 | 138,22 | 100 | 20 | 45 | 112 | 20 | 70 | 112 | 25 | 100 |
| 18 | 157,8 | 146,28 | 100 | 20 | 45 | 120 | 20 | 70 | 120 | 25 | 100 |
| 19 | 165,9 | 154,33 | 100 | 20 | 45 | 128 | 20 | 70 | 128 | 25 | 100 |
| 20 | 173,9 | 162,38 | 100 | 20 | 45 | 130 | 20 | 70 | 130 | 25 | 100 |
| 21 | 182,0 | 170,43 | 110 | 20 | 50 | 130 | 25 | 70 | 130 | 25 | 100 |
| 22 | 190,1 | 178,48 | 110 | 20 | 50 | 130 | 25 | 70 | 130 | 25 | 100 |
| 23 | 198,1 | 186,53 | 110 | 20 | 50 | 130 | 25 | 70 | 130 | 25 | 100 |
| 24 | 206,2 | 194,59 | 110 | 20 | 50 | 130 | 25 | 70 | 130 | 25 | 100 |
| 25 | 214,2 | 202,66 | 110 | 20 | 50 | 130 | 25 | 70 | 130 | 25 | 100 |
| 26 | 222,3 | 210,72 | 120 | 20 | 50 | 130 | 25 | 70 | 130 | 30 | 100 |
| 27 | 230,4 | 218,79 | 120 | 20 | 50 | 130 | 25 | 70 | 130 | 30 | 100 |
| 28 | 238,4 | 226,85 | 120 | 20 | 50 | 130 | 25 | 70 | 130 | 30 | 100 |
| 29 | 246,5 | 234,92 | 120 | 20 | 50 | 130 | 25 | 70 | 130 | 30 | 100 |
| 30 | 254,6 | 243,00 | 120 | 20 | 50 | 130 | 25 | 70 | 130 | 30 | 100 |
| 31 | 262,6 | 231,08 | 120 | 25 | 50 | 140 | 25 | 70 | 140 | 30 | 100 |
| 32 | 270,7 | 259,13 | 120 | 25 | 50 | 140 | 25 | 70 | 140 | 30 | 100 |
| 33 | 278,8 | 267,21 | 120 | 25 | 50 | 140 | 25 | 70 | 140 | 30 | 100 |
| 34 | 286,9 | 275,28 | 120 | 25 | 50 | 140 | 25 | 70 | 140 | 30 | 100 |
| 35 | 294,9 | 283,36 | 120 | 25 | 50 | 140 | 25 | 70 | 140 | 30 | 100 |
| 36 | 303,0 | 291,44 | 120 | 25 | 50 | 140 | 25 | 70 | 140 | 30 | 100 |
| 37 | 311,1 | 299,51 | 120 | 25 | 50 | 140 | 25 | 70 | -   | -  | -   |
| 38 | 319,2 | 307,59 | 120 | 25 | 50 | 140 | 25 | 70 | 140 | 30 | 100 |
| 39 | 327,2 | 315,67 | 120 | 25 | 50 | 140 | 25 | 70 | -   | -  | -   |
| 40 | 335,3 | 323,73 | 120 | 25 | 50 | 140 | 25 | 70 | 140 | 30 | 100 |



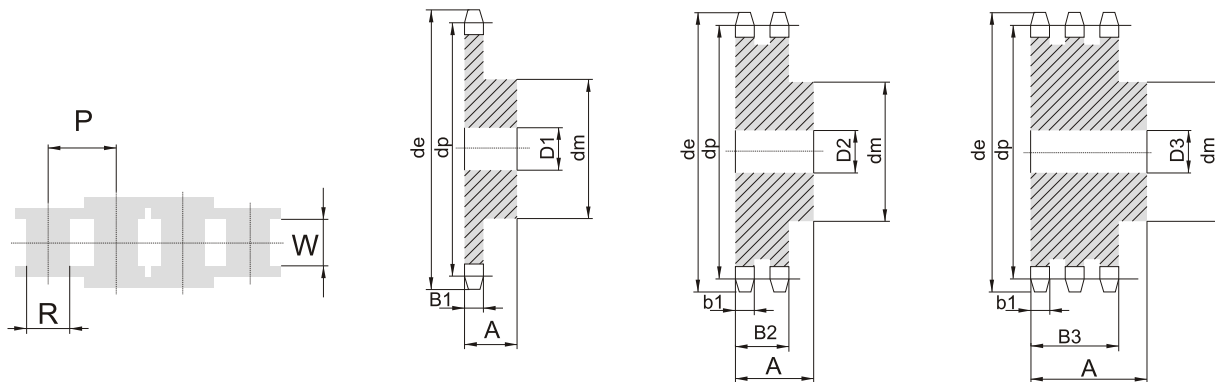


# STOCK SPROCKETS 1"1/4 x 3/4"

EUROPEAN STANDARD (METRIC)

KETTENRÄDER

KOŁA ŁAŃCUCHOWE



| P     | W     | R     | B1    | b1    | B2    | B3    |
|-------|-------|-------|-------|-------|-------|-------|
| [mm]  | [mm]  | [mm]  | [mm]  | [mm]  | [mm]  | [mm]  |
| 31,75 | 19,56 | 19,05 | 18,50 | 18,20 | 54,60 | 91,00 |

| Z  | de    | dp     | J         | D          | T          |
|----|-------|--------|-----------|------------|------------|
|    |       |        | dm D1 A   | dm D2 A dm | D3 A       |
| 8  | 96,0  | 82,96  | 53 20 40  | 53 20 75   | 25 110     |
| 9  | 106,5 | 92,84  | 63 20 40  | 63 20 75   | 63 25 110  |
| 10 | 117,0 | 102,74 | 70 20 40  | 70 20 75   | 70 25 110  |
| 11 | 127,0 | 112,68 | 77 20 45  | 80 25 80   | 80 30 115  |
| 12 | 137,0 | 122,68 | 88 20 45  | 90 25 80   | 90 30 115  |
| 13 | 147,5 | 132,65 | 98 20 45  | 100 25 80  | 100 30 115 |
| 14 | 157,6 | 142,68 | 108 20 45 | 110 25 80  | 110 30 115 |
| 15 | 167,7 | 152,72 | 118 20 45 | 120 25 80  | 120 30 115 |
| 16 | 177,7 | 162,75 | 120 25 50 | 120 30 80  | 120 30 115 |
| 17 | 187,8 | 172,78 | 120 25 50 | 120 30 80  | 120 30 115 |
| 18 | 197,8 | 182,85 | 120 25 50 | 120 30 80  | 120 30 115 |
| 19 | 207,9 | 192,91 | 120 25 50 | 120 30 80  | 120 30 115 |
| 20 | 217,9 | 202,98 | 120 25 50 | 120 30 80  | 120 30 115 |
| 21 | 228,0 | 213,04 | 140 25 55 | 140 30 80  | 140 30 115 |
| 22 | 238,1 | 223,11 | 140 25 55 | 140 30 80  | 140 30 115 |
| 23 | 248,2 | 233,17 | 140 25 55 | 140 30 80  | 140 30 115 |
| 24 | 258,3 | 243,23 | 140 25 55 | 140 30 80  | 140 30 115 |
| 25 | 268,4 | 253,33 | 140 25 55 | 140 30 80  | 140 30 115 |
| 26 | 278,4 | 263,40 | 150 30 55 | 150 30 80  | 150 30 115 |
| 27 | 288,5 | 273,48 | 150 30 55 | 150 30 80  | 150 30 115 |
| 28 | 298,5 | 283,56 | 150 30 55 | 150 30 80  | 150 30 115 |
| 29 | 308,6 | 293,65 | 150 30 55 | 150 30 80  | - - -      |
| 30 | 318,7 | 303,75 | 150 30 55 | 150 30 80  | 150 30 115 |
| 31 | 328,8 | 313,85 | 150 30 55 | 150 30 80  | - - -      |
| 32 | 338,9 | 323,91 | 150 30 55 | 150 30 80  | 150 30 115 |
| 33 | 349,0 | 334,01 | 150 30 55 | - - -      | 150 30 115 |
| 34 | 359,1 | 344,10 | 150 30 55 | 150 30 80  | 150 30 115 |
| 35 | 369,2 | 354,20 | 150 30 55 | 150 30 80  | 150 30 115 |
| 36 | 379,2 | 364,30 | 150 30 55 | 150 30 80  | 150 30 115 |
| 37 | 389,3 | 374,39 | 150 30 55 | - - -      | 150 30 115 |
| 38 | 399,4 | 384,49 | 150 30 55 | 150 30 80  | 150 30 115 |
| 39 | 409,5 | 394,59 | 150 30 55 | - - -      | - - -      |
| 40 | 419,6 | 404,66 | 150 30 55 | 150 30 80  | 150 30 115 |

STOCK SPROCKETS  
KETTENRÄDER  
KOŁA ŁAŃCUCHOWE

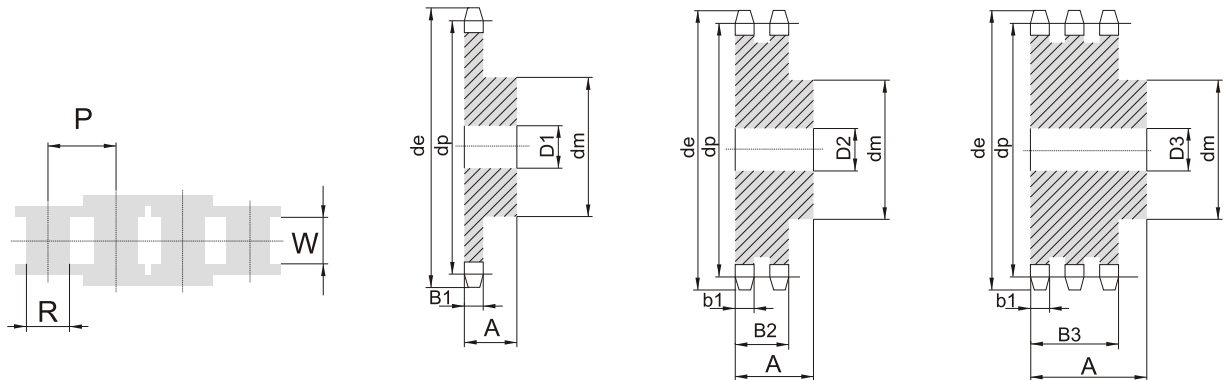


# STOCK SPROCKETS 1"1/2 x 1"

EUROPEAN STANDARD (METRIC)

KETTENRÄDER

KOŁA ŁAŃCUCHOWE



| P     | W     | R     | B1    | b1    | B2    | B3     |
|-------|-------|-------|-------|-------|-------|--------|
| [mm]  | [mm]  | [mm]  | [mm]  | [mm]  | [mm]  | [mm]   |
| 38,10 | 25,40 | 25,40 | 24,10 | 23,60 | 72,00 | 120,30 |

| Z  | de    | dp     | dm  | J  | D  | T   | A  |     |     |    |     |
|----|-------|--------|-----|----|----|-----|----|-----|-----|----|-----|
|    |       |        |     | D1 | A  | dm  | D2 | A   | dm  | D3 | A   |
| 8  | 113,0 | 99,55  | 58  | 20 | 45 | 58  | 25 | 95  | 58  | 25 | 140 |
| 9  | 125,0 | 111,40 | 70  | 20 | 45 | 70  | 25 | 95  | 70  | 25 | 140 |
| 10 | 137,0 | 123,29 | 80  | 20 | 45 | 80  | 25 | 95  | 80  | 25 | 140 |
| 11 | 149,0 | 135,21 | 90  | 25 | 50 | 90  | 25 | 100 | 90  | 30 | 150 |
| 12 | 161,0 | 147,22 | 102 | 25 | 50 | 102 | 25 | 100 | 102 | 30 | 150 |
| 13 | 173,0 | 159,18 | 114 | 25 | 50 | 114 | 25 | 100 | 114 | 30 | 150 |
| 14 | 185,0 | 171,22 | 128 | 25 | 50 | 128 | 25 | 100 | 128 | 30 | 150 |
| 15 | 197,0 | 183,26 | 132 | 25 | 50 | 132 | 25 | 100 | 132 | 30 | 150 |
| 16 | 209,0 | 195,30 | 136 | 25 | 55 | 136 | 30 | 100 | 136 | 30 | 150 |
| 17 | 221,0 | 207,34 | 136 | 25 | 55 | 136 | 30 | 100 | 136 | 30 | 150 |
| 18 | 233,0 | 219,42 | 136 | 25 | 55 | 160 | 30 | 100 | 160 | 30 | 150 |
| 19 | 245,5 | 231,49 | 136 | 25 | 55 | 160 | 30 | 100 | 160 | 30 | 150 |
| 20 | 257,5 | 243,57 | 136 | 25 | 55 | 160 | 30 | 100 | 160 | 30 | 150 |
| 21 | 270,5 | 255,65 | 150 | 30 | 60 | 160 | 30 | 100 | 160 | 40 | 150 |
| 22 | 282,5 | 267,73 | 150 | 30 | 60 | 160 | 30 | 100 | 160 | 40 | 150 |
| 23 | 294,5 | 279,80 | 150 | 30 | 60 | 160 | 30 | 100 | 160 | 40 | 150 |
| 24 | 307,0 | 291,88 | 150 | 30 | 60 | 160 | 30 | 100 | 160 | 40 | 150 |
| 25 | 319,0 | 304,00 | 150 | 30 | 60 | 160 | 30 | 100 | 160 | 40 | 150 |
| 26 | 331,0 | 316,08 | 150 | 30 | 60 | 160 | 30 | 100 | 160 | 40 | 150 |
| 27 | 343,0 | 328,19 | 150 | 30 | 60 | 160 | 30 | 100 | 160 | 40 | 150 |
| 28 | 355,0 | 340,27 | 150 | 30 | 60 | 160 | 30 | 100 | 160 | 40 | 150 |
| 29 | 367,5 | 352,38 | 150 | 30 | 60 | 160 | 30 | 100 | -   | -  | -   |
| 30 | 379,5 | 364,50 | 150 | 30 | 60 | 160 | 30 | 100 | 160 | 40 | 150 |
| 31 | 391,5 | 376,62 | 150 | 30 | 60 | 160 | 40 | 100 | -   | -  | -   |
| 32 | 403,5 | 388,69 | 150 | 30 | 60 | 160 | 40 | 100 | 160 | 40 | 150 |
| 33 | 415,5 | 400,81 | 150 | 30 | 60 | 160 | 40 | 100 | -   | -  | -   |
| 34 | 428,0 | 412,93 | 150 | 30 | 60 | 160 | 40 | 100 | -   | -  | -   |
| 35 | 440,0 | 425,04 | 150 | 30 | 60 | 160 | 40 | 100 | 160 | 40 | 150 |
| 36 | 452,0 | 437,16 | 150 | 30 | 60 | 160 | 40 | 100 | -   | -  | -   |
| 37 | 464,0 | 449,27 | 150 | 30 | 60 | 160 | 40 | 100 | -   | -  | -   |
| 38 | 476,5 | 461,39 | 150 | 30 | 60 | 160 | 40 | 100 | 160 | 40 | 150 |
| 39 | 488,5 | 473,50 | -   | -  | -  | -   | -  | -   | -   | -  | -   |
| 40 | 501,5 | 485,62 | 150 | 30 | 60 | 160 | 40 | 100 | 160 | 40 | 150 |

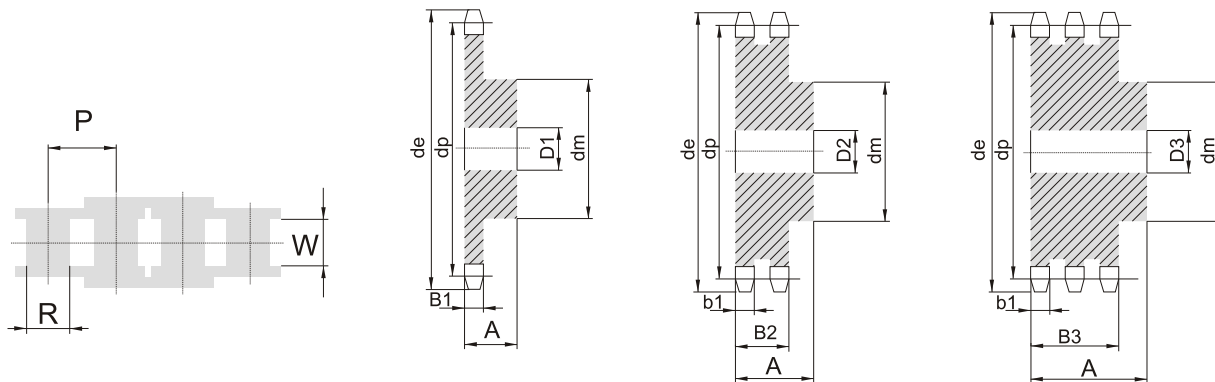


# STOCK SPROCKETS 1"3/4 x 1"1/4

EUROPEAN STANDARD (METRIC)

KETTENRÄDER

KOŁA ŁAŃCUCHOWE



| P     | W     | R     | B1    | b1    | B2    | B3     |
|-------|-------|-------|-------|-------|-------|--------|
| [mm]  | [mm]  | [mm]  | [mm]  | [mm]  | [mm]  | [mm]   |
| 44,45 | 30,99 | 27,94 | 29,40 | 28,80 | 88,40 | 148,00 |

| Z  | de    | dp     | dm  | J  | D  | T   |    |     |     |    |     |
|----|-------|--------|-----|----|----|-----|----|-----|-----|----|-----|
|    |       |        |     | D1 | A  | D2  | A  | dm  | D3  | A  |     |
| 8  | 132,0 | 116,15 | 74  | 25 | 70 | 74  | 30 | 120 | 74  | 30 | 180 |
| 9  | 146,0 | 129,96 | 88  | 25 | 70 | 88  | 30 | 120 | 88  | 30 | 180 |
| 10 | 160,0 | 143,85 | 100 | 25 | 70 | 100 | 30 | 120 | 100 | 30 | 180 |
| 11 | 174,0 | 157,77 | 112 | 25 | 70 | 112 | 30 | 120 | 112 | 30 | 180 |
| 12 | 188,0 | 171,74 | 125 | 25 | 70 | 125 | 30 | 120 | 125 | 30 | 180 |
| 13 | 204,0 | 185,75 | 125 | 25 | 70 | 125 | 30 | 120 | 125 | 30 | 180 |
| 14 | 218,0 | 199,76 | 125 | 25 | 70 | 125 | 30 | 120 | 125 | 30 | 180 |
| 15 | 232,0 | 213,79 | 125 | 25 | 70 | 145 | 30 | 120 | 145 | 30 | 180 |
| 16 | 246,0 | 227,84 | 160 | 30 | 75 | 160 | 30 | 120 | 160 | 30 | 180 |
| 17 | 260,0 | 241,90 | 160 | 30 | 75 | 160 | 30 | 120 | 160 | 30 | 180 |
| 18 | 274,0 | 255,98 | 160 | 30 | 75 | 160 | 30 | 120 | 160 | 30 | 180 |
| 19 | 289,0 | 270,06 | 160 | 30 | 75 | 180 | 30 | 120 | 180 | 30 | 180 |
| 20 | 303,0 | 284,15 | 160 | 30 | 75 | 180 | 30 | 120 | 180 | 30 | 180 |
| 21 | 317,0 | 298,24 | 160 | 30 | 75 | 180 | 30 | 120 | 180 | 40 | 180 |
| 22 | 331,0 | 312,34 | 160 | 30 | 75 | 180 | 30 | 120 | -   | -  | -   |
| 23 | 345,0 | 326,44 | 160 | 30 | 75 | 180 | 30 | 120 | 180 | 40 | 180 |
| 24 | 359,0 | 340,55 | 160 | 30 | 75 | 180 | 30 | 120 | -   | -  | -   |
| 25 | 373,0 | 354,66 | 160 | 30 | 75 | 180 | 30 | 120 | 180 | 40 | 180 |
| 26 | 387,0 | 368,77 | 160 | 30 | 75 | 180 | 40 | 120 | -   | -  | -   |
| 27 | 401,0 | 382,88 | 160 | 30 | 75 | -   | -  | -   | -   | -  | -   |
| 28 | 416,0 | 397,00 | 160 | 30 | 75 | 180 | 40 | 120 | -   | -  | -   |
| 29 | 430,0 | 411,12 | -   | -  | -  | -   | -  | -   | -   | -  | -   |
| 30 | 444,0 | 425,24 | 160 | 30 | 75 | 180 | 40 | 120 | 180 | 40 | 180 |
| 31 | 458,0 | 439,37 | -   | -  | -  | -   | -  | -   | -   | -  | -   |
| 32 | 472,0 | 453,49 | 180 | 30 | 75 | -   | -  | -   | -   | -  | -   |
| 33 | 486,0 | 467,62 | -   | -  | -  | -   | -  | -   | -   | -  | -   |
| 34 | 500,0 | 481,75 | 180 | 30 | 75 | -   | -  | -   | -   | -  | -   |
| 35 | 514,0 | 495,88 | 180 | 30 | 75 | 200 | 40 | 120 | -   | -  | -   |
| 36 | 529,0 | 510,01 | 180 | 30 | 75 | -   | -  | -   | -   | -  | -   |
| 37 | 543,0 | 524,13 | -   | -  | -  | -   | -  | -   | -   | -  | -   |

STOCK SPROCKETS  
KETTENRÄDER  
KOŁA ŁAŃCUCHOWE

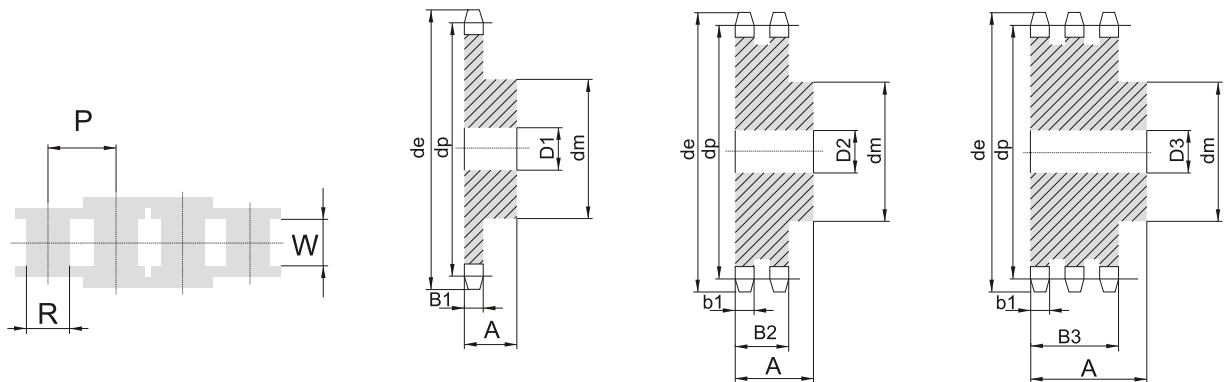


# STOCK SPROCKETS 2" x 1"1/4

EUROPEAN STANDARD (METRIC)

KETTENRÄDER

KOŁA ŁAŃCUCHOWE



| P     | W     | R     | B1    | b1    | B2    | B3     |
|-------|-------|-------|-------|-------|-------|--------|
| [mm]  | [mm]  | [mm]  | [mm]  | [mm]  | [mm]  | [mm]   |
| 50,80 | 30,99 | 29,21 | 29,40 | 28,80 | 87,40 | 146,00 |

| Z  | de    | dp     | dm  | J  | D  | T   |
|----|-------|--------|-----|----|----|-----|
|    |       |        | D1  | A  | D2 | A   |
| 8  | 152,0 | 132,74 | 85  | 30 | 80 | 85  |
| 9  | 168,0 | 148,54 | 100 | 30 | 80 | 100 |
| 10 | 184,0 | 164,39 | 115 | 30 | 80 | 115 |
| 11 | 200,0 | 180,31 | 125 | 30 | 80 | 125 |
| 12 | 216,0 | 196,29 | 133 | 30 | 80 | 133 |
| 13 | 235,0 | 212,29 | 145 | 30 | 80 | 145 |
| 14 | 251,0 | 228,29 | 145 | 30 | 80 | 145 |
| 15 | 267,0 | 244,30 | 145 | 30 | 80 | 160 |
| 16 | 283,0 | 260,40 | 160 | 30 | 90 | 160 |
| 17 | 299,0 | 276,46 | 160 | 30 | 90 | 180 |
| 18 | 315,0 | 292,55 | 160 | 30 | 90 | 180 |
| 19 | 331,0 | 308,66 | 160 | 30 | 90 | 200 |
| 20 | 347,0 | 324,71 | 180 | 40 | 90 | 200 |
| 21 | 363,0 | 340,82 | 180 | 40 | 90 | 200 |
| 22 | 379,0 | 356,98 | 180 | 40 | 90 | 200 |
| 23 | 396,0 | 373,08 | 180 | 40 | 90 | 200 |
| 24 | 412,0 | 389,18 | 180 | 40 | 90 | 200 |
| 25 | 428,0 | 405,33 | 180 | 40 | 90 | 200 |
| 26 | 444,0 | 421,44 | 180 | 40 | 90 | 200 |
| 27 | 460,0 | 437,59 | -   | -  | -  | -   |
| 28 | 476,0 | 453,69 | 180 | 40 | 90 | 200 |
| 29 | 492,0 | 469,85 | -   | -  | -  | -   |
| 30 | 508,0 | 486,00 | 180 | 40 | 90 | 200 |
| 31 | 525,0 | 502,13 | -   | -  | -  | -   |
| 32 | 541,0 | 518,27 | 200 | 40 | 90 | -   |

